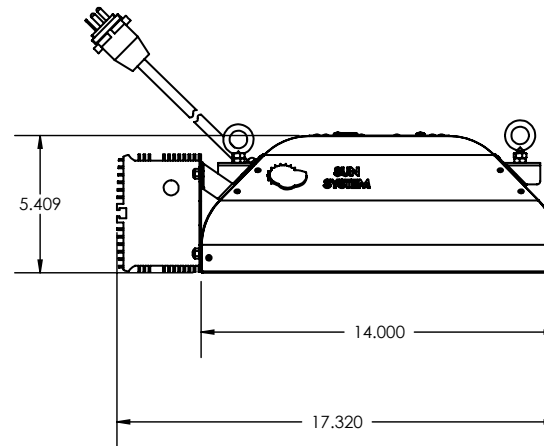
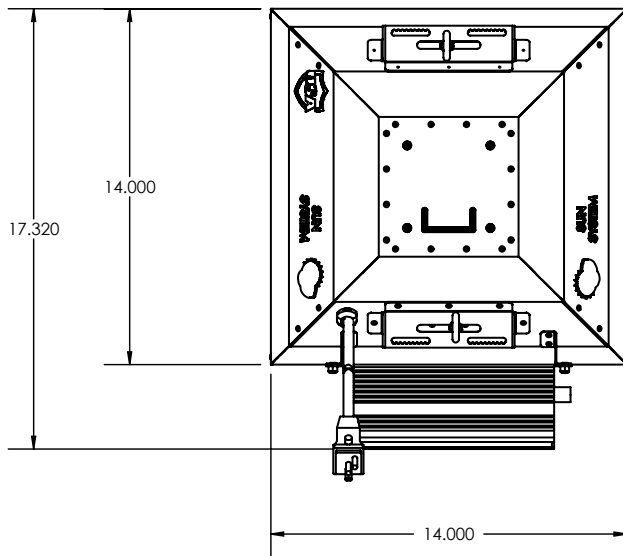


# SPECIFICATIONS

Item #906622 & #906625



# Sun System® LEC® 315 Watt Boss Comm Fixture 277 Volt



# Sun System® 1

This document is not intended to be used for installation purposes. We cannot cover all specific applications or anticipate all requirements. All specifications are subject to change without notice.

• = yes

•	CSA LISTED
	Tested to UL Standard #1598 Tested to CSA Standard C22.2 No. 74
•	FCC CERTIFIED
•	FABRICATED IN USA*
<b>LAMP COMPATIBILITY</b>	
•	CDM-T LIGHT EMITTING CERAMIC® BRAND
	Lamp Wattage: 315
<b>TRANSFORMER VOLTAGE</b>	
	120 / 208 / 240
	240 ONLY
•	277 ONLY
<b>AMPS AT 120V POWER: N/A</b>	
<b>AMPS AT 208V POWER: N/A</b>	
<b>AMPS AT 240V POWER: N/A</b>	
<b>AMPS AT 277V POWER: 1.25</b>	
<b>POWER SOURCE Hz: 50/60</b>	
<b>POWER FACTOR (cosφ): &gt; 0.99</b>	
<b>AMBIENT TEMPERATURE: 40°C</b>	
<b>TOTAL HARMONIC DISTORTION: &lt; 10%</b>	
<b>POWER CORD</b>	
	DETACHABLE CORD W/ 120 VOLT & 240 VOLT PLUGS
•	HARD WIRED 277 VOLT w/ L7-15p TWIST LOCK PLUG
<b>LAMP CORD RECEPTACLE COMPATIBILITY</b>	
	DUAL UNIVERSAL
•	SUN SYSTEM ONLY
<b>WARRANTY</b>	
	2 YEAR
•	3 YEAR
	5 YEAR

\* with US and globally sourced parts