

ARCHON DE SYSTEM

Double-Ended (DE) Lamp Grow Light System

The ARCHON DE featuring the addition of the SafeDElock™ socket (Patent No. 10,720,741 and 10,873,169) is an upgraded design from our original HDE reflector family. The optical design of the reflector is unique when compared to competitive products. The fine hammertone texture provides more reflective surface area resulting in more intense uniformity than large hammertone reflectors. Photometric performance was increased by reducing the space between the lamp and reflector intersection, minimizing light loss. The reflector was designed with the grower in mind for ease of use and superior yielding performance.

Growlite's team of engineers have developed a patented industry leading socket design that provides safety from electrical shock and ensures the accurate installation of the lamp. The lamps are easily installed in the SafeDElock™ socket from the top of the unit and require the user to rotate the lamp 172° to initiate an electrical/power connection. The SafeDElock™ socket also eliminates the risk of arcing inside the socket due to improper installation.



Patent No. 10,720,741
Patent No. 10,873,169

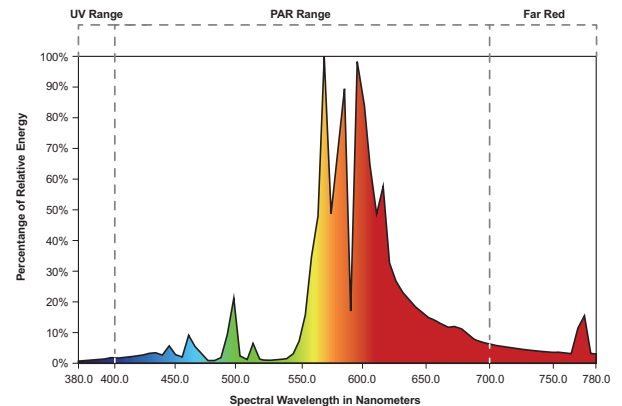


**AVAILABLE WHILE
SUPPLIES LAST**
GLH-HDE-E-UL-1000-HPS-240/277
& GLB-1000-DE-240/277
(REFLECTOR and BALLAST ONLY)



FEATURES

- Compact reflector design maximizes DE lamp performance and photometric control
- 95% Reflective aluminum with fine hammertone texture increases intensity and uniformity
- SafeDElock™ socket (Patent No. 10,720,741 and 10,873,169) ensures safe installation of the lamp, eliminating shock and fire hazards which are common with standard DE sockets
- Installation of DE lamps from the top of the unit allows for easier and safer work environment
- Remote ballast mounting capability (15 feet)
- 825W, 750W and 600W Dimmable settings
- 1150W Overdrive setting
- External control capability (controls sold separately)
- Staggered start ignition
- LED display with status indicator
- Universal “Stingray” ballast bracket allows for integral vertical or horizontal ballast mounting (included in system or as an independent accessory)



ORDERING INFORMATION

Example: GLH-HDE-E-UL-1000-HPS-240/277

System/Configuration**	Description	Weight
GLH-HDE-E-UL-1000-HPS-240/277*	Archon DE Reflector, 1000W HPS DE lamp, 1000W DE ballast, Ballast Mounting Plate	
Individual Products	Description	Weight
GLH-HDE-E-UL	Archon DE Reflector	4.5 lbs (2.0kgs)
GLL-1000-HDEL-HPS	1000W HPS DE lamp	1.0 lbs (0.45kgs)
GLB-1000-DE-240/277	1000W DE ballast 240/277VAC	9.9 lbs (4.49kgs)
GLA-STINGRAY	Ballast Mounting Plate	2.0 lbs (0.91kgs)

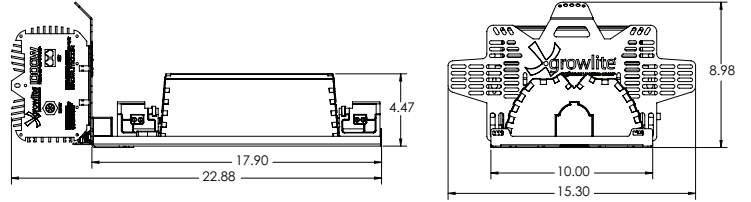
*Consult factory for additional accessories

**System components ship in individual packaging; please consult the factory for a single packaging solution

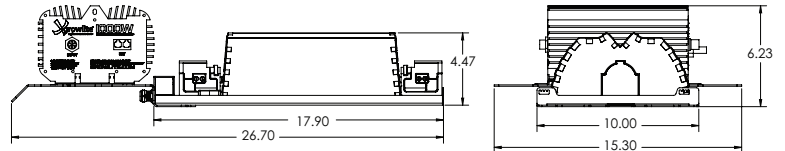
SPECIFICATIONS

REFLECTOR ([GLH-HDE-E-UL](#))

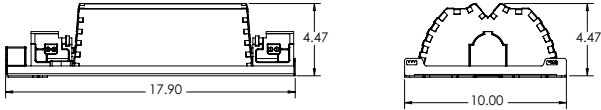
- SafeDElock™ socket (Patent No. 10,720,741 and 10,873,169) ensures safe installation of the lamp, eliminating shock and fire hazards which are common with standard DE sockets
- Constructed of heavy-duty 22 gauge steel
- 12" 16AWG ballast connector for integral ballast mount
- 15' 16AWG lamp to ballast extension cord for remote ballast mount
- One (1) pair of V-Hooks for mounting included
- Five Year Warranty (Terms and Conditions Apply)



INTEGRAL VERTICAL MOUNTED BALLAST



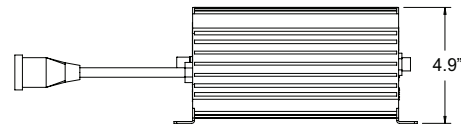
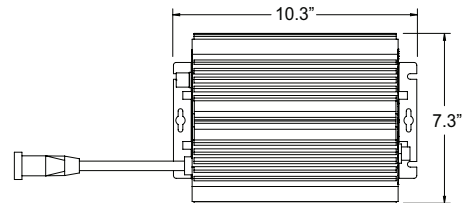
INTEGRAL HORIZONTAL MOUNTED BALLAST



REFLECTOR ONLY

1000W DE BALLAST ([GLB-1000-DE-240/277](#))

- Operates SE and DE 1000W lamps only
- 825W, 750W and 600W dimmable settings
- 1150W Overdrive setting
- External control capability (Controls sold separately)
- Staggered start ignition
- 240/277VAC Voltage sensing input
- 6' 240VAC Line cord with plug
- Standard S-Type lamp connector
- Three Year Warranty (Terms and Conditions Apply)

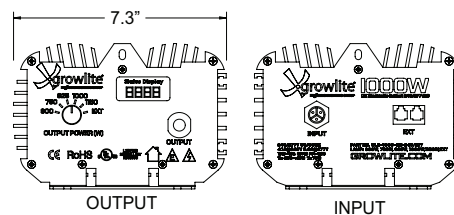


PERFORMANCE

- Rated Voltage: 240/277VAC
- Input Frequency: 50/60Hz
- Ambient operating temperature (TA): -20°C to +40°C (-4°F to +104°F)
- Total Harmonic Distortion (THD): <10%
- Current draw: 4.50A @ 240VAC, 3.80A @ 277VAC
- Inrush Current: 40A
- Operates > 100kHz

PROTECTIONS

- Short circuit
- Ignition failure
- Thermal Protection
- Over voltage
- Hot Re-strike
- Open circuit
- End of Lamp Life
- Soft-start
- Under-voltage

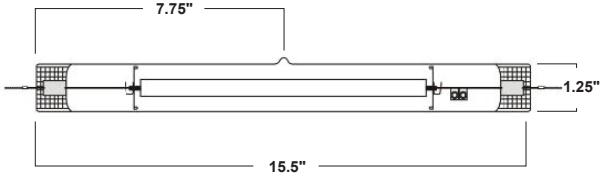


SPECIFICATIONS

1000W HPS DE LAMP ([GLL-1000-HDEL-HPS](#))

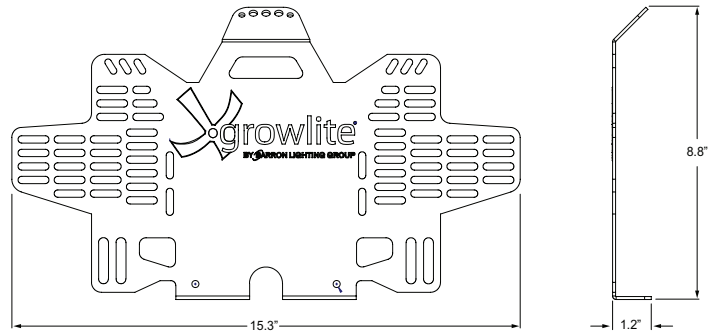
PHYSICAL DATA / REQUIREMENTS

- Lamp Wattage: 1000W
- PPF: 2,000 $\mu\text{mol/s}$
- Initial Lumens: 144,400
- Color Temperature: 2,000K
- Burning Position: HORIZONTAL $\pm 15^\circ$
- Bulb Designation: T10
- Fixture Rating: Open
- One Year Warranty (Terms and Conditions Apply)



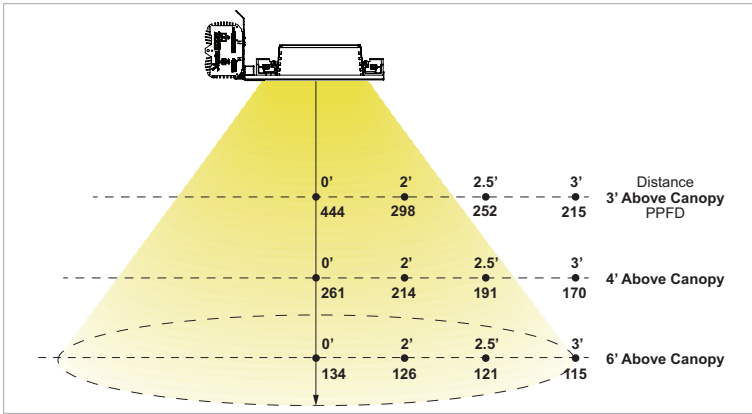
BALLAST MOUNTING PLATE (GLA-STINGRAY)

- Standard removable universal ballast bracket allows for integral vertical or horizontal mounting of ballast



(included in system or as an independent accessory)

LIGHT DISTRIBUTION PERFORMANCE



Mounting height varies depending on the application. Performance data generated operating one (1) 1000W HPS DE lamp ([GLL-1000-HDEL-HPS](#)).