

PISCES

Fixture Datasheet



FUTURE OF HORTICULTURAL
SCIENCE + ENGINEERING

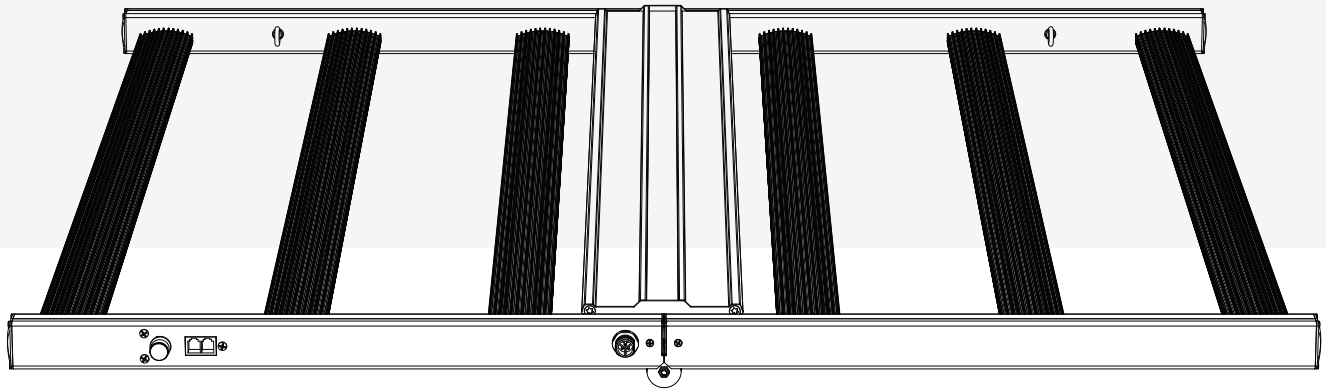


FÖHSE™

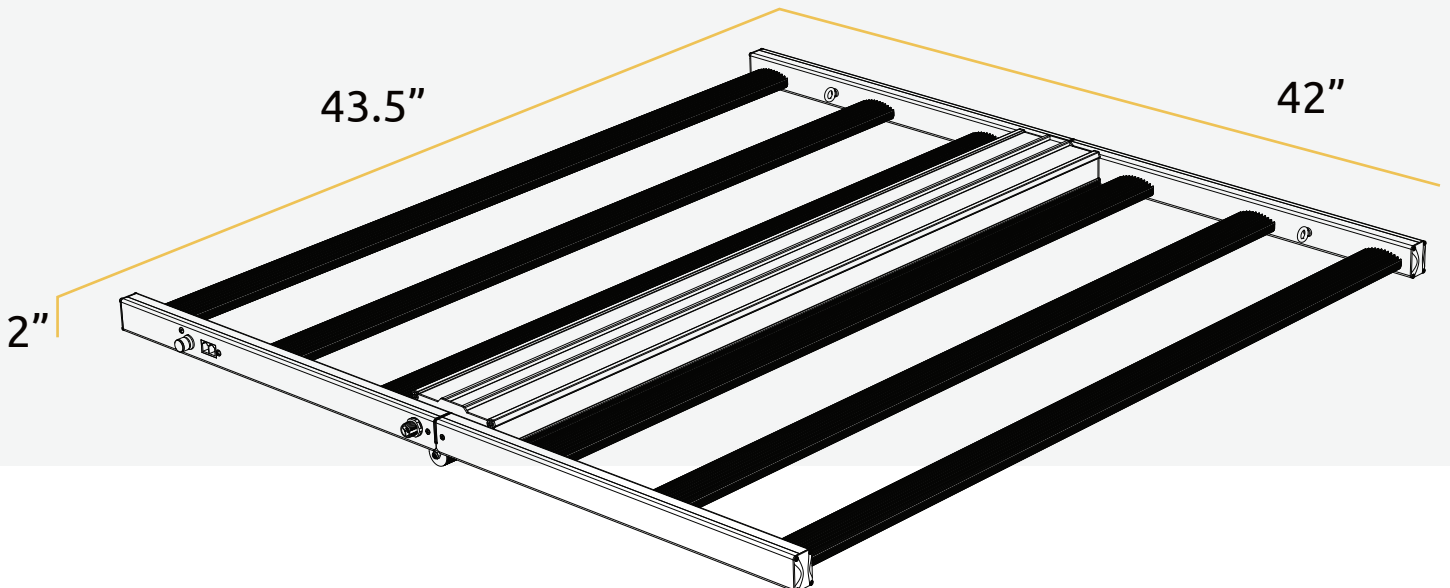
PISCES 7

Fixture Datasheet

WEIGHT



DIMENSIONS



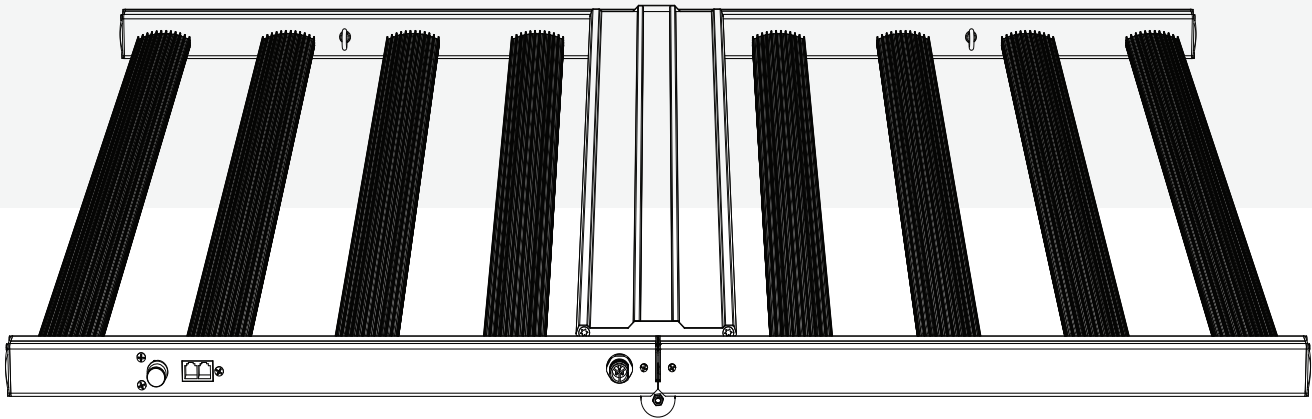
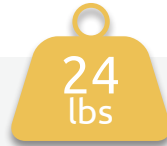


FÖHSE™

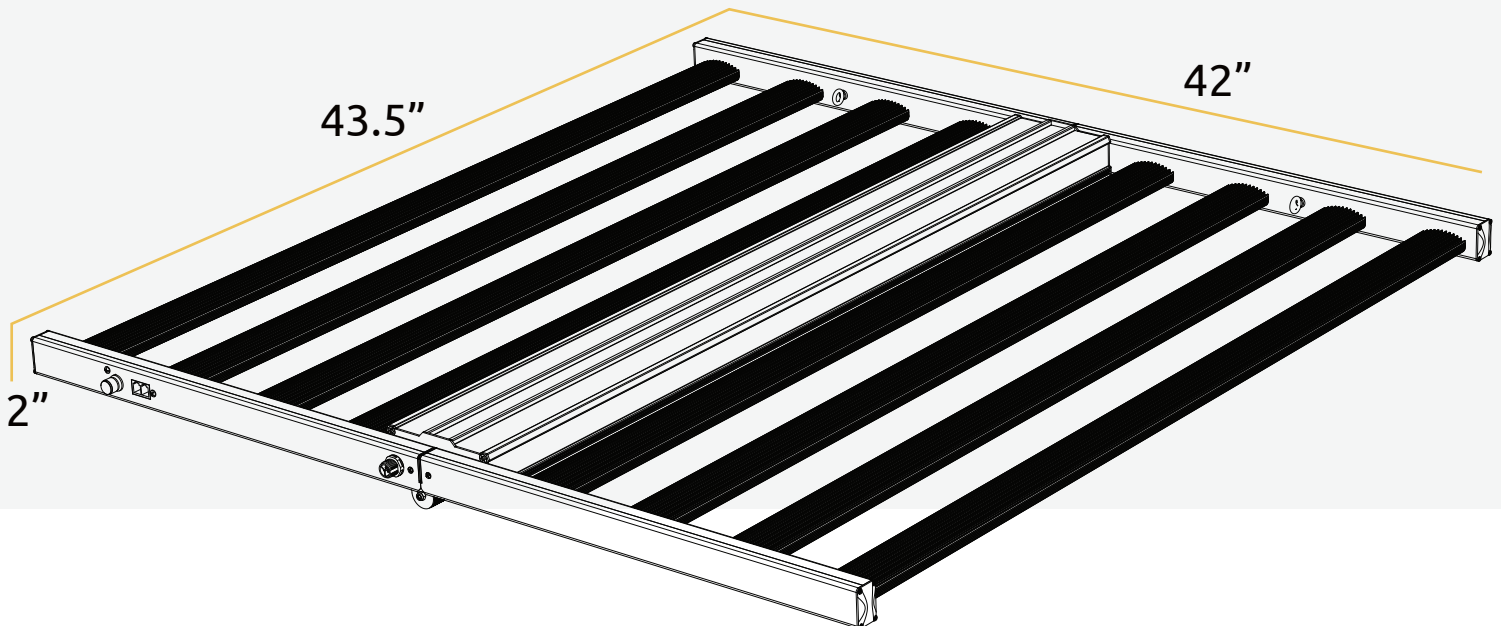
PISCES 9

Fixture Datasheet

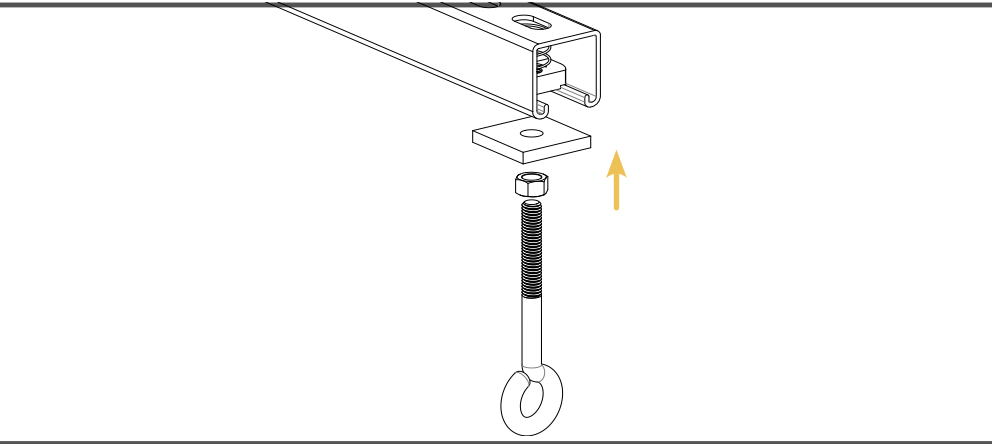
WEIGHT



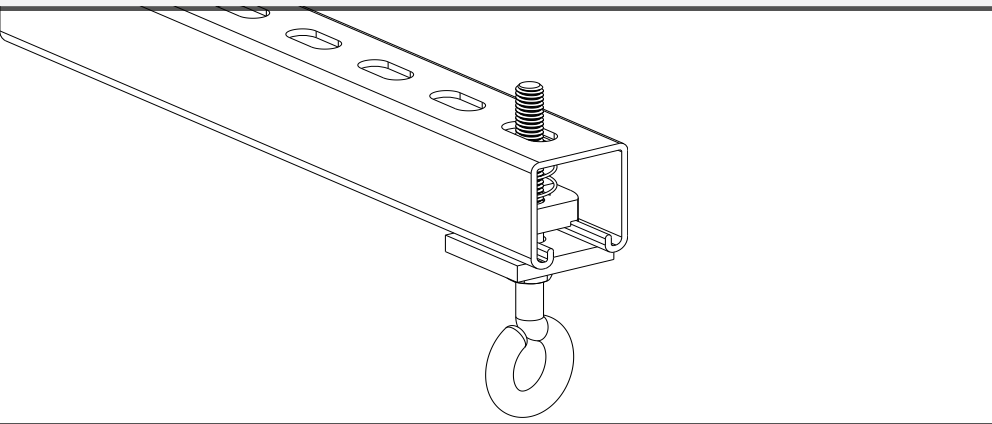
DIMENSIONS



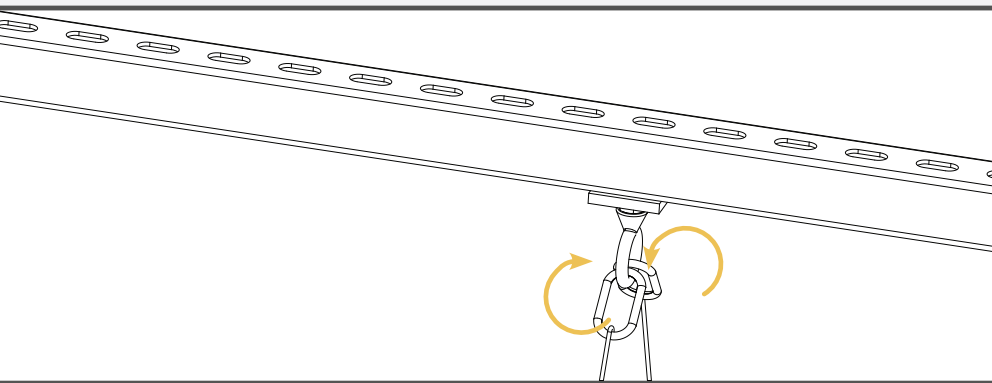
HANGING INSTALLATION



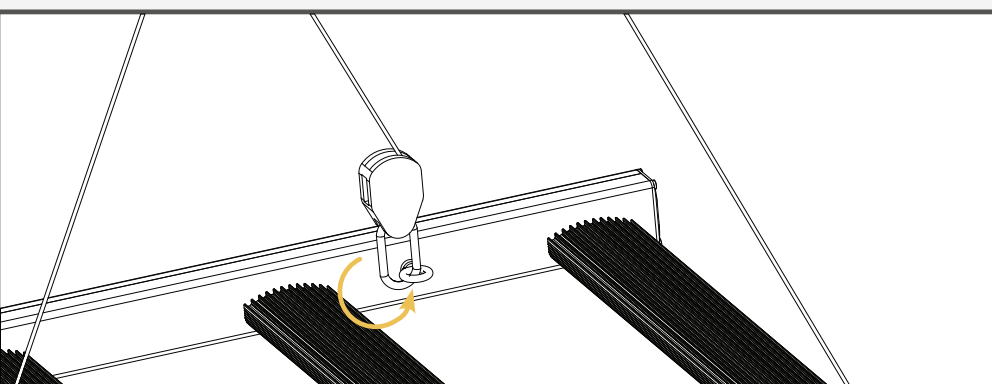
Position an eyebolt, matching nut, square washer plate, and spring nut under a channel as pictured. Note: Spring nuts with an eyebolt can also be used in this fashion.



Fasten the hardware securely and repeat to create two points of contact from which the fixture will hang.

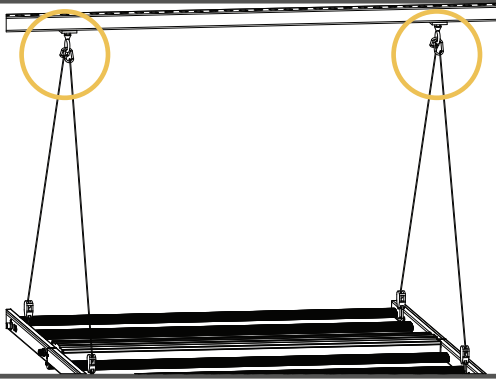


Hook the carabiner clips into the eyebolt with the ratchet pulley end hanging freely.



Hook the ratchet pulley end with carabiner clip into the hanging ring on the fixture. It's helpful to have another person hold the fixture while the other uses the extra length of the cord to adjust the fixture's height.

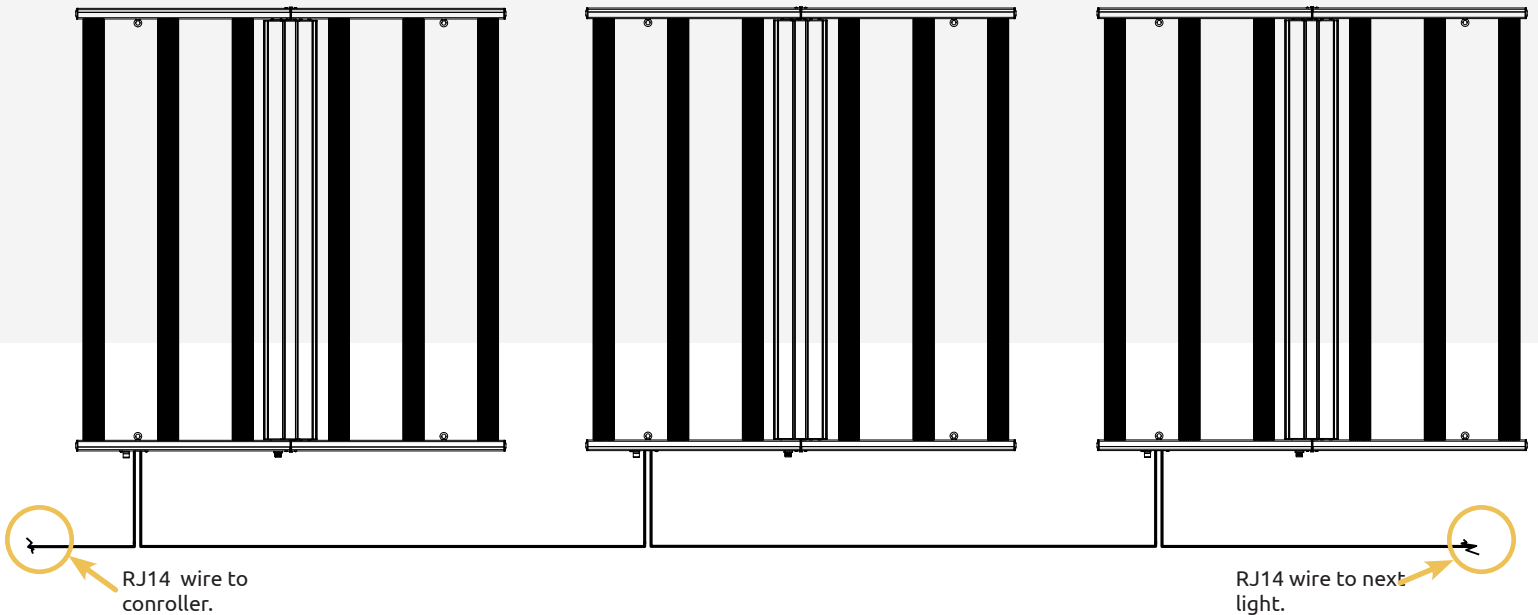
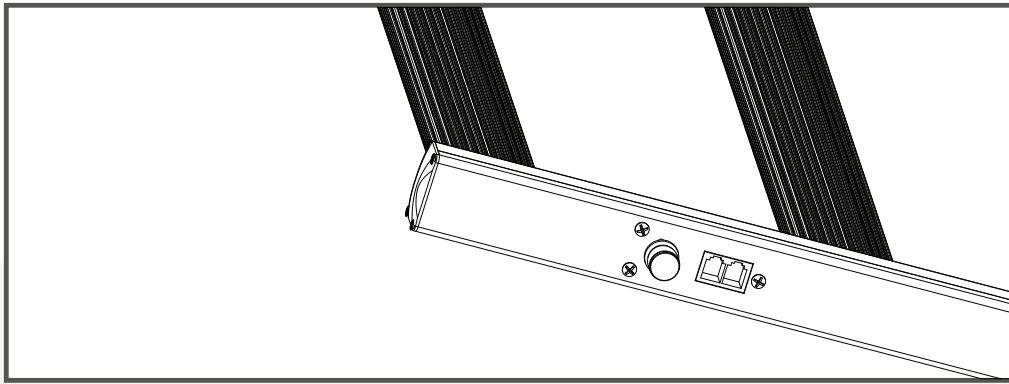
HANGING INSTALLATION (cont.)



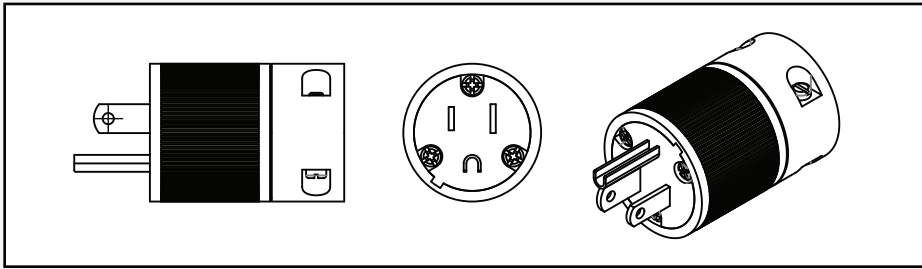
The Pisces fixture is best to hang by two or four points of contact.

DAISY CHAINING

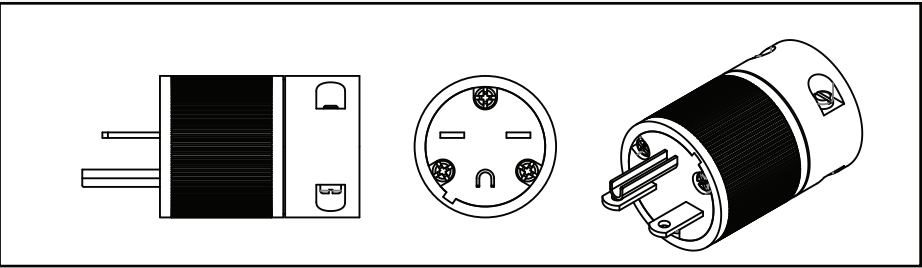
Daisy chain your fixtures using an RJ14 wire with a controller that has 0-10v output by connecting directly from the controller into the first RJ14 port on the first fixture. The second port can then be connected to the next fixture's first port, and so on.



PLUG TYPES

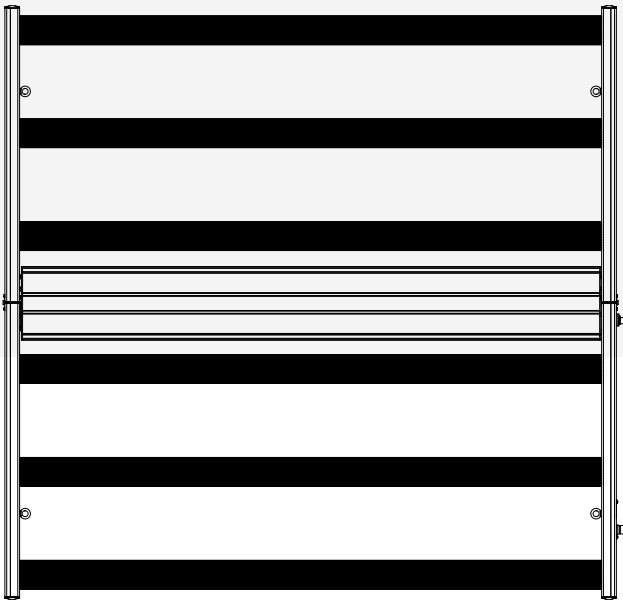


5-15 plug adaptor
(included)
for up to 125vac



6-15 plug
for up to 250vac

POWER



10'- 0" power cable



Voltage options:

100vac - 277vac