

Quest 165 and 225 Dual

High-Efficiency Dehumidifiers

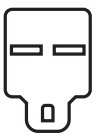

1.877.420.1330
www.QuestClimate.com



PATENTS:
D570,988
8,069,681



Specifications @ 80°F and 60% RH:

Unit:	4037410 165 Dual	4035400 225 Dual
Blower: (Tested with duct collars on)	391 CFM @ 0.0" WG 363 CFM @ 0.2" WG 337 CFM @ 0.4" WG	526 CFM @ 0.0" WG 495 CFM @ 0.2" WG 458 CFM @ 0.4" WG
Power (Watts):	860	1500
Supply voltage:	220-240 VAC - 1 Phase - 60 Hz.	220-240 VAC - 1 Phase - 60 Hz.
Current Draw (Amps):	3.6	6.9
Energy Factor:	3.7 L/kWh	2.9 L/kWh
Operating Temp:	56°F - 95°F	56°F - 95°F
Water Removal (Pints/Day):	165	225
Efficiency (Pints/kWh):	7.8	6.1
Air Filter (MERV-11 Nominal):	Size: 16" x 20" x 2"	Size: 16" x 20" x 2"
Power Cord: 10' 14/3 SJTW	NEMA 6-15P 	NEMA 6-15P 
Drain Connection:	3/4" Threaded NPT	3/4" Threaded NPT
Refrigerant Type: Refrigerant Amount:	R410A 2lb. 0oz.	R410A 2lb. 0oz.
Dimensions:	Unit Shipping	Unit Shipping
Width:	20.25" 25"	20.25" 25"
Height:	21.75" 29"	21.75" 29"
Length:	37.88" 42"	37.88" 42"
Weight:	140 lbs 160 lbs	160 lbs 180 lbs

*Optional Accessories can be found on website or manual