

PERFORMANCE

°F %RH	80 60	75 50
Water Removal (P/Day)	506	349
Efficiency (P/kWh)	8.1	6.2
Energy Factor (L/kWh)	3.8	2.9

ELECTRICAL

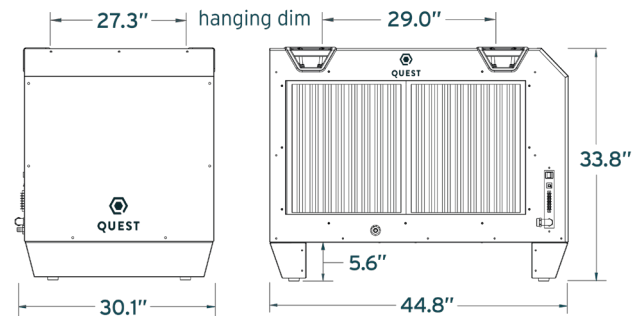
°F %RH	80 60
Supply Voltage	277V
Current Draw	10.0A
Recommended Breaker Size	25A
Power	2,700W
Power Cord	NEMA L7-20P
CFM	1,350
BTU (Total)	31,900
BTU (Heat of Condensation)	23,000
BTU (Motor Load)	8,900

SPECS

Control Type	External control required (not provided)
Refrigerant Type	R410a
Refrigerant Amount	4 lb 8 oz
Weight	280 lb
Air Filter MERV Rating	MERV-13
Dimensions	18" x 20" x 2"
Drain Port Connection	3/4" Threaded NPT
Operating Temperature	56 F Min.-95 F Max.



DIMENSIONS



FEATURES

- + **Patented Coil Technology:** Achieves highest efficiency available in its class
- + **Superior MERV-13 filtration:** Removes more harmful contaminants from the air, such as mold, bacteria, and virus carriers
- + **Integrated handles and hanging points** for easier movement and installation
- + **Low amp draw,** freeing up electricity for other equipment
- + **Auto-restart** after loss of power

Specifications are subject to change without notice. Drawings are not to scale.