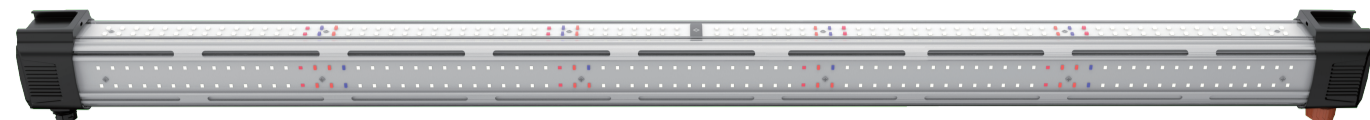


# ICL-300

4' Inner Canopy LED Bar with Built-in 120 Watt Driver

The ThinkGrow Model One LED System 4ft Inner Canopy LED Bar with built-in 120 Watt Driver, will revolutionize high-density indoor growing. When applying light to plants only from above the plants, leaves and sections of the plant below the top "canopy" of the plant suffer from low light levels. That is the exact problem the ICL-300 is designed to fix. The ICL-300 emits light in a 300 degree pattern so that when positioned below the canopy, the sections of the plant under the canopy can also get the light they need to produce higher quality and yields. By applying some light to the middle of the plant structure, the user can eliminate lower quality flower formation and replace it with healthy flowers. The modular design of the ICL-300 allows them to be used in all installations regardless of the shape or size of the growing area.



## Specifications

ICL-300

### PPF

PPF >314 umol/s

### Input Power

Input Power 120W

### Voltage:

Voltage 100-277VAC, 50/60Hz

### Lifetime

Lifetime L90:> 54,000 hrs

### IP Water Resistance

IP IP66

### Warranty

Warranty 5 Years Standard Warranty

### Working Environments

Temperature 32-104°F (0-40°C)

Humidity 5~95%RH

### Dimensions/Weight

Size 46.21"(L) x 3.60"(W) x 2.64"(H)

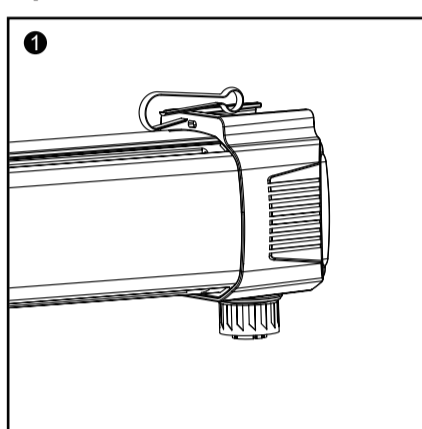
Gross Weight 6.17lbs /2.8kg

## Installation Guide

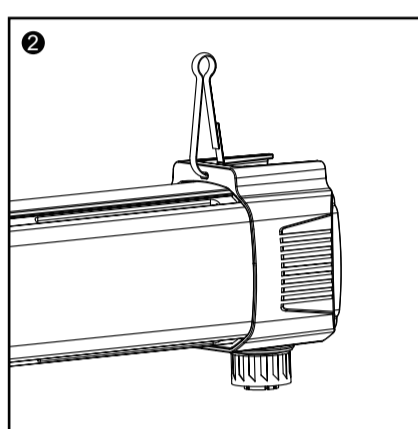
ICL-300

### ICL-300 Installation Guide

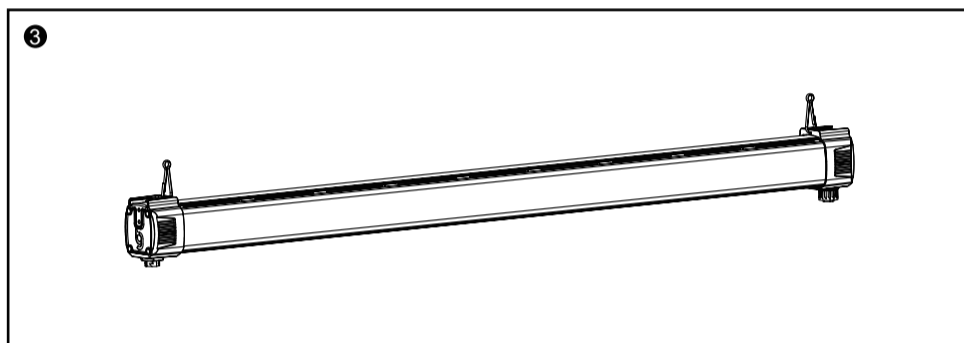
#### Option 1



1. Put the hooks into the holes on both sides of the light bar.

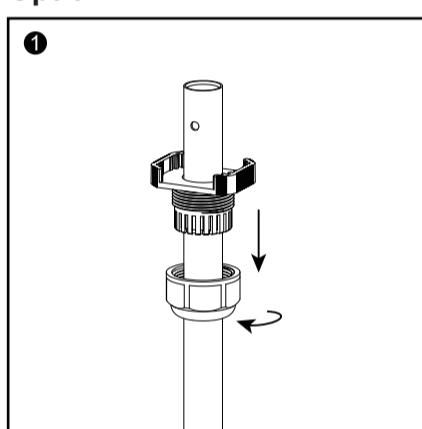


2. Place the hooks horizontally.

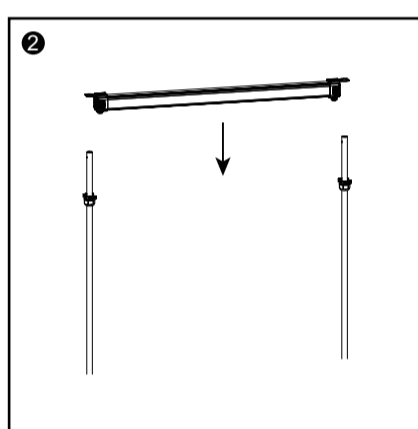


3. Hooks installation complete.

#### Option 2

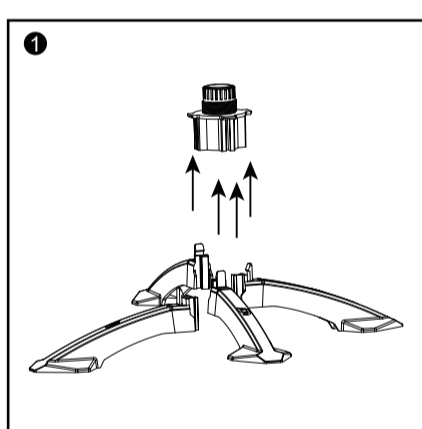


1. Users can prepare two tubes for ICL-300 installation by themselves. Loosen the screw cap on the adjustment knob, let the tubes pass through the screw cap. Adjust the desired position and tighten the screws.

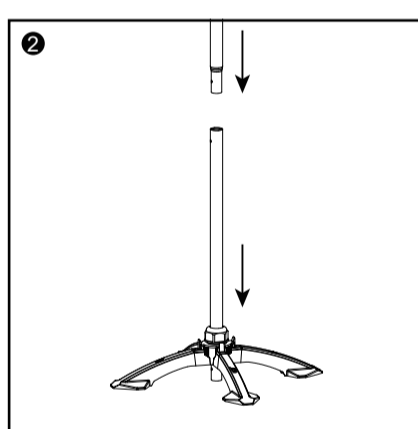


2. Install the light bars by locking the holes on its both sides with the tubes.

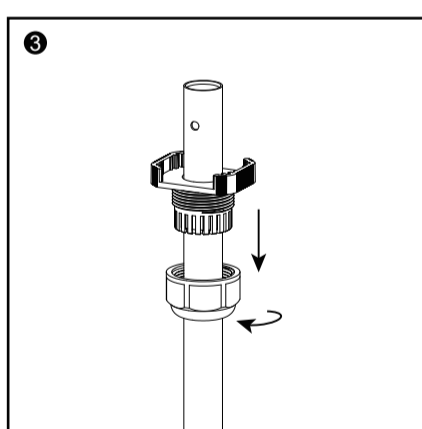
#### Option 3



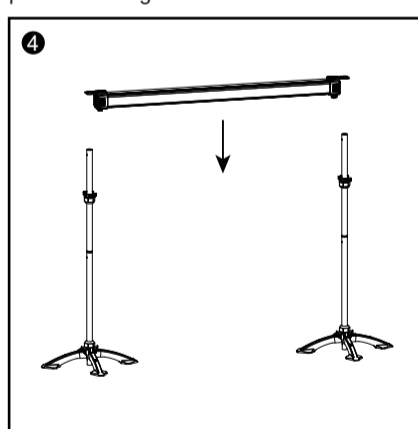
1. Take out the four stand legs of TSD-1, lock the suspension rack with the legs.



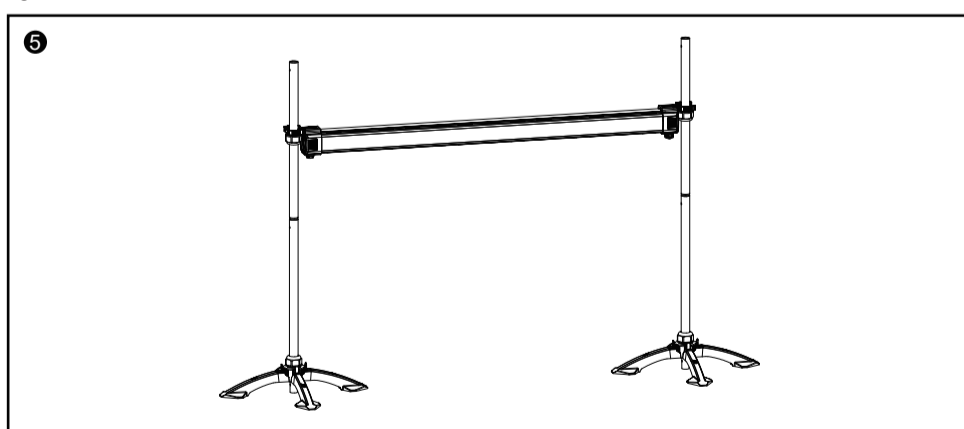
2. Loosen the screw cap, let the aluminium tube pass through the screw and put into the suspension rack. Adjust the the desired position and tighten the screw.



3. Loosen the screw cap on the adjustment knob, let the aluminium tube pass through the screw cap and put into the adjustment knob. Adjust the the desired position and tighten the screw.



4. Install the light bars by locking the holes on its both sides with the stands.



5. At the end, push and shake the stand lightly to see whether it is steady. If yes, installation completes.

\*TSD-1 ThinkGrow LED Stand with Adjustable Height for ICL-300 (Single Unit) is not included in ICL-300 package contents but optional for users to buy and install the ICL-300.

