

ECOTRONIC



GENERAL DATA

Applications

ECOTRONIC 110, 120 & 130 ECOJET self priming single impeller pump fitted with the Hydrotronic pump control system
ECOTRONIC 230, 240 & 250 ECOPLUS self priming multistage pump (with 2,3 or 4 impellers) fitted with the Hydrotronic pump control system to supply water for systems including

- Pressure Boosting
- * Residential Homes
- * Farming Applications
- * Residential Irrigation
- * Garden Irrigation Drip/Low Flow
- * Hydroponics
- * Rain Water Harvesting
- * Water Supply from Shallow Wells

F version supplied with 5" filter housing and filter cartridge

Constructional features of the pump .

Technopolymer pump body and motor support.

Carbon/ceramic mechanical seal.

Technopolymer impeller, diffuser, venturi and nozzle in ECOJET

Technopolymer impeller, diffuser, self-priming disc in ECOPLUS

Construction of the motor

Induction motor, closed and cooled with external ventilation.

Rotor mounted on oversized greased sealed-for-life ball bearings to ensure silent running and a long life.

Built-in thermal and current overload protection on ECOTRONIC 110 & 230

Built-in thermal and resettable overload protection on ECOTRONIC 120, 130, 240 & 250

Motor protection: NEMA 3

Insulation class: F

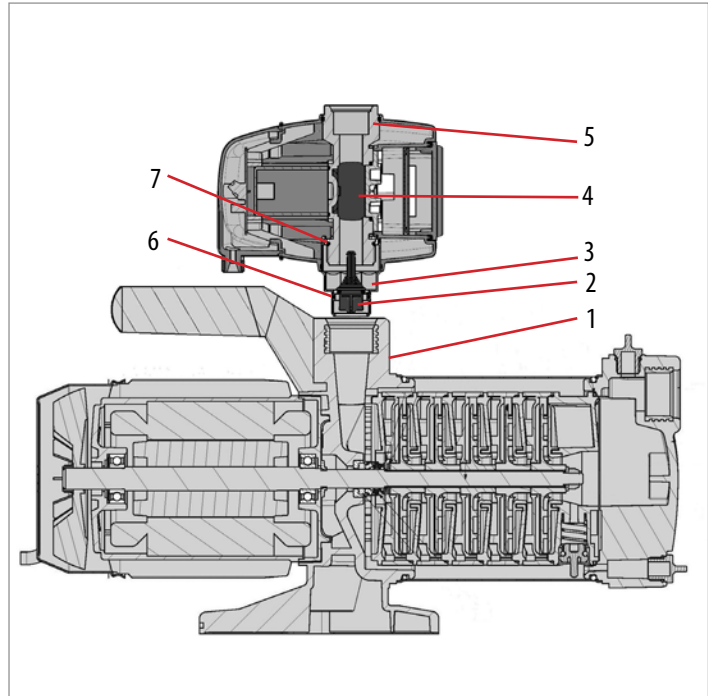
Standard voltage: 115v 60Hz

TECHNICAL DATA

MATERIALS

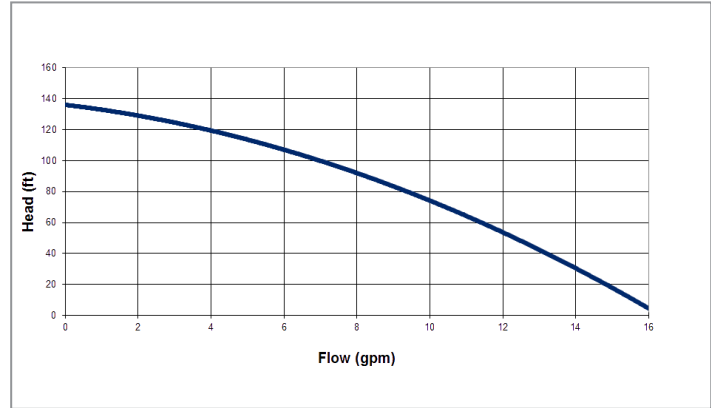
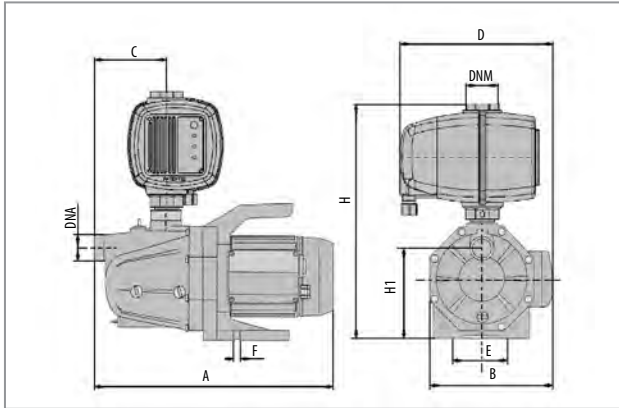
N°	PARTS*	MATERIALS
1	PUMP	SEE ECOJET 110, 120, 130 SEE ECOPLUS 230, 240, 250
2	NON-RETURN VALVE	TECHNOPOLYMER
3	VALVE BODY	TECHNOPOLYMER
4	FLOW SENSOR	TECHNOPOLYMER
5	FLOW SENSOR BODY	TECHNOPOLYMER
6	OR GASKET	NBR
7	OR GASKET	NBR
15	BODY	TECHNOPOLYMER

* In contact with liquid



Operating Range:	ECOTRONIC 110 to 130 From 1 to 21gpm with a head up to 164ft (71 psi) ECOTRONIC 230 to 250 From 1 to 27gpm with a head up to 197ft (85 psi)
Liquid quality requirements:	clean, free from solids or abrasive substances, non viscous, non aggressive, non crystallized, chemically neutral, close to the characteristics of water
Liquid temperature Range:	From 32°F to 104°F
Maximum suction depth	26 ft
Maximum ambient temp.	104°F
Maximum operating pressure	116 psi
Installation:	fixed or portable in a horizontal position
Special version on request	other voltages and/or frequencies

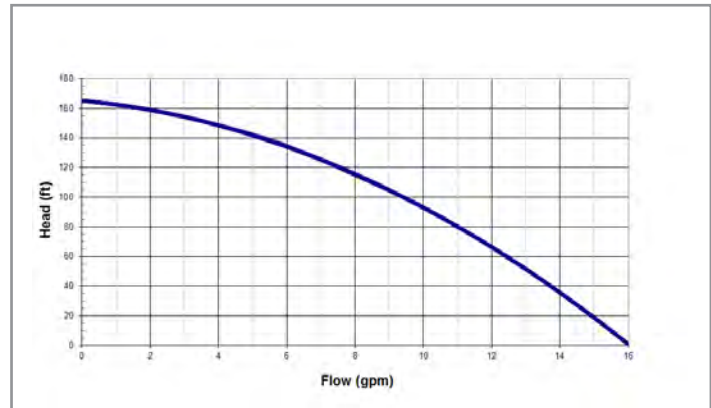
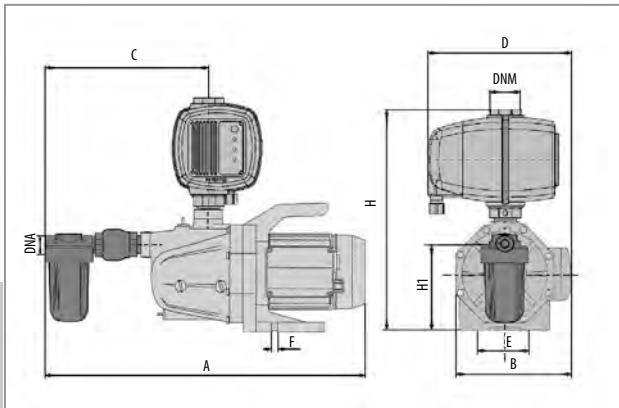
ECOTRONIC 110



MODEL	A	B	C	D	E	F	H	H1	DNA	DNM	Weight
ECOTRONIC 110	15 3/4"	8 3/4"	4 5/8"	9 1/2"	5 3/4"	3/8"	15 1/2"	6 1/2"	1" NPT	1" NPT	26.4 lbs

MODEL	ELECTRICAL DATA				HYDRAULIC DATA			
	Voltage 60Hz	P1 Watt Hp		In A	Start Pressure	MAX Flow	Max Head	Max Pressure
ECOTRONIC 110	115v	800	1/2	8.0	23 psi	16 gpm	138 ft	60 psi

ECOTRONIC 120 F

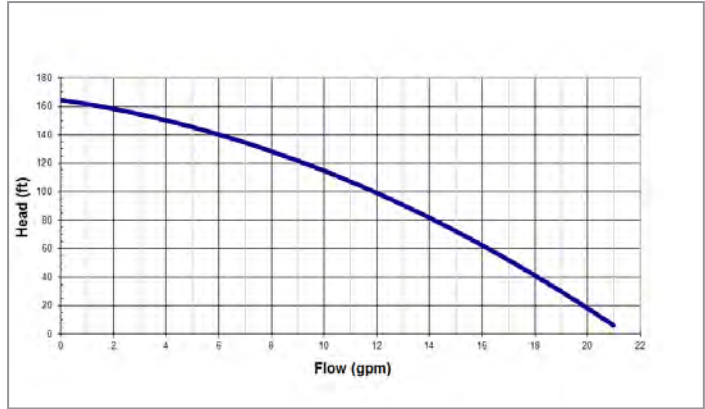
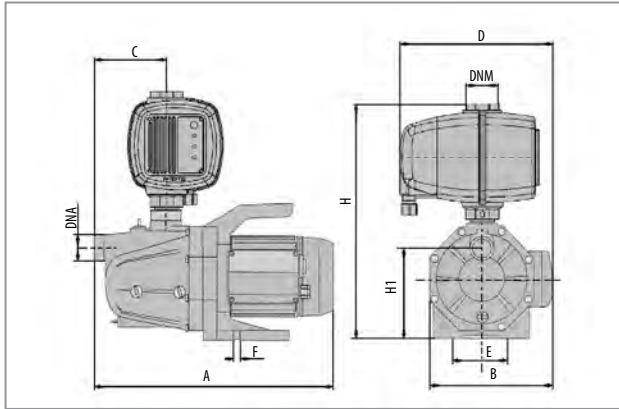


MODEL	A	B	C	D	E	F	H	H1	DNA	DNM	Weight
ECOTRONIC 120 F	22 3/4"	8 3/4"	11 5/8"	9 1/2"	5 3/4"	3/8"	15 1/2"	6 1/2"	1" NPT	1" NPT	29.5 lbs

MODEL	ELECTRICAL DATA				HYDRAULIC DATA			
	Voltage 60Hz	P1 Watt Hp		In A	Start Pressure	MAX Flow	Max Head	Max Pressure
ECOTRONIC 120 F	115v	1000	3/4	10.0	23 psi	16 gpm	164 ft	71 psi

* IF version supplied with a 5" filter housing and sediment filter housing.

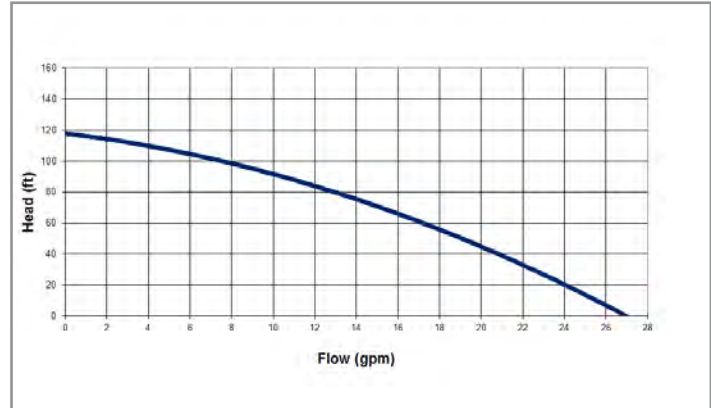
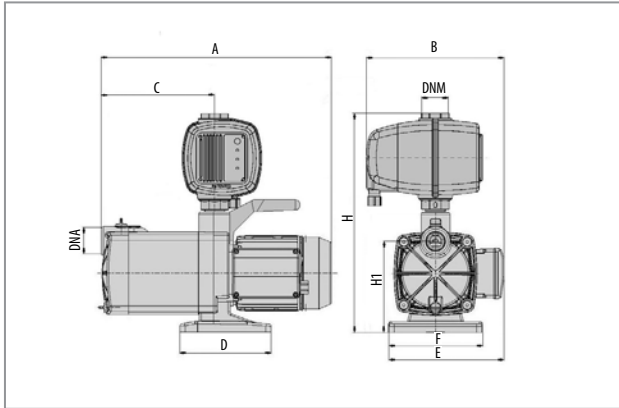
ECOTRONIC 130



MODEL	A	B	C	D	E	F	H	H1	DNA	DNM	Weight
ECOTRONIC 130	15 3/4"	8 3/4"	4 5/8"	9 1/2"	5 3/4"	3/8"	15 1/2"	6 1/2"	1" NPT	1" NPT	27.2 lbs

MODEL	ELECTRICAL DATA				HYDRAULIC DATA			
	Voltage 60Hz	P1		In A	Start Pressure	MAX Flow	Max Head	Max Pressure
		Watt	Hp					
ECOTRONIC 130	115v	1250	1	13.0	23 psi	21 gpm	164 ft	71 psi

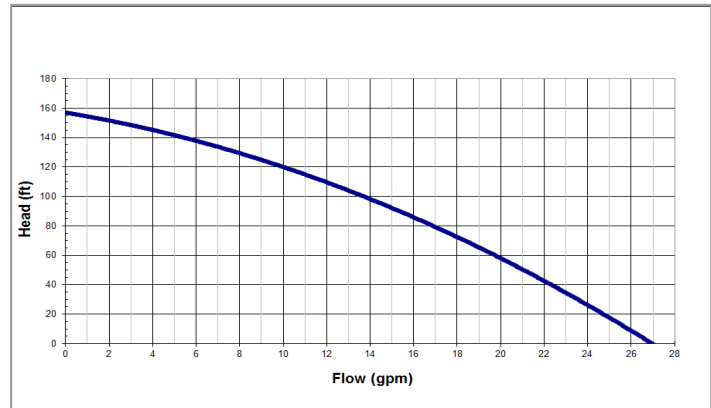
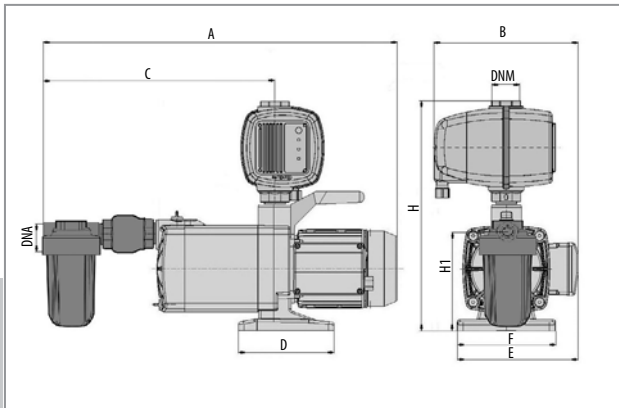
ECOTRONIC 230



MODEL	A	B	C	D	E	F	H	H1	DNA	DNM	Weight
ECOTRONIC 230	16 1/8"	9 1/2"	7 1/8"	6 3/4"	8 1/2"	5 5/8"	15 3/8"	5 5/8"	1" NPT	1" NPT	26.4 lbs

MODEL	ELECTRICAL DATA				HYDRAULIC DATA			
	Voltage 60Hz	P1 Watt Hp		In A	Start Pressure	MAX Flow	Max Head	Max Pressure
ECOTRONIC 230	115v	800	1/2	7.5	23 psi	27 gpm	118 ft	51 psi

ECOTRONIC 240 F

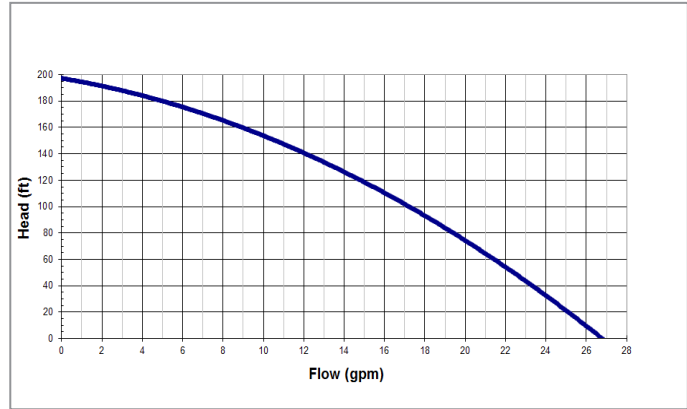
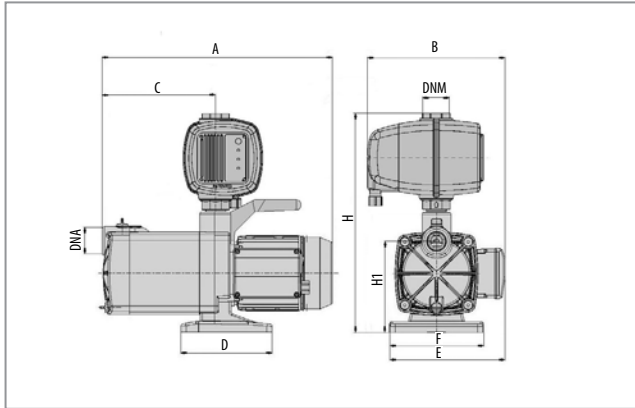


MODEL	A	B	C	D	E	F	H	H1	DNA	DNM	Weight
ECOTRONIC 240 F	24"	9 1/2"	15 1/4"	6 3/4"	8 1/2"	5 5/8"	15 3/8"	5 5/8"	1" NPT	1" NPT	29.5 lbs

MODEL	ELECTRICAL DATA				HYDRAULIC DATA			
	Voltage 60Hz	P1 Watt Hp		In A	Start Pressure	MAX Flow	Max Head	Max Pressure
ECOTRONIC 240 F	115v	1000	3/4	10.0	23 psi	27 gpm	157 ft	68 psi

* IF version supplied with a 5" filter housing and sediment filter housing.

ECOTRONIC 250



MODEL	A	B	C	D	E	F	H	H1	DNA	DNM	Weight
ECOTRONIC 250	18 "	9 1/2 "	9 1/4 "	6 3/4 "	8 1/2 "	5 5/8 "	15 3/8 "	5 5/8 "	1" NPT	1 " NPT	27.2 lbs

MODEL	ELECTRICAL DATA				HYDRAULIC DATA			
	Voltage 60Hz	P1		In A	Start Pressure	MAX Flow	Max Head	Max Pressure
		Watt	Hp					
ECOTRONIC 250	115v	1200	1	13.0	23 psi	27 gpm	197 ft	85 psi