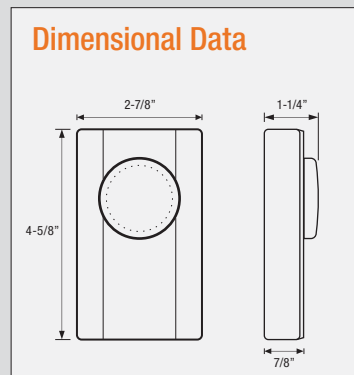


# Line Voltage Thermostat K101, K102 & K101-C



- Clean, beveled style suits any decor
- Sits flush against wall
- Includes °C and °F control dials
- Bi-metal mechanical sensing element
- Operates 41° - 90° F ( 3°- 32°C)
- Mounts directly to a 2x4 inch vertical electrical outlet box
- Large knob allows easy adjustment to all temperatures
- Single or Double Pole (positive off) available
- No ground wire design
- 1-year limited warranty



## The K101 & K102 Series Thermostats

The K101 & K102 Series thermostats have a larger, more sensitive, mechanical bi-metal sensor that improves temperature accuracy to  $\pm 3^\circ$  F. This feature achieves a better comfort level with a reduced temperature swing as compared to economy models. Modern appearance with large knob for easy adjustments. No ground wire required, making installation fast and easy.

## The K101-C Cooling Thermostat

The K101-C cooling thermostat has a larger, more sensitive, bi-metal sensor that improves temperature accuracy to  $\pm 3^\circ$  F. This feature achieves a better comfort level with a reduced temperature swing as compared to other mechanical thermostat models. Modern appearance with large knob for easy adjustments. No ground wire required, making installation fast and easy. For cooling only.

### Ordering Information

MODEL	UPC	DESCRIPTION
K101	20576	Single Pole - WHITE
K101-R	20626	Single Pole - WHITE, RETAIL
K101A	20525	Single Pole - ALMOND
K102	20623	Double Pole (Positive Off) - WHITE
K102-R	20627	Double Pole (Positive Off) - WHITE, RETAIL
K102A	20624	Double Pole (Positive Off) - ALMOND
K101-C	20631	Single Pole - WHITE, Cooling Only

### Specifications

**Temperature Range:** 41° F-90° F (5° C- 32° C)

**Accuracy:**  $\pm 3^\circ$  F (1.6°C)

**Max Power:** 2640W@ 120VAC (22A)

**Max Power:** 4576W@208VAC (22A)

**Max Power:** 5280W@ 240VAC (22A)

**Max Power:** 6094W@ 277VAC (22A)

**Sensing Element:** Bi-metal mechanical