



# iL5xc

LED Lighting Solution

MODEL: 2.6

WATTS: 330W

VOLTAGE: 100-277V

200-480V

SKU: IL-5xc26FSG-120

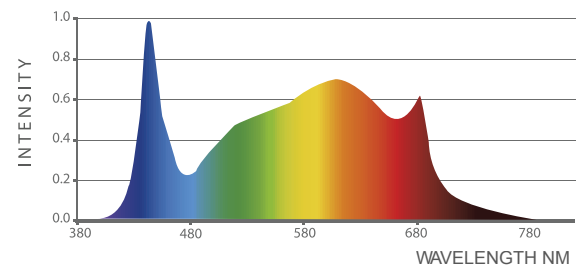
IL-5xc26FSG-480

## TECHNICAL SPECIFICATIONS

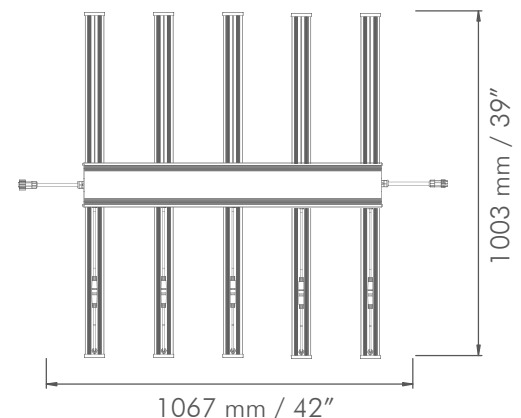
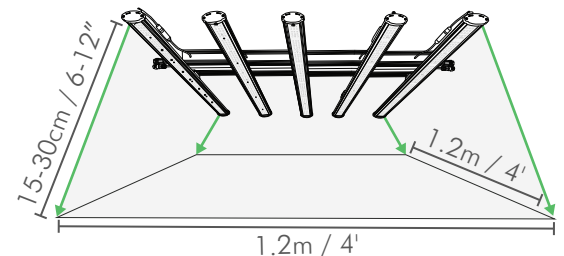
PFF	858 $\mu\text{mol/s}$
Efficacy	2.6 $\mu\text{mol/J}$
Input Current	9.20A
Input Power	330W
Output Voltage	33V
Output Power	303.6W
Min Power Factor	0.9
THD	< 20%
Crest Factor	0.99
BTU	1128
Rated Mains Voltage	120-277V AC / 347-480V AC
Mains Frequency	50 / 60Hz
Dimmable	0-10V Controllable
Ambient Temperature	-20..+45°C
Max. Temperature	75°C/167°F
Relative Humidity	98%
Plug Type	Power Cord Sold Separately
Color Temperature	4000k
Color Rendering Index	88
Finishing Mounting Height	6"-12" to top of Canopy
Emitter Cooling	Passive / Extruded Case
Light Distribution +/- 5%	125°
Waterproof Rating	IP65 for Damp/Wet Conditions
LED Lifespan (90% of Life)	55,000+ hours



## iL5xc 330W LED SPECTRUM



## MOUNTING & COVERAGE



## DAISY CHAIN SPECIFICATIONS

Up to 4 iL5xc fixtures can be connected in a series at 120V.

Up to 8 iL5xc fixtures can be connected in a series at 277V.

## VOLTAGE AND AMPERAGE

120V	2.85A	341W
208V	1.63A	335W
240V	1.41A	332W
277V	1.22A	330W
347V	0.99A	340W
480V	0.71A	331W

## PHYSICAL SPECIFICATIONS

Length	1067mm	42.01"
Width	1003mm	39.49"
Height	129mm	5.08"
Weight	13.5kg	29.76lbs

