



# iL5x

LED Lighting Solution

MODEL: 2.6 WATTS: 440W

VOLTAGE: 100-277V 200-480V

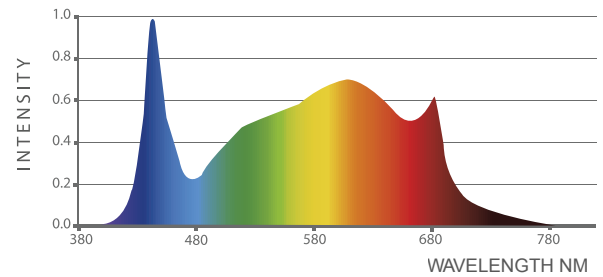
SKU: IL-5x26FSG-120 IL-5x26FSG-480

## TECHNICAL SPECIFICATIONS

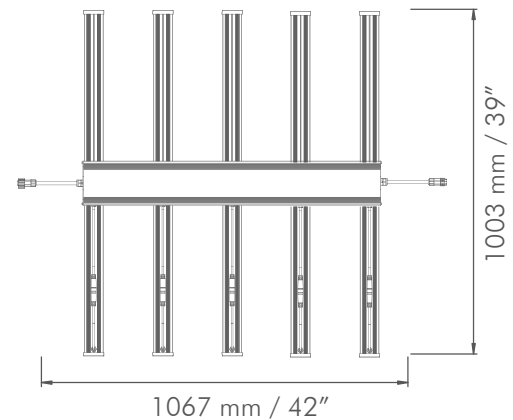
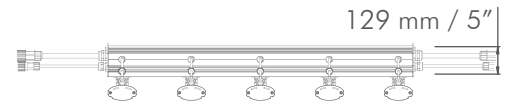
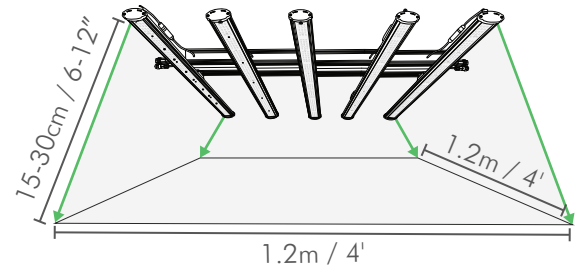
PPF	1144 $\mu\text{mol/s}$
Efficacy	2.6 $\mu\text{mol/j}$
Input Current	12.20A
Input Power	440W
Output Voltage	33V
Output Power	402.6W
Min Power Factor	0.9
THD	< 20%
Crest Factor	0.99
BTU	1460
Rated Mains Voltage	120-277V AC / 347-480V AC
Mains Frequency	50 / 60Hz
Dimmable	0-10V Controllable
Ambient Temperature	-20..+45°C
Max. Temperature	75°C/167°F
Relative Humidity	98%
Plug Type	Power Cord Sold Separately
Color Temperature	4000k
Color Rendering Index	88
Finishing Mounting Height	6"-12" to top of Canopy
Emitter Cooling	Passive / Extruded Case
Light Distribution +/- 5%	125°
Waterproof Rating	IP65 for Damp/Wet Conditions
LED Lifespan (90% of Life)	55,000+ hours



## iL5x 440W LED SPECTRUM



## MOUNTING & COVERAGE



## DAISY CHAIN SPECIFICATIONS

Up to 3 iL5x fixtures can be connected in a series at 120V.

Up to 6 iL5x fixtures can be connected in a series at 277V.

## VOLTAGE AND AMPERAGE

120V	3.78A	452W
208V	2.16A	445W
240V	1.87A	443W
277V	1.63A	440W
347V	1.3A	449W
480V	0.94A	442W

## PHYSICAL SPECIFICATIONS

Length	1067mm	42.01"
Width	1003mm	39.49"
Height	129mm	5.08"
Weight	13.5kg	29.76lbs

