



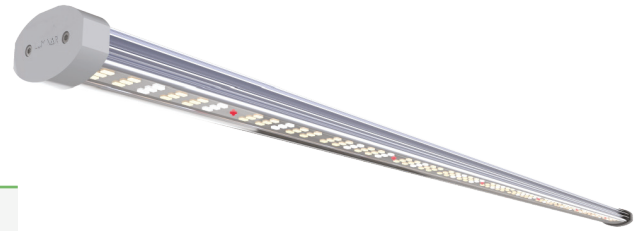
iL47

LED Lighting Solution

VOLTAGE: 100-277V

MODEL: 2.5 WATTS: 85W

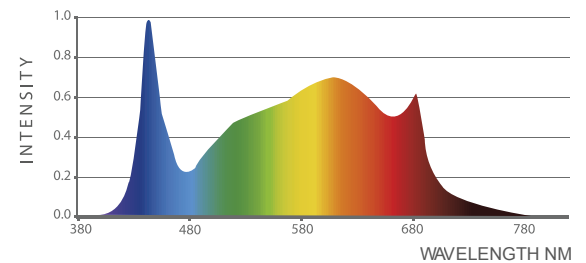
SKU: IL-4725FSG-120



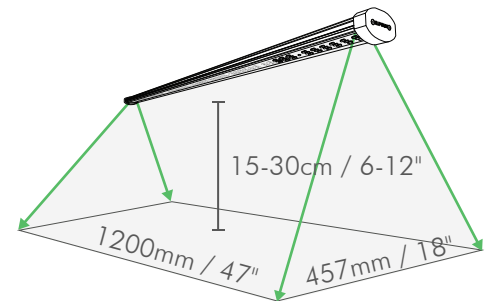
TECHNICAL SPECIFICATIONS

PPF	212.5 $\mu\text{mol/s}$
Efficacy	2.5 $\mu\text{mol/j}$
Input Current	1.15A
Input Power	85W
Output Power	76W
Output Voltage	66
Min Power Factor	0.9
THD	< 20%
Crest Factor	0.99
BTU	289
Rated Mains Voltage	120-277V AC
Voltage Range (+/-10%)	100-277V
Mains Frequency	50 / 60Hz
Dimmable	1-10V Controllable
Ambient Temperature	-20..+45°C
Max. Temperature	75°C/167°F
Relative Humidity	98%
Plug Type	Power Cord Sold Separately
Color Temperature	4000k
Color Rendering Index	88
Finishing Mounting Height	>18" to top of Canopy
Emitter Cooling	Passive / Extruded Case
Light Distribution +/- 5%	125°
Waterproof Rating	IP65 for Damp/Wet Conditions
LED Lifespan (90% of Life)	55,000+ hours

iL47 85W LED SPECTRUM



MOUNTING & COVERAGE



VOLTAGE AND AMPERAGE DRAW

120V	0.73A	86W
208V	0.42A	85W
240V	0.38A	85W
277V	0.34A	87W

PHYSICAL SPECIFICATIONS

Length	1200mm	47.25"
Width	53.6mm	2.12"
Height	33mm	1.3"
Weight	12.8kg	28.22lb

