



# iL1

## LED Lighting Solution

MODEL: 2.6 VOLTAGE: 100-277V

WATTS: 530W SKU: IL-A153026-FSG-120

660W IL-A166026-FSG-120

### TECHNICAL SPECS

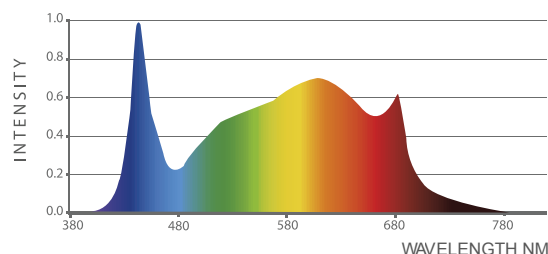
530W

660W

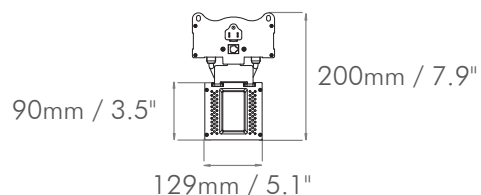
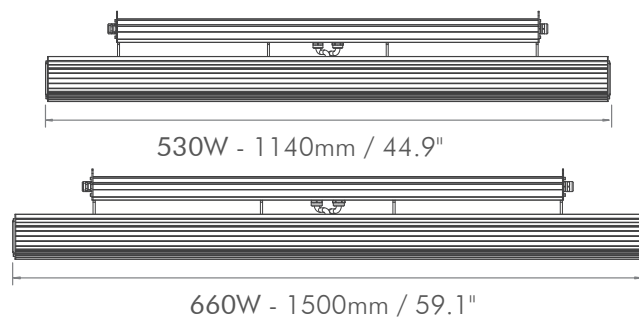
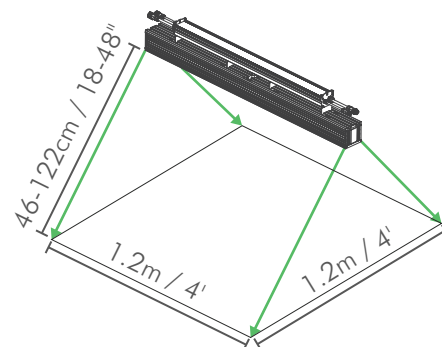
PPF	1378 $\mu\text{mol/s}$	1716 $\mu\text{mol/s}$
Output Current	14.60	18.40
Output Power	481.8	607.2
Heat Output (BTU/h)	1802	2244
Efficacy	2.6 $\mu\text{mol/J}$	
Output Voltage	33	
Power Factor	>0.9	
THD	<20%	
Crest Factor	0.99	
Rated Mains Voltage	120-277V AC	
Voltage Range	100-277V	
Input Frequency	50 / 60Hz	
Operating Temperature	-4 - 113 °F (-20 - 45 °C)	
Dimmable	0-10V Controllable	
Ambient Temperature	-20..+45 °C	
Max. Temperature	75°C/167 °F	
Relative Humidity	98%	
Color Temperature	4000k	
Color Rendering Index	88	
Finishing Mounting Height	> 18" to top of Canopy	
Emitter Cooling	Passive Thermal Management	
Light Distribution +/- 5%	125°	
Waterproof Rating	iP65 for Damp/Wet Conditions	
LED Lifespan (90% of Life)	>54,000 hours	



### iL1 LED SPECTRUM



### MOUNTING & COVERAGE



### VOLTAGE AND AMPERAGE

530W

660W

120V	4.52A	541W	5.67A	678W
208V	2.58A	532W	3.26A	671W
240V	2.24A	527W	2.81A	663W
277V	1.93A	521W	2.42A	655W
347V	1.56A	539W	1.96A	676W
480V	1.12A	525W	1.41A	661W

### PHYSICAL SPECIFICATIONS

530W

660W

Length	1140mm / 44.9"	1500mm / 59.1"
Width	129mm / 5.1"	129mm / 5.1"
Height	200mm / 7.9"	200mm / 7.9"
Weight	10.2 Kg / 22.5 lbs	12.5 Kg / 27.5 lbs

iluminarlighting.com  
Toll Free: 1-877-540-5588

**5 YEAR**  
WARRANTY



© Copyright 2020 ILUMINAR Lighting  
Subject to change without notice.