



1000W

DE FIXTURE

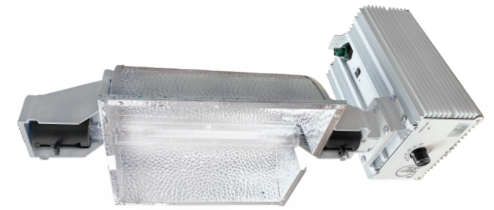
MH / HPS

VOLTAGE:

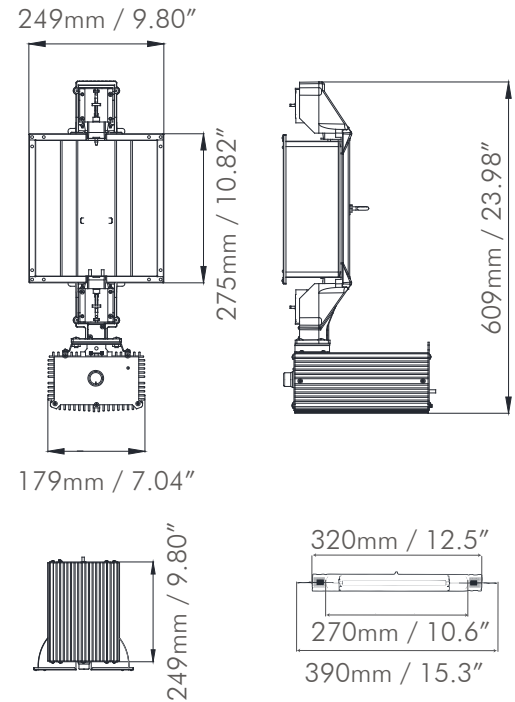
120V/240V	ILUM-DE-N1K	ILUM-DE-N1K-NL
277V	ILUM-DE-1K277	ILUM-DE-1K277-NL
347V	ILUM-DE-N1K34	ILUM-DE-N1K34-NL

SKU WITH LAMP:
SKU NO LAMP INCLUDED:

SPECIFICATIONS	120V	240V	277V	347V
Input Current	9.30A	4.60A	3.85A	3.07A
Input Power	1085W	1055W	1045W	1040W
Rated Main Voltage	120V	240V	277V	347V
Voltage Range	108-264V		249-305V	312-382V
THD	<10%			
Controller	0 -10V			
Min Power Factor	>.99			
Crest Factor	<1.7			
Input Connection	IP67 Wieland Plug			
Input Frequency	48 - 63Hz			
BTU Output	4,400 btu			
Relative Humidity	25-70% (Non-condensing)			
Operation Temp.	0 - 35°C / 32-95°F			
Recommended Lamp	1000W DE 400V			
Lamp Included	ILUMINAR			
Lamp Base	K12 x 30s			
PPF	2100 μmol/s			
Weight	6.2kg / 13.66lbs			
Standalone Coverage	4'x4'			
Mounting Height	1.2m / 4'			
Fixture Width	9.80" / 249mm			
Fixture Height	23.98" / 609mm			
Ballast Width	7.04" / 179mm			
Ballast Height	5.1" / 130.5mm			



DIMENSIONS

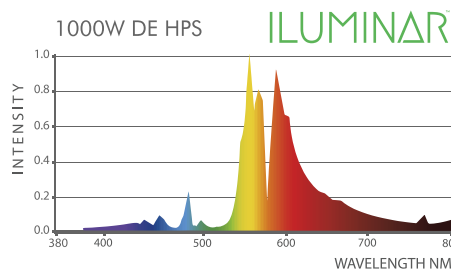


Recommended to use with ILUMINAR Touch or ILUMINAR HASH Controller.

PROTECTIONS

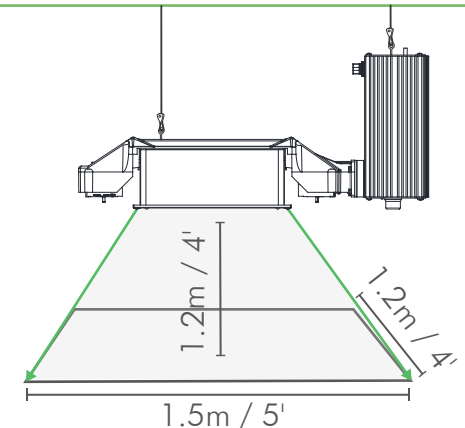
- Microprocessor Driven
- End of Lamp Life (EOL)
- Open Circuit Protection
- Ignition Failure Protection
- Thermal Sensing Protection

DE HPS SPECTRUM



View MH Compatible Lamp Spectra at iluminarlighting.com

MOUNTING & COVERAGE



3 YEAR WARRANTY