



1000W

DE FIXTURE

CMH

VOLTAGE:

208-277V

SKU:

IL-CMHDE1000-240

- ◀ Energy efficient
- ◀ Uniform Light Distribution
- ◀ Soft Start Technology
- ◀ Ignition Failure Protection



INPUT SPECIFICATIONS

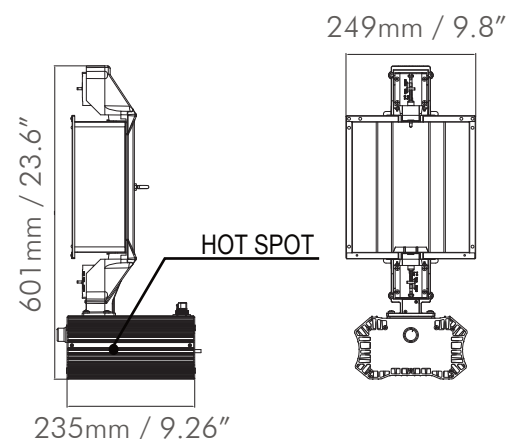
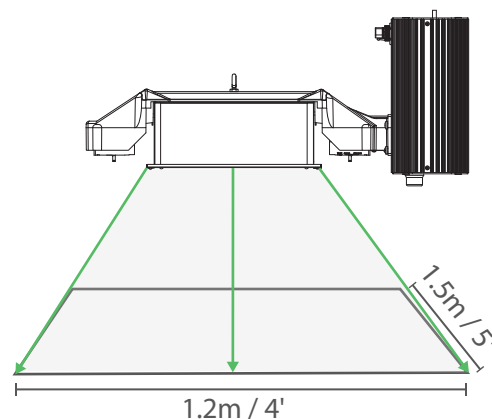
	208V	240V	277V
Input Current	5.10A	4.60A	3.85A
Input Power	1045W		
Rated Main Voltage	208-277V		
Voltage Range	187-290V		
Ignition Voltage	5kV		
Dimming Type	Gear / 945 / 1000 / EXT		
THD	< 15%		
Controller	0 -10V		
Min Power Factor	0.95		
Crest Factor	1.7		
Input Connection	IP68 Wieland Plug		
Main Frequency	50 - 60Hz		
Operation frequency	140-220HZ		
Relative Humidity	95% (Non-condensing)		
Max Allowable Case Temperature	75°C/167°F		
Ambient Temperature	-20... +40°C / -4... +104°F		
Recommended Lamp	ILUMINAR CMH 1000W DE		
Socket Type/Lamp Base	K12x30s - / Style		
Mounting Height	1.2m / 4'		

Lamp Not Included.

PHYSICAL SPECIFICATIONS

Case Length	564mm	22.22"
Case Width	249mm	9.80"
Height	601mm	23.66"
Weight	6.6kg	14.55lb

MOUNTING & COVERAGE



3YEAR
WARRANTY