



315W

SE FIXTURE

CMH

VOLTAGE:

SKU:

120V/240V

IL-CMH315-120

277V

IL-CMH315-277

347V

IL-CMH315-347



Random Start Technology



Energy Efficient



Cleaner Light for Max Yields



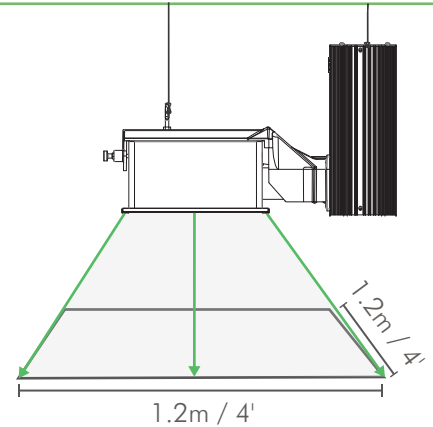
Less Heat Reduced Cooling Costs

SPECIFICATIONS

	120V	240V	277V	347V
Input Current	2.89A	1.43A	1.30A	0.99A
Input Power	343W	343W	343W	343W
Rated Main Voltage	120V	240V	277V	347V
Voltage Range	108-264V		249-290V	312-382V
Main Frequency	50-60Hz			
THD	<15%			
Controller	0-10V Protocol			
Min Power Factor	.95			
Crest Factor	<1.7			
Input Connection	IP68 Wieland Plug			
BTU Output	1,400 btu			
Relative Humidity	95% (Non-condensing)			
Operation Temp.	-20 - 40°C / -4-104°F			
Max. Temperature	75°C/167°F			
Recommended Lamp	ILUMINAR 315W CMH			
Mounting Height	0.9m / 3'			
Weight	6kg /13.23lbs			
Standalone Coverage	0.9m x 0.9m / 4'x4'			
Fixture Width	299mm / 11.77"			
Fixture Height	520.4mm / 20.49"			
Ballast Width	213mm / 8.38"			
Ballast Height	118.6mm / 4.68"			

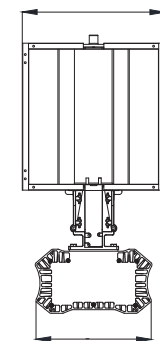


MOUNTING & COVERAGE

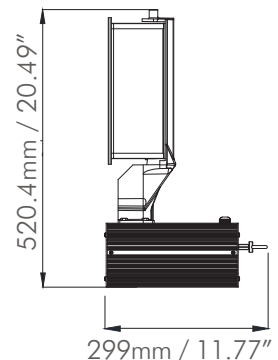


DIMENSIONS

248.9mm / 9.80"



213mm / 8.38"



299mm / 11.77"

Recommended to use with ILUMINAR Touch or ILUMINAR HASH Controller. Lamp Not Included.



iluminarlighting.com
Toll Free: 1-877-540-5588



© Copyright 2020 ILUMINAR Lighting
Subject to change without notice.