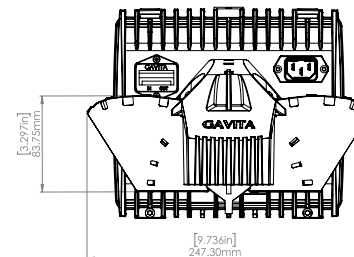
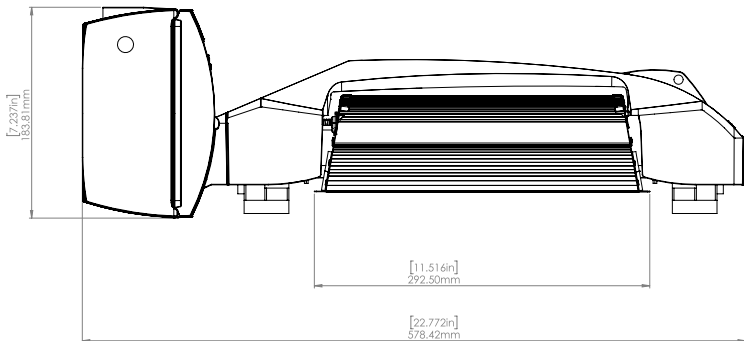
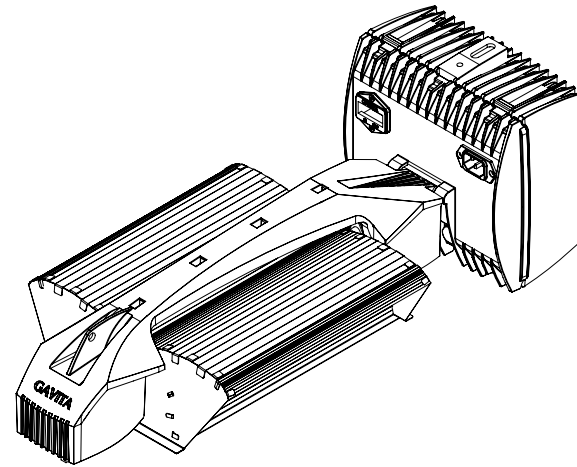
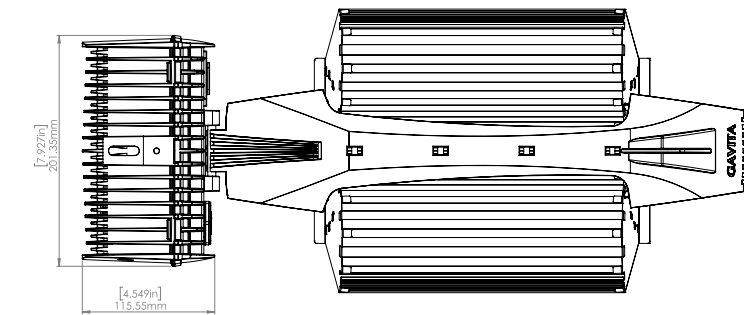


# Gavita® SL2 1000e DE 208-240 V W150

Item #HGC906736-01



## SPECIFICATIONS



<b>INPUT VOLTAGE:</b> 208-240 V	
<b>INPUT POWER:</b> 1200 W	
<b>INPUT CURRENT:</b> 6.6-5.3 A	
<b>HEAT LOAD:</b> 3,600 btu/hr*	
<b>INRUSH CURRENT:</b> 27 A	
<b>FREQUENCY:</b> 50/60 Hz	
<b>POWER FACTOR (cosφ):</b> > 0.98	
<b>Voltage THD</b>	
<b>208 V:</b>	0.22%
<b>240 V:</b>	0.20%
<b>Current THD</b>	
<b>208 V:</b>	8.40%
<b>240 V:</b>	10.20%
<b>AMBIENT TEMP:</b> 32-104° F (0-40° C)	
<b>ENVIRONMENTAL RATING:</b> Damp Locations	
<b>MOUNTING:</b> Commercial Bracket    Sun Grip® Hanger	
<b>WEIGHT:</b> 8.4 lb	<b>DIM:</b> 22.2 in x 9.7 in x 7.8 in
<b>CERTIFICATIONS</b>	
UL 1598, UL8800, CSA 22.2 No. 250.0, FCC Part 18 Non Consumer	
<b>WARRANTY:</b> 3 Year Limited Warranty	

\*Please consult an HVAC expert to calculate total heat load in your grow space

HGC906736 Gavita® SL2 1000e DE 208-240 V W150 Spec-Sheet- Last Updated 02/12/2021



This document is not intended to be used for installation purposes. We cannot cover all specific applications or anticipate all requirements. All specifications are subject to change without notice.

HawthorneGC.com | Canada: HawthorneGC.ca