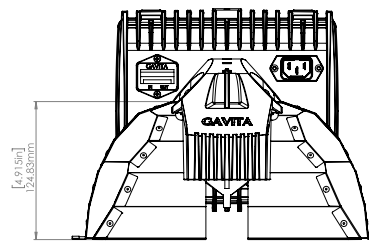
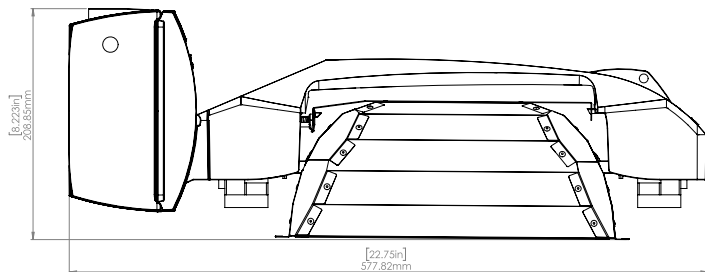
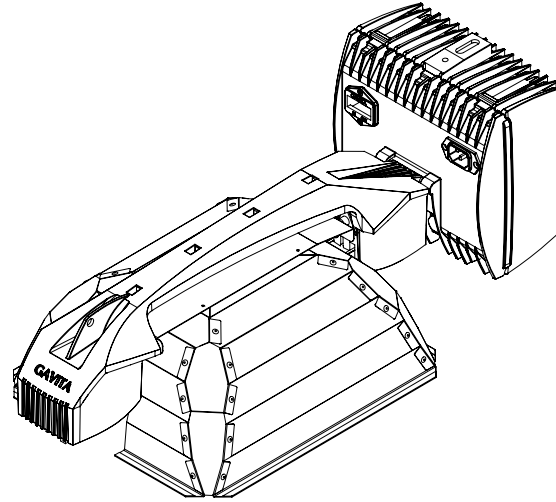
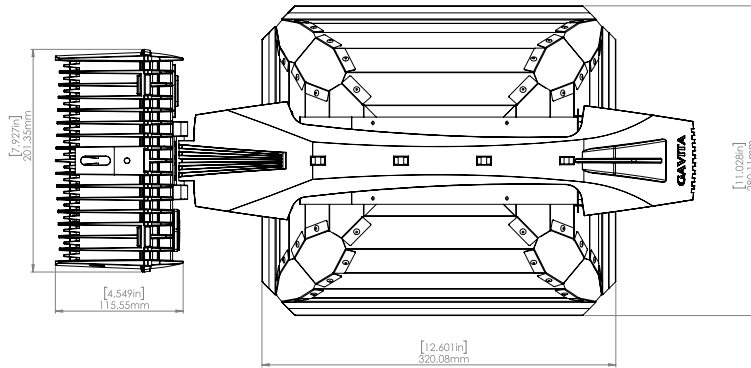


Gavita® SL2 1000e DE 208-240 V INTENSITY

Item #HGC906732-01



SPECIFICATIONS



INPUT VOLTAGE: 208-240 V	
INPUT POWER: 1200 W	
INPUT CURRENT: 6.6-5.3 A	
HEAT LOAD: 3,600 btu/hr*	
INRUSH CURRENT: 27 A	
FREQUENCY: 50/60 Hz	
POWER FACTOR (cosφ): > 0.98	
Voltage THD	
208 V:	0.22%
240 V:	0.20%
Current THD	
208 V:	8.40%
240 V:	10.20%
AMBIENT TEMP: 32-104° F (0-40° C)	
ENVIRONMENTAL RATING: Damp Locations	
MOUNTING: Commercial Bracket Sun Grip® Hanger	
WEIGHT: 8.4 lb	DIM: 22.2 in x 9.7 in x 7.8 in
CERTIFICATIONS	
UL 1598, ANSI/CAN/UL 8800, CSA 22.2 No. 250.0, FCC Part 18 Non Consumer	
WARRANTY: 3 Year Limited Warranty	

*Please consult an HVAC expert to calculate total heat load in your grow space

HGC906732-01 Gavita® SL2 1000e DE 208-240 V INTENSITY Spec Sheet- Last Updated 02/2021



This document is not intended to be used for installation purposes. We cannot cover all specific applications or anticipate all requirements. All specifications are subject to change without notice.

HawthorneGC.com | Canada: HawthorneGC.ca