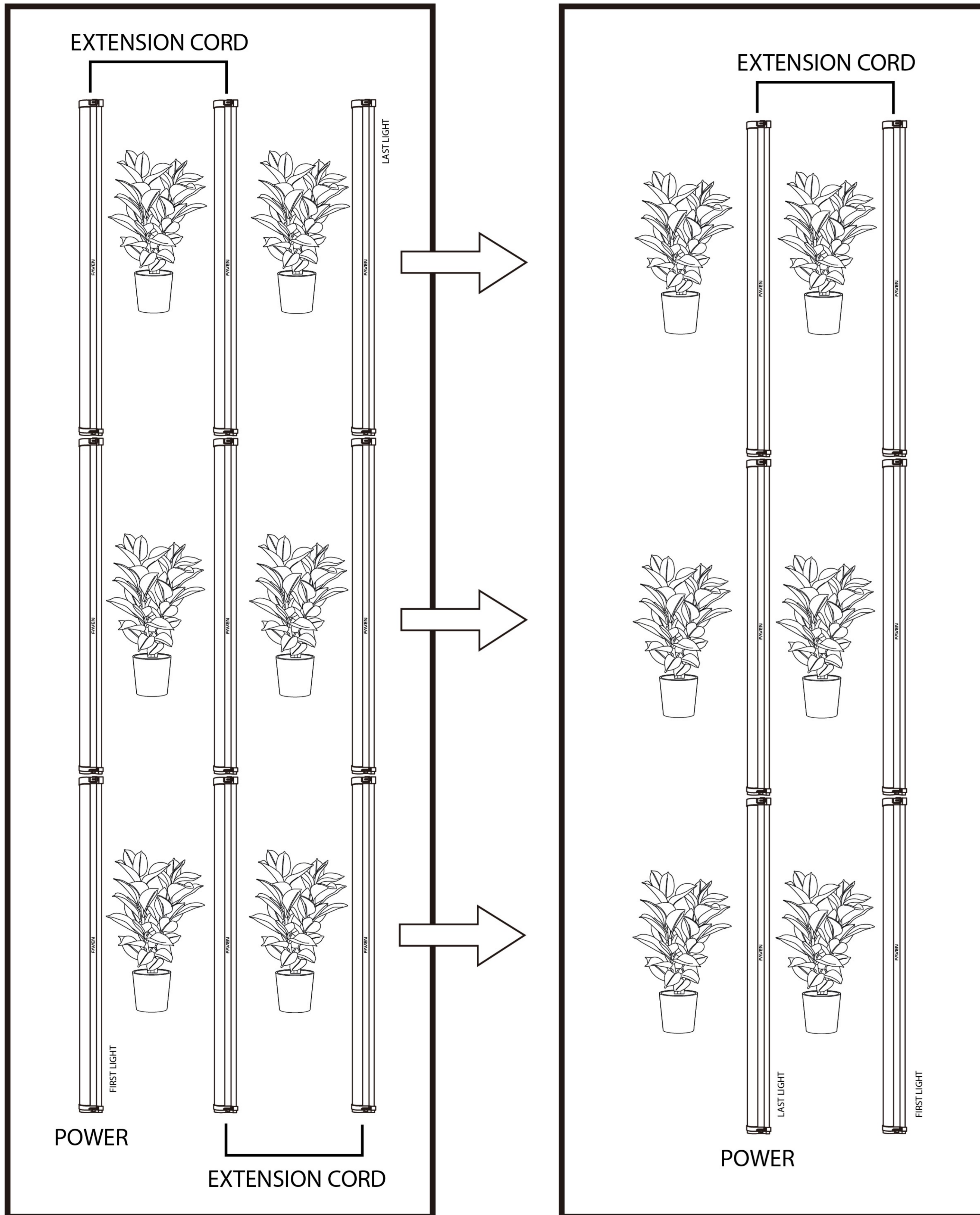


TWO PLANTS WIDE

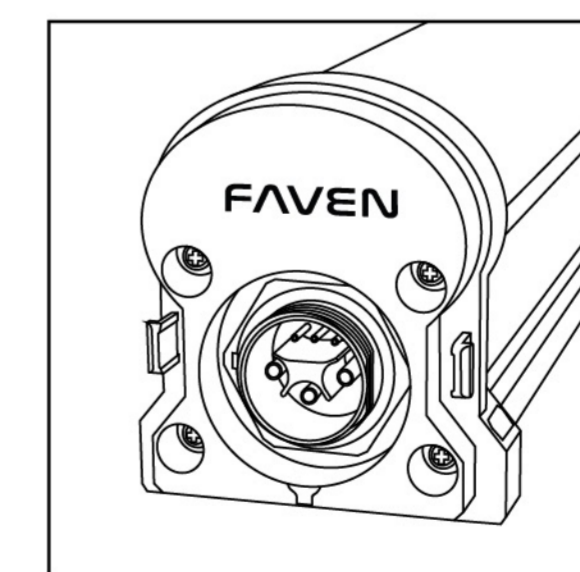
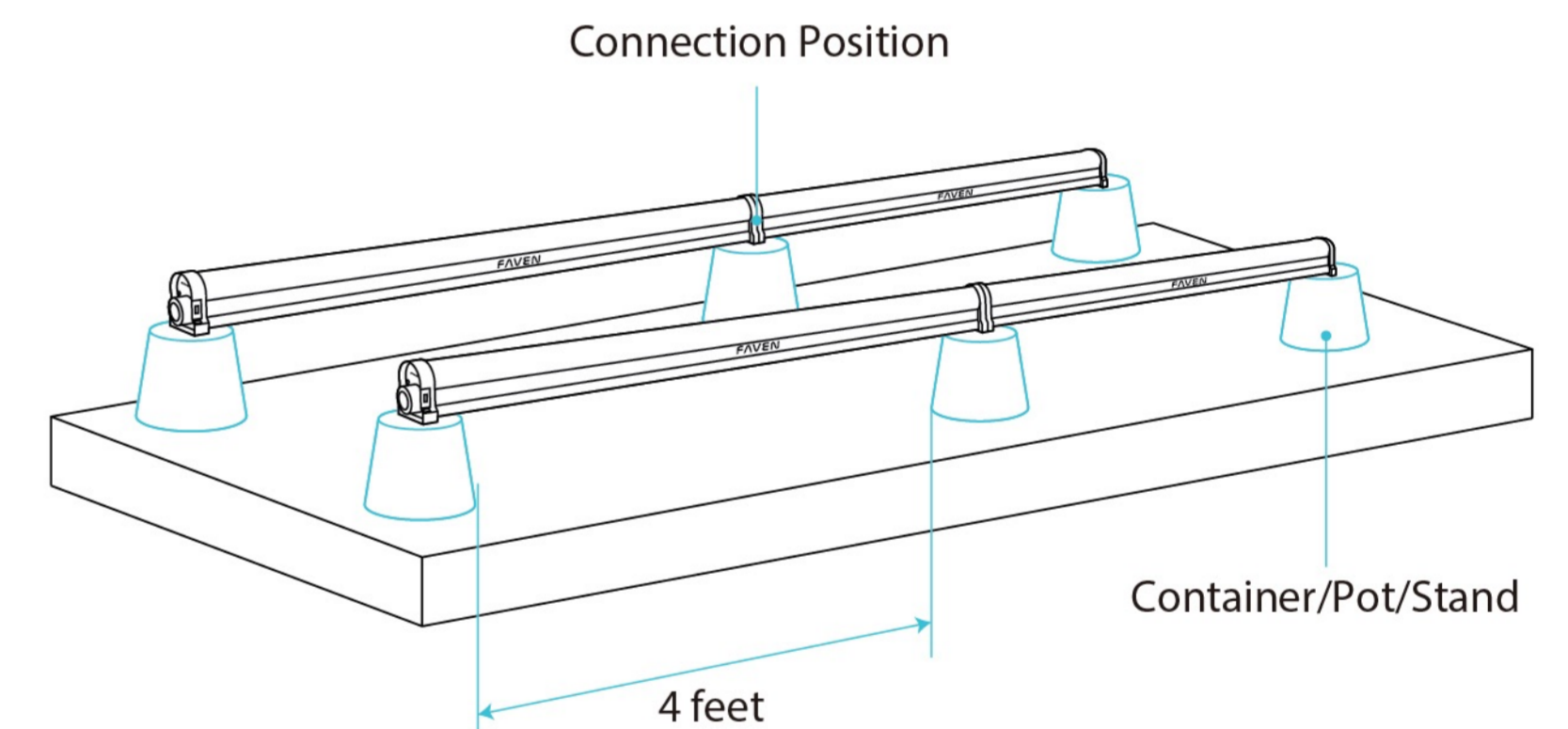


Option 1 (recommended):

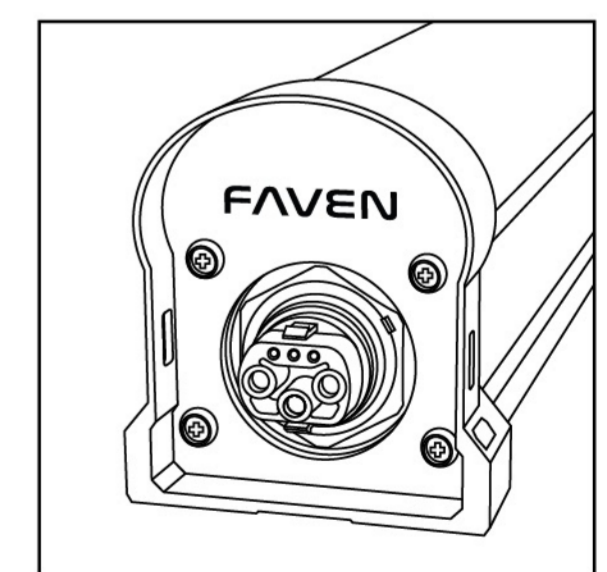
Choose one bench on the edge of the room to run three rows of lights on. Then run two rows of lights on the following benches. The extra single row of lights will illuminate the aisle between benches where there can be less light intensity. This style ensures all areas of the bench are equally lit.

Option 2:

Run two rows of lights on each bench. This still provides adequate lights to plants, but may cause areas of the bench to have less light intensity.



Female Port



Male Port

