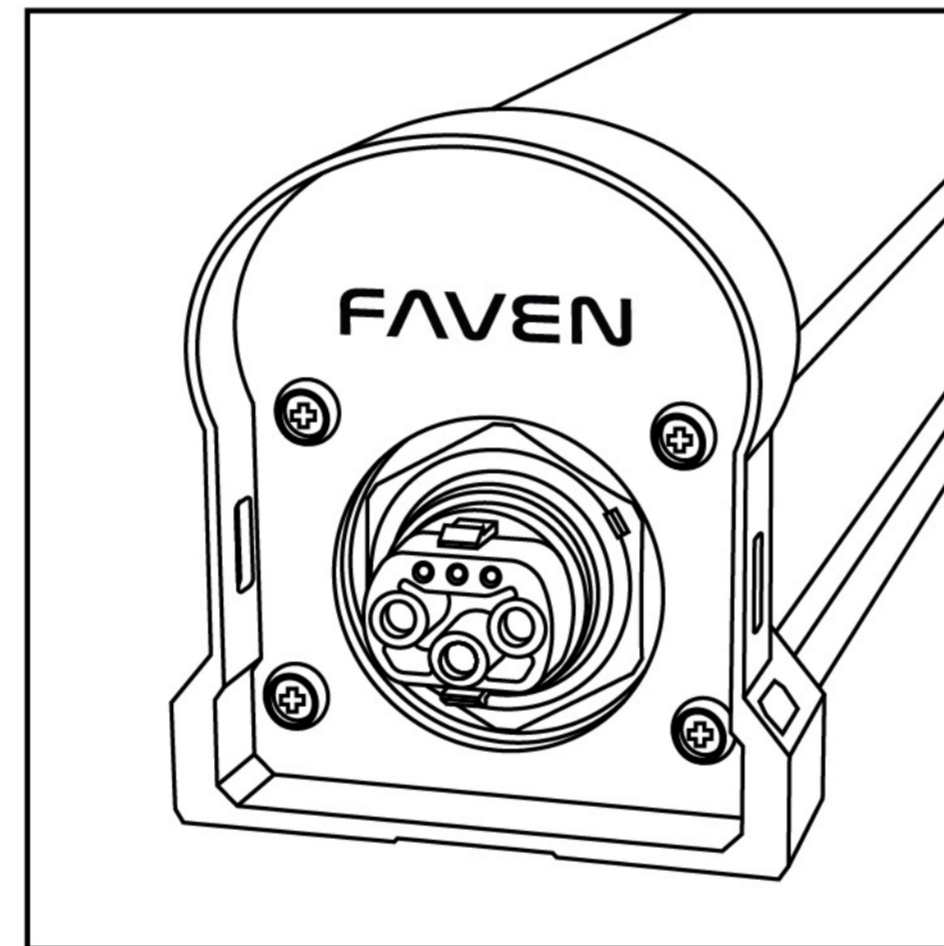
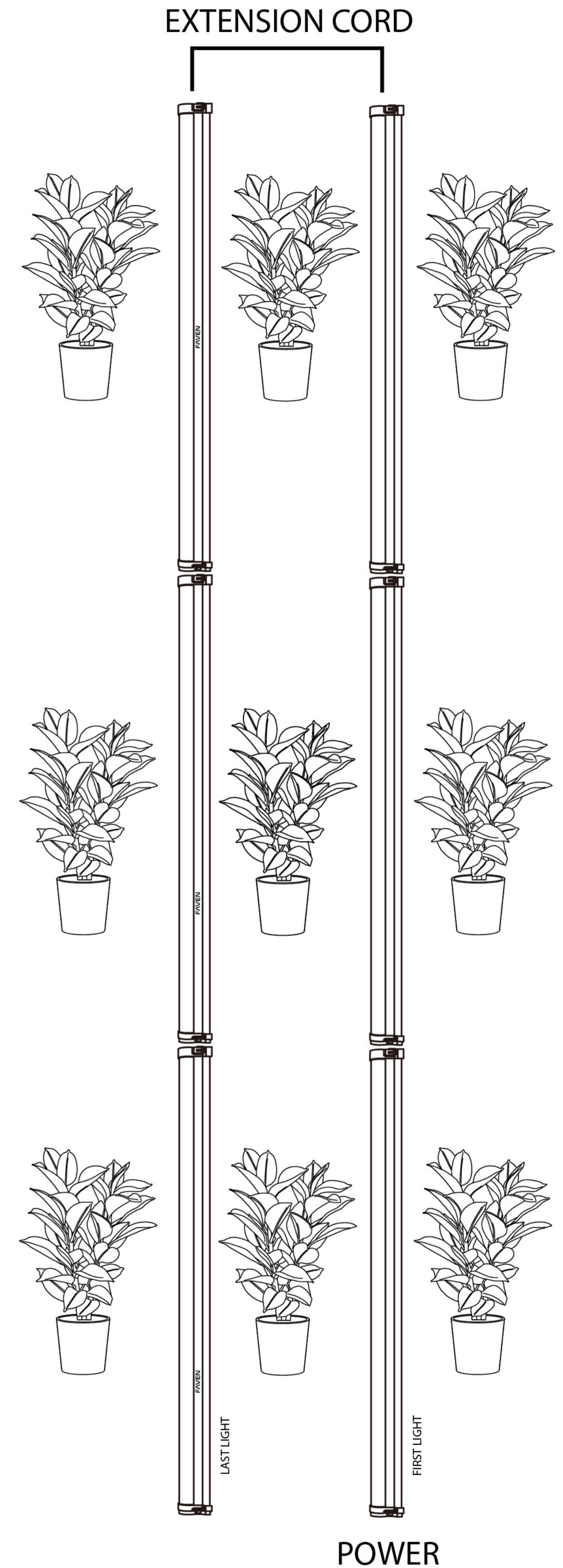
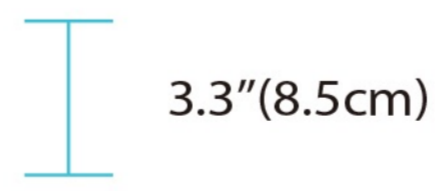
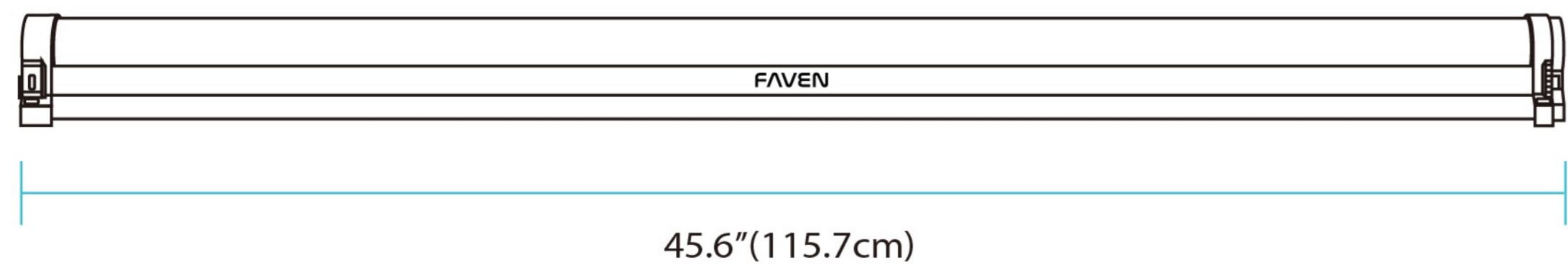


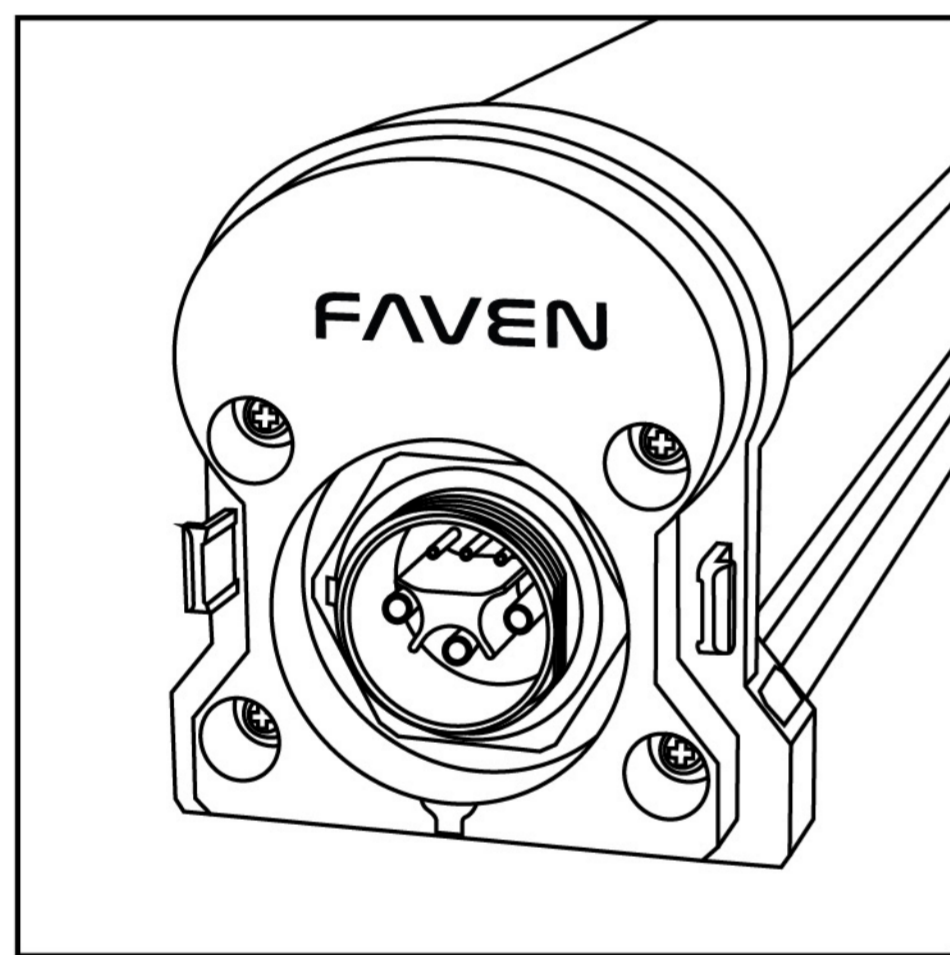
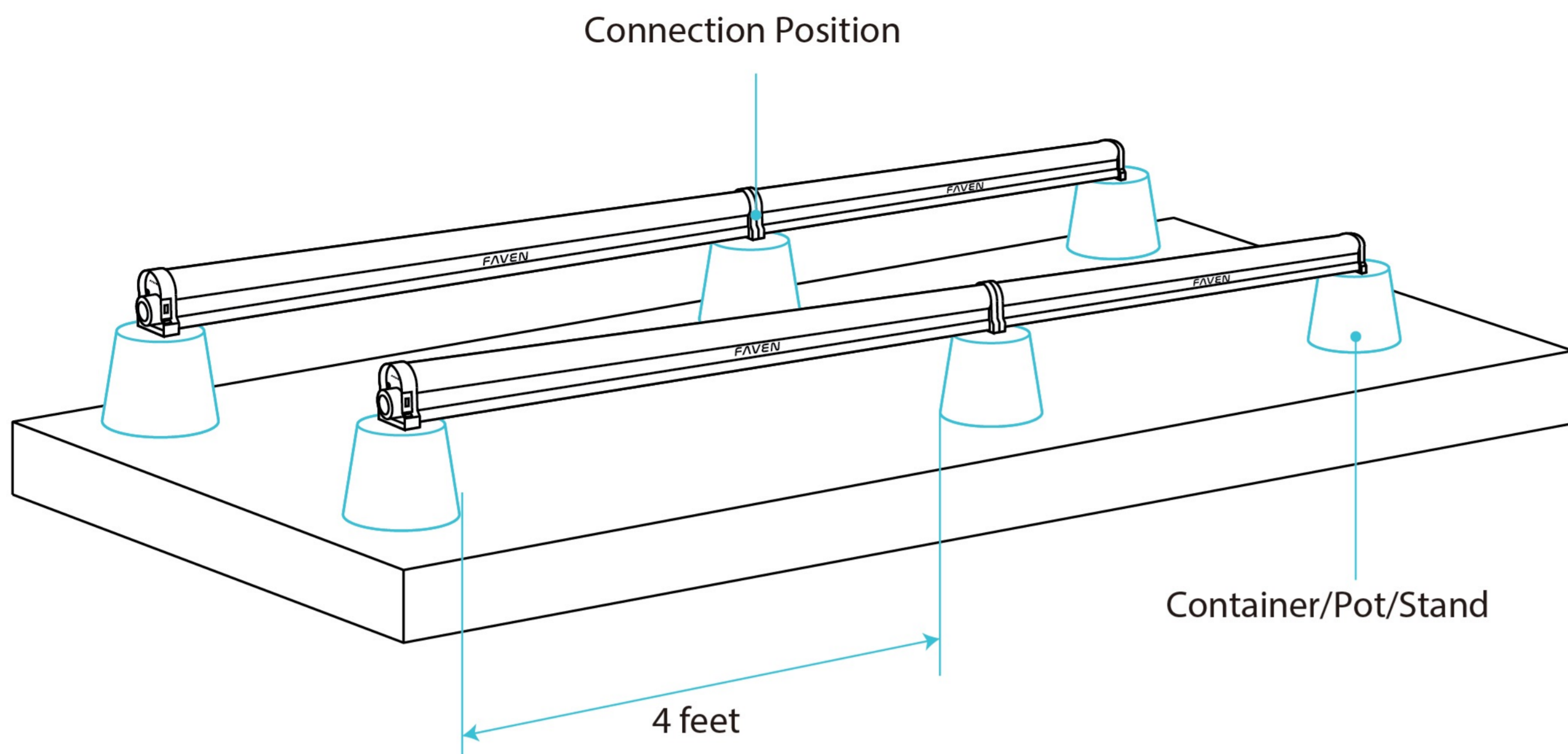
Female Port



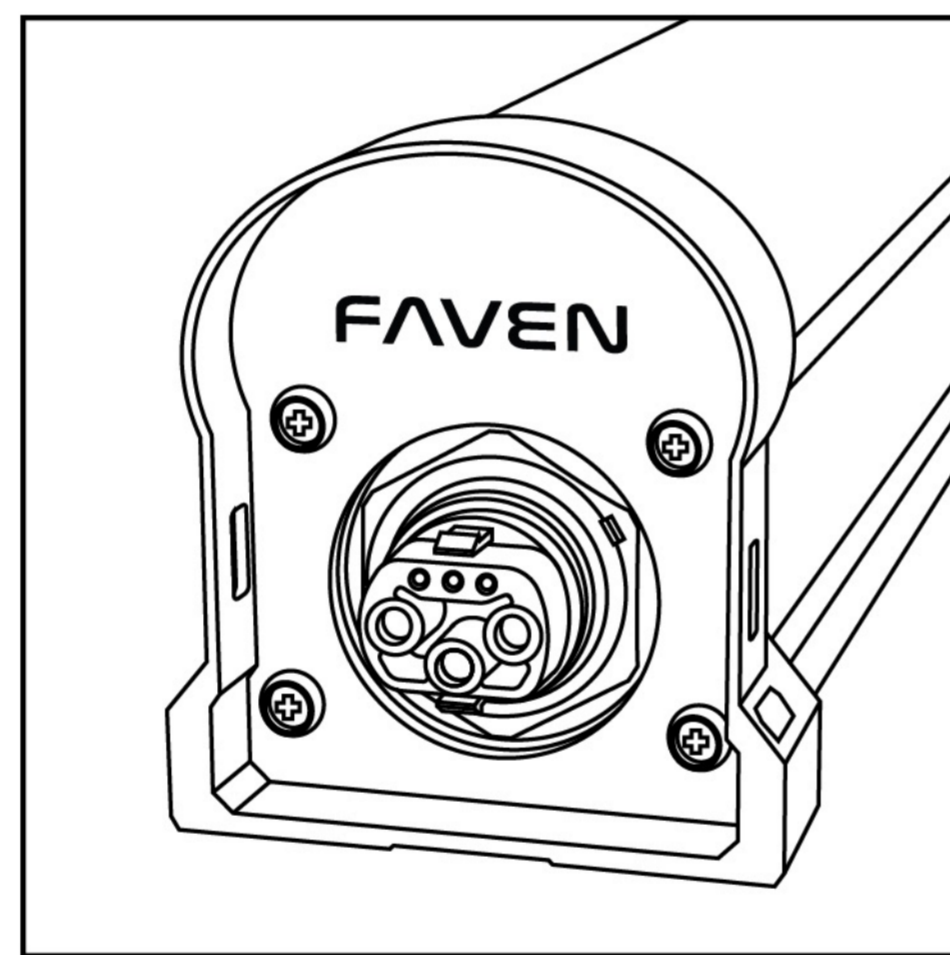
Male Port



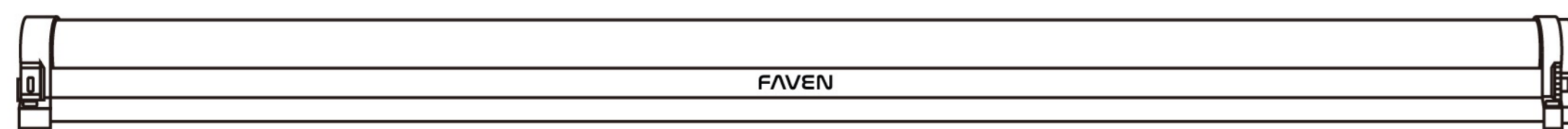
THREE PLANTS WIDE



Female Port



Male Port

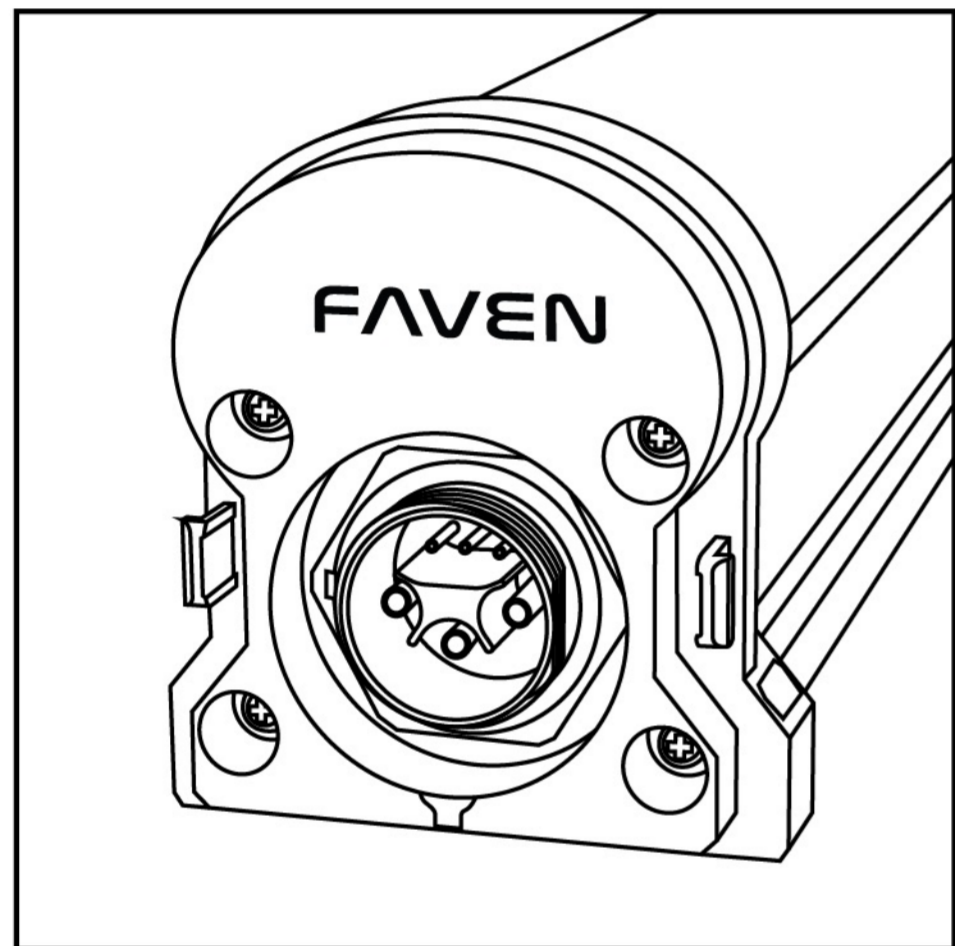
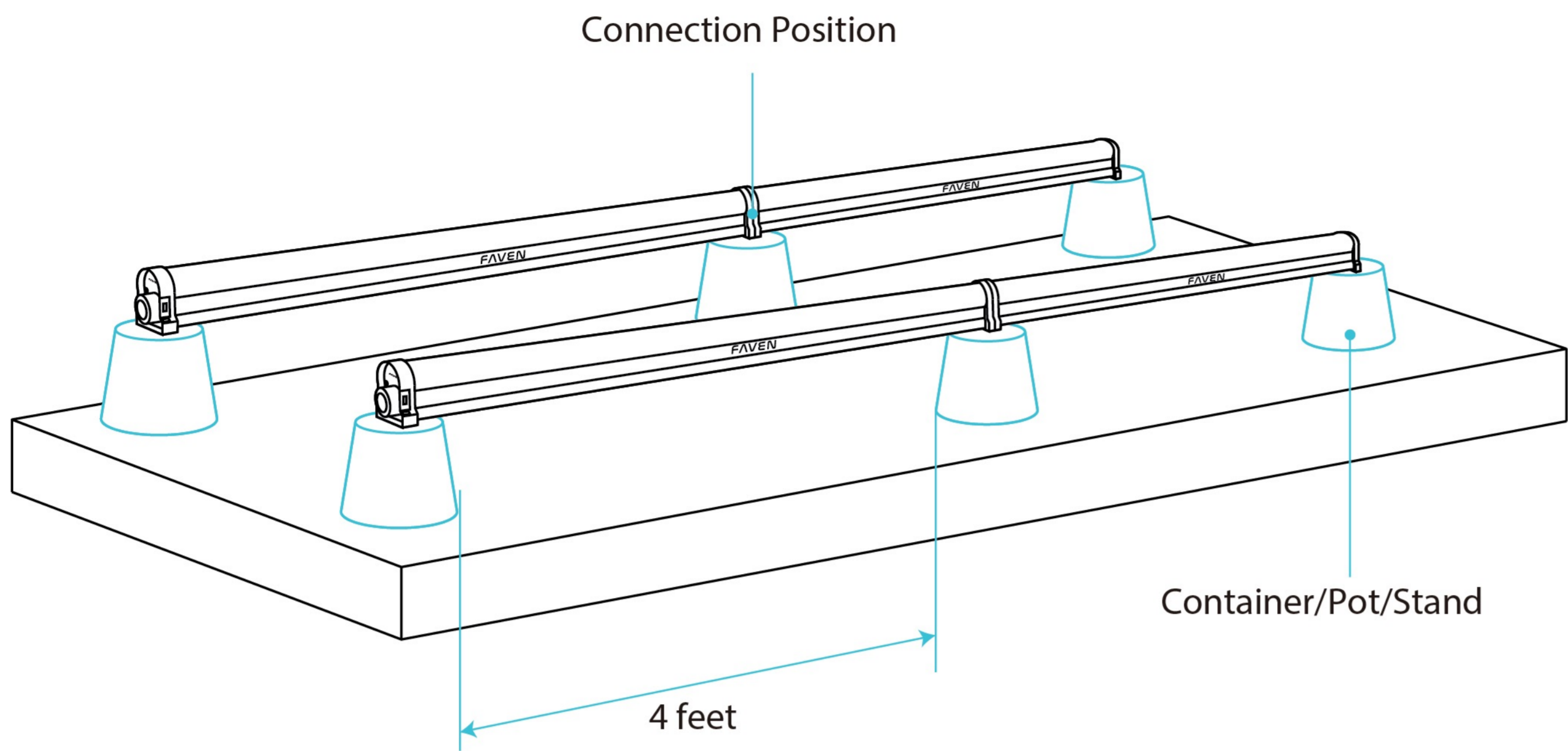


45.6"(115.7cm)

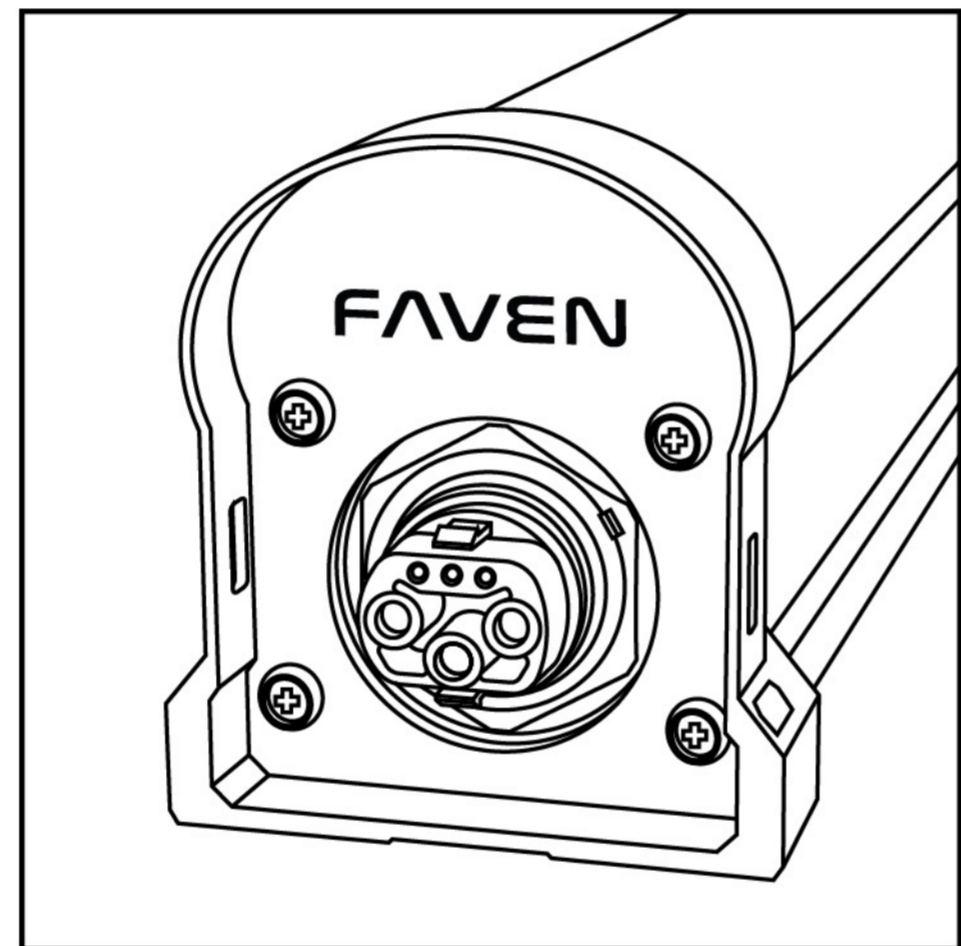
3.3"(8.5cm)



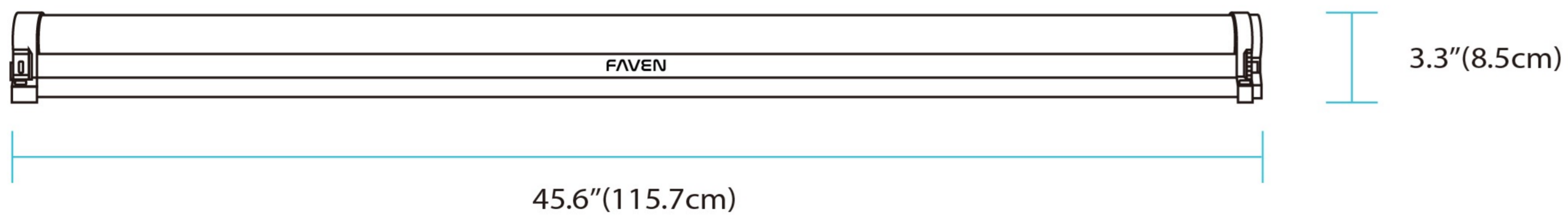
FOUR PLANTS WIDE



Female Port

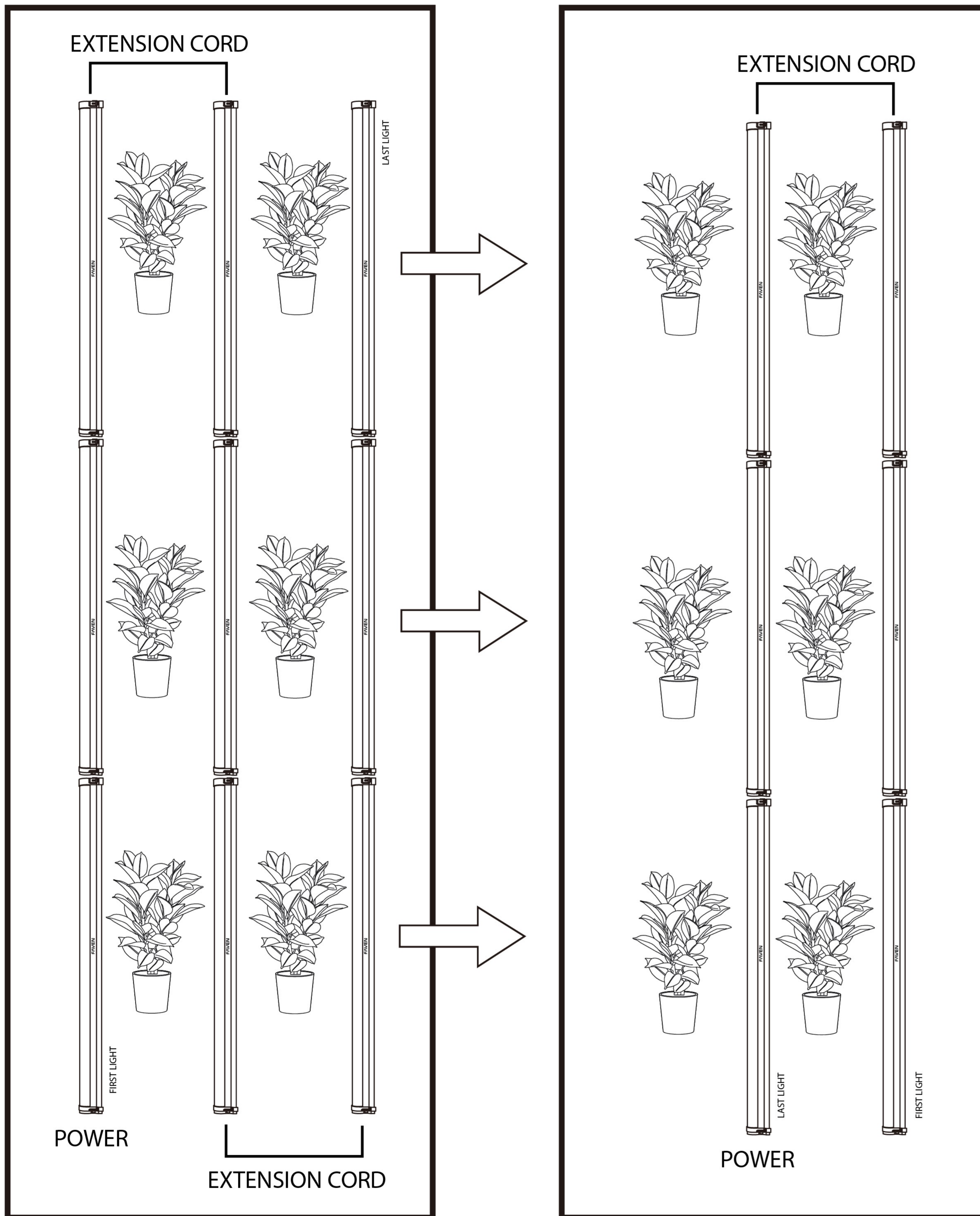


Male Port



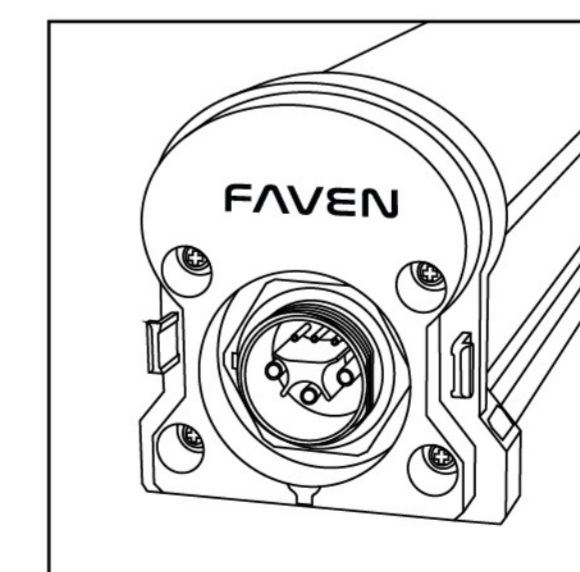
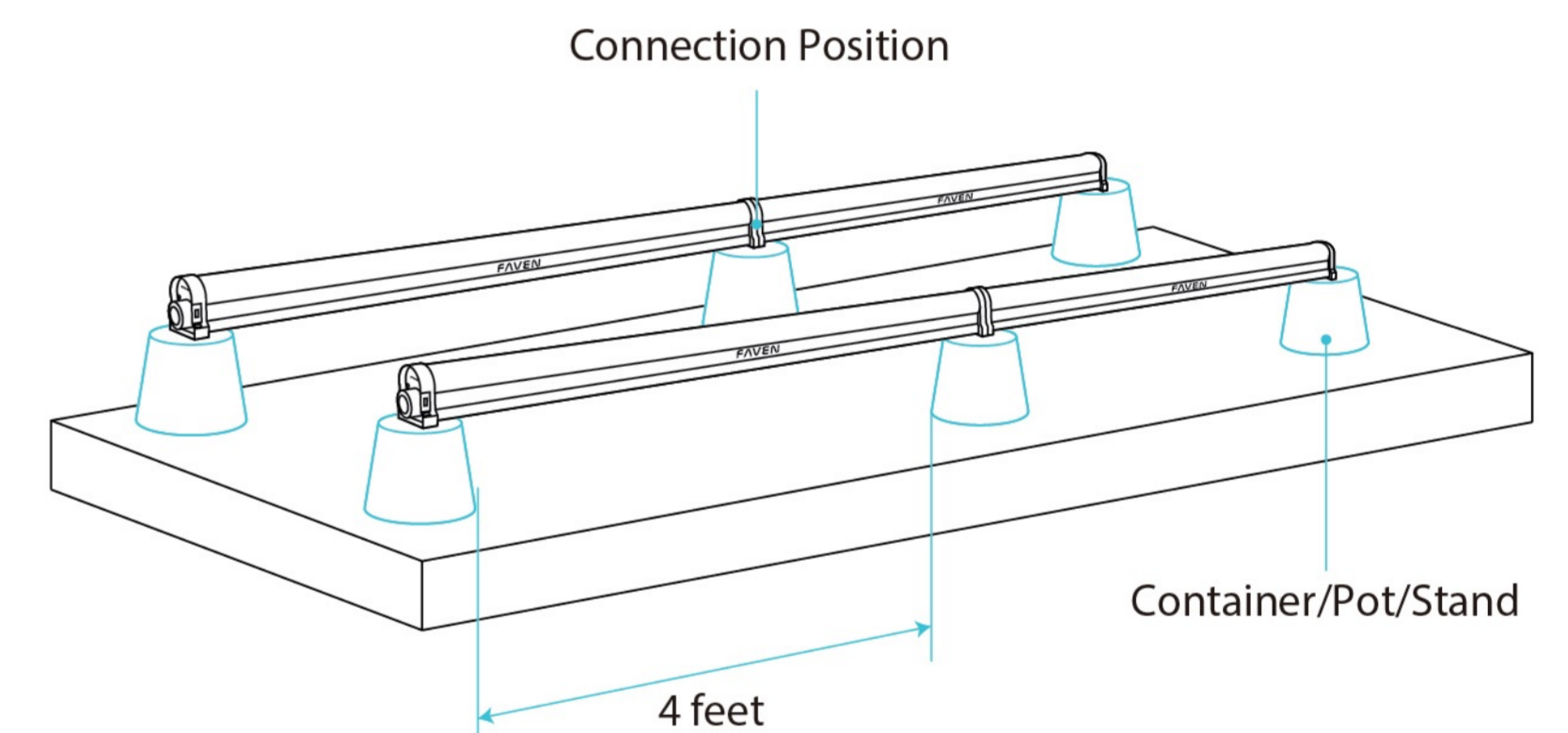
FOUR PLANTS WIDE

TWO PLANTS WIDE

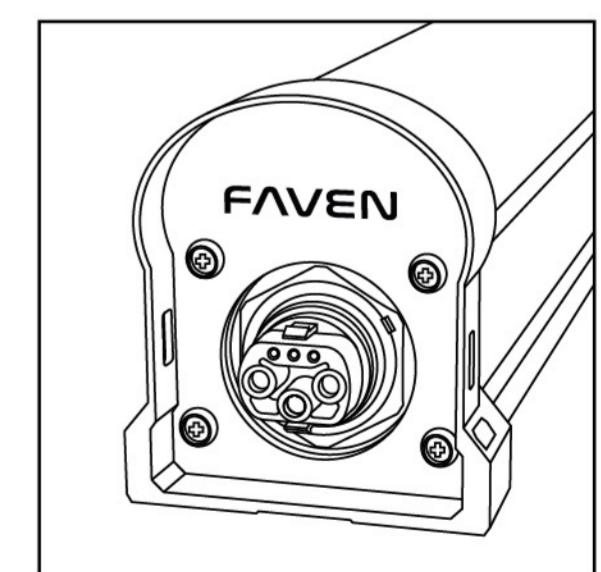


Option 1 (recommended):
 Choose one bench on the edge of the room to run three rows of lights on. Then run two rows of lights on the following benches. The extra single row of lights will illuminate the aisle between benches where there can be less light intensity. This style ensures all areas of the bench are equally lit.

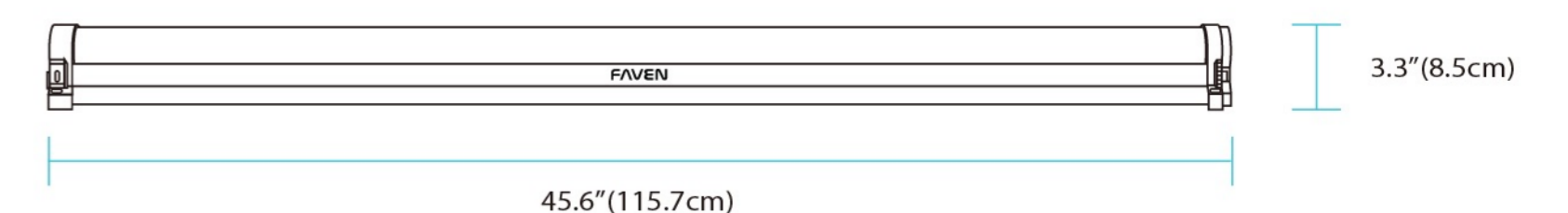
Option 2:
 Run two rows of lights on each bench. This still provides adequate lights to plants, but may cause areas of the bench to have less light intensity.

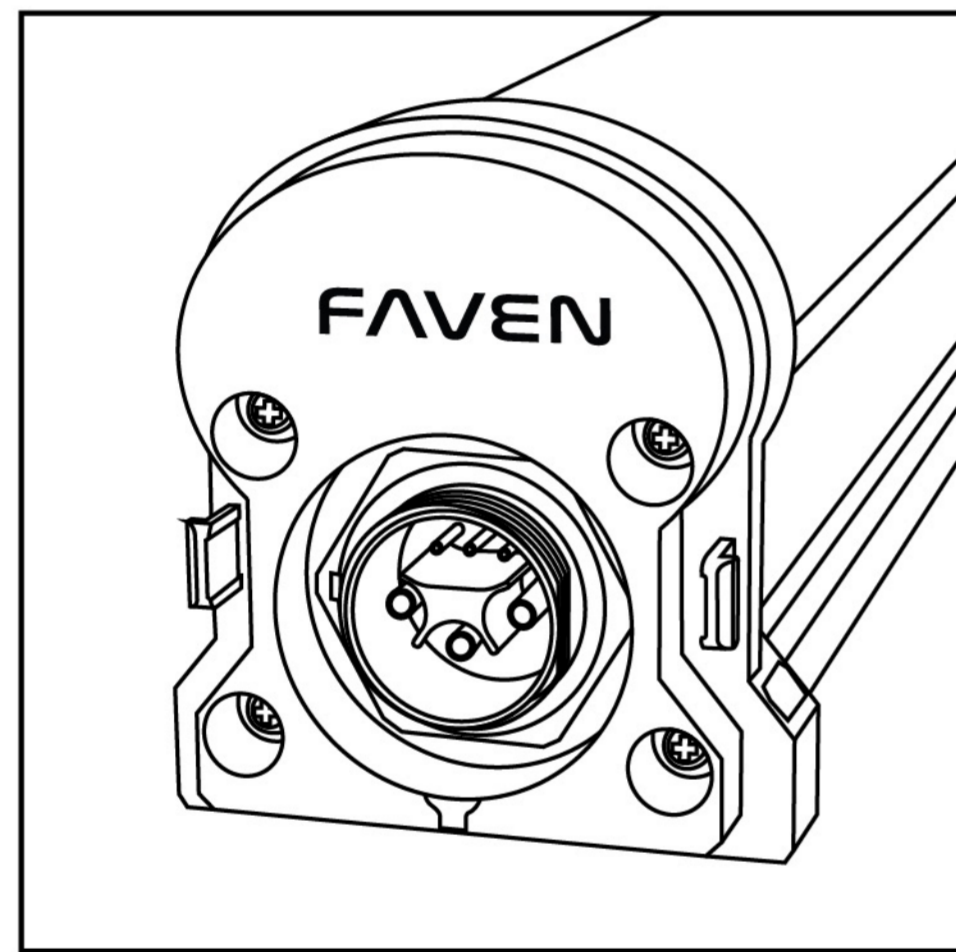
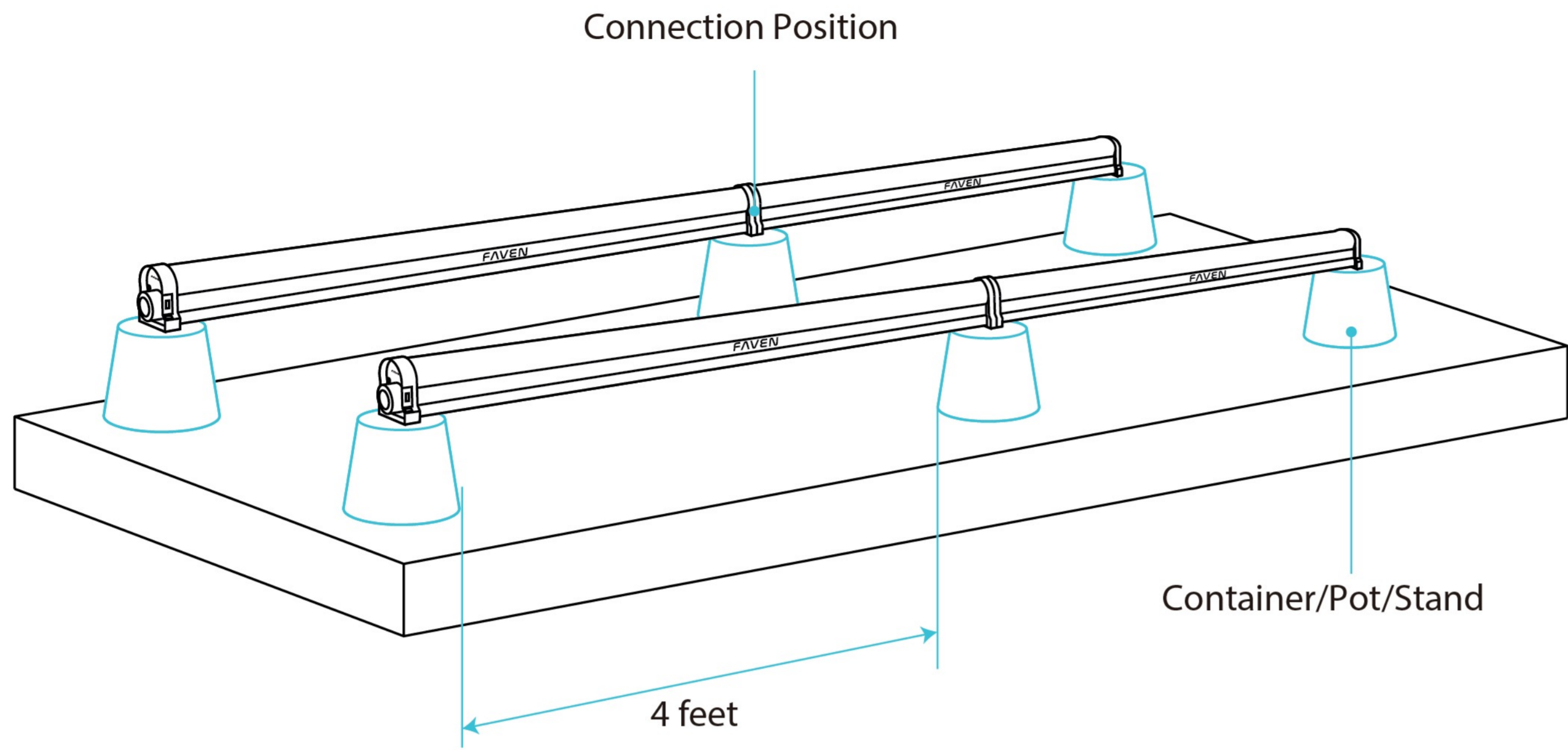


Female Port

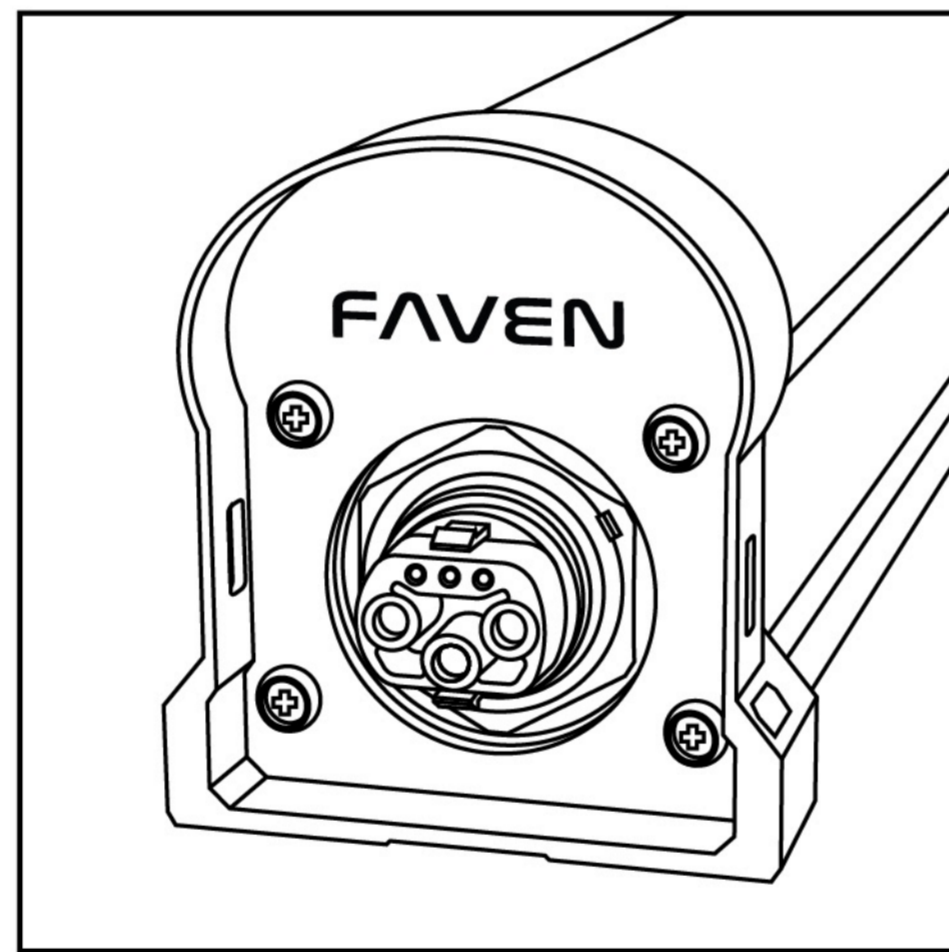


Male Port

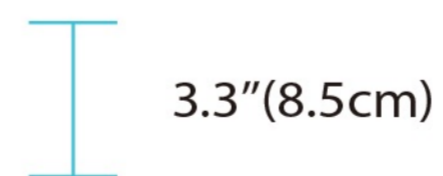
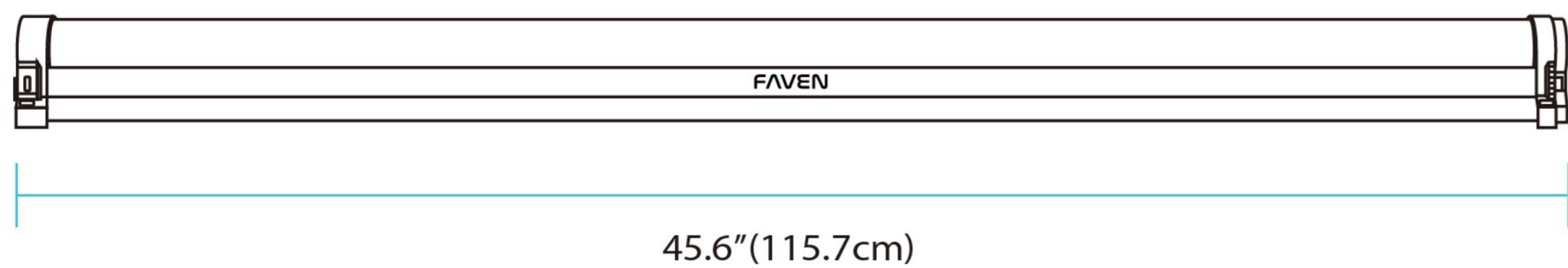




Female Port



Male Port



POWER

TWO PLANTS WIDE