



DOSATRON®

WATER POWERED DOSING TECHNOLOGY



D14MZ3000VFBPHY - 14 GPM INTERACTIVE SCHEMATICS

UNIT SPECIFICATIONS

- 1:3000 - 1:333
- 4.3 - 85 PSI
- 3/4" NPT Connection

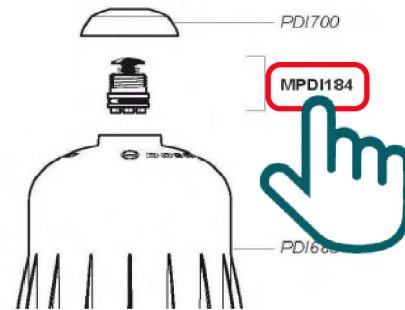
SUGGESTED INSTALLATION

- 200 mesh/80 micron water filter prior to the unit
- One-way check valve down-stream from the unit for water hammer protection

SUGGESTED MAINTENANCE

- Mini-Maintenance Kit
Part #: [PJDI139MINI](#)
For regular maintenance
- Injection Seal Kit
Part #: [PJDI139](#)
For yearly maintenance
- Rebuild Kit
Part #: [MKD14MZ3000](#)
Extends the life of your unit

DOCUMENT INSTRUCTIONS

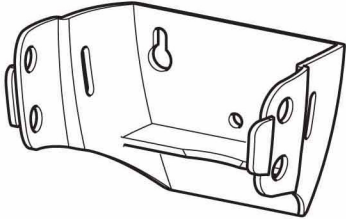
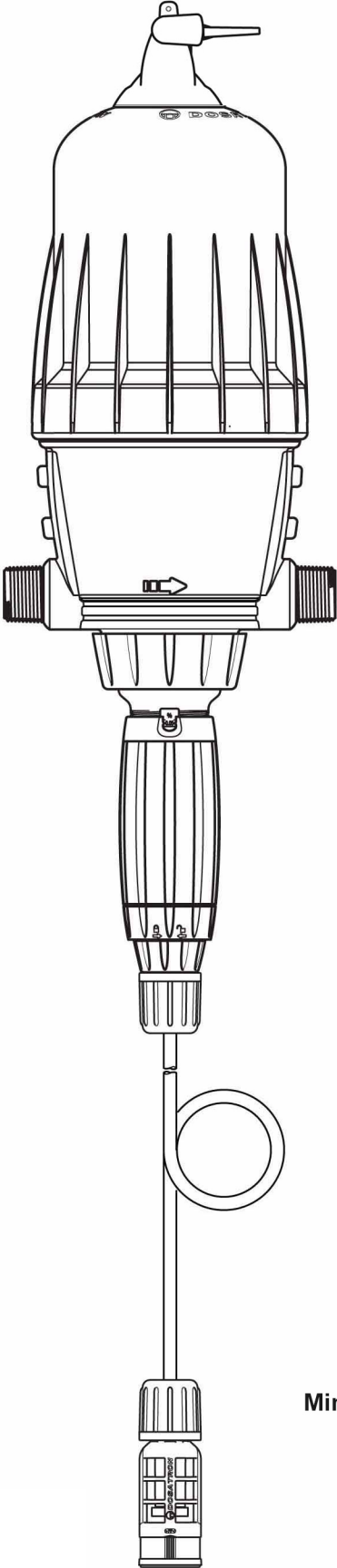


- Click on a part #, to visit item page
- Click arrow back from item page, to return to this document



D14MZ3000VFBPHY

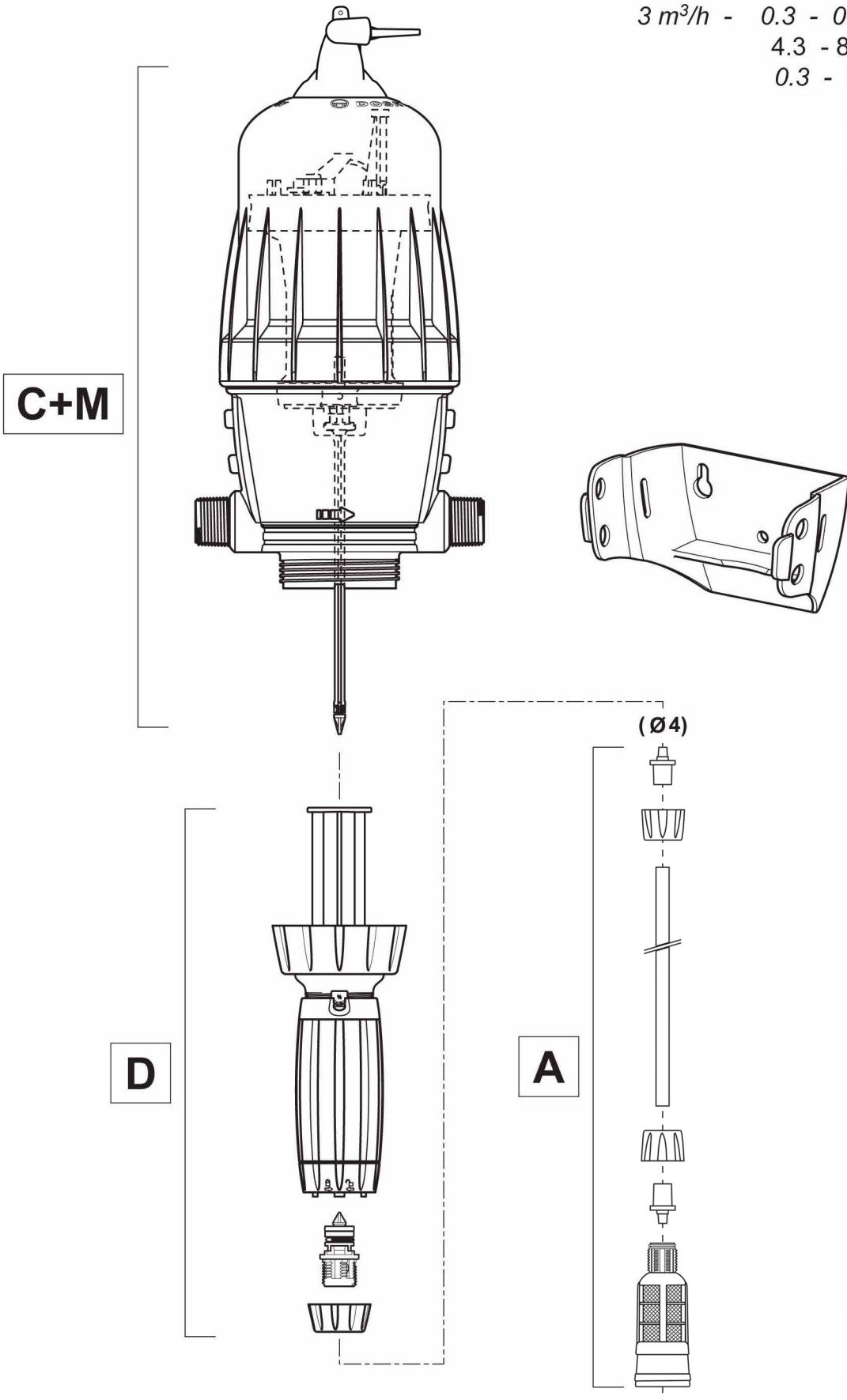
14 GPM - 1:333 - 1:3000
3 m³/h - 0.3 - 0.03%
4.3 - 85 psi
0.3 - 6 bar



Injection Seal Kit Part # PJD1139
Mini Maintenance Kit Part # PJD1139MINI
Rebuild Kit Part # MKD14MZ3000

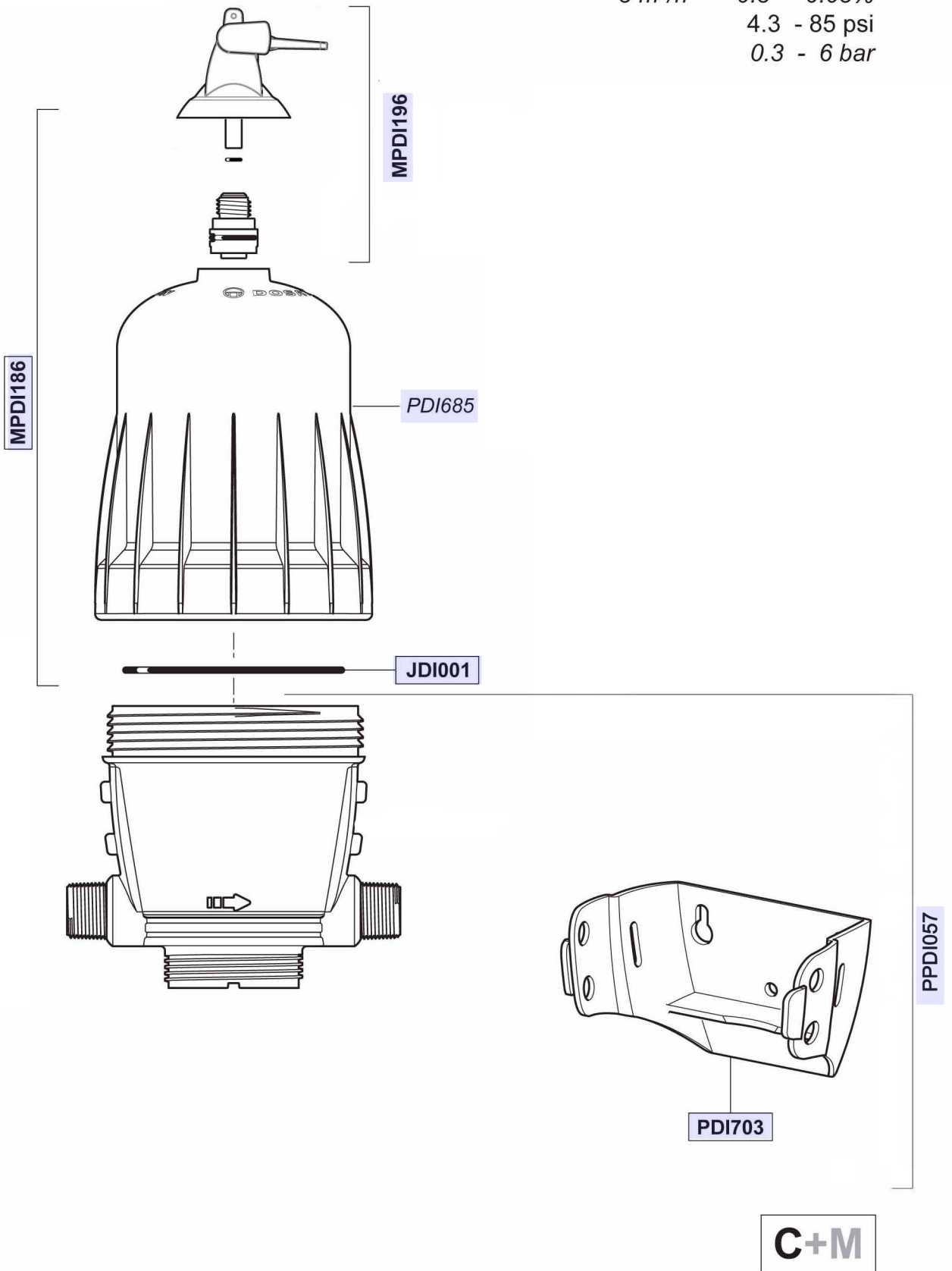
D14MZ3000VFBPHY

14 GPM - 1:333 - 1:3000
3 m³/h - 0.3 - 0.03%
4.3 - 85 psi
0.3 - 6 bar



D14MZ3000VFBPHY

14 GPM - 1:333 - 1:3000
3 m³/h - 0.3 - 0.03%
4.3 - 85 psi
0.3 - 6 bar

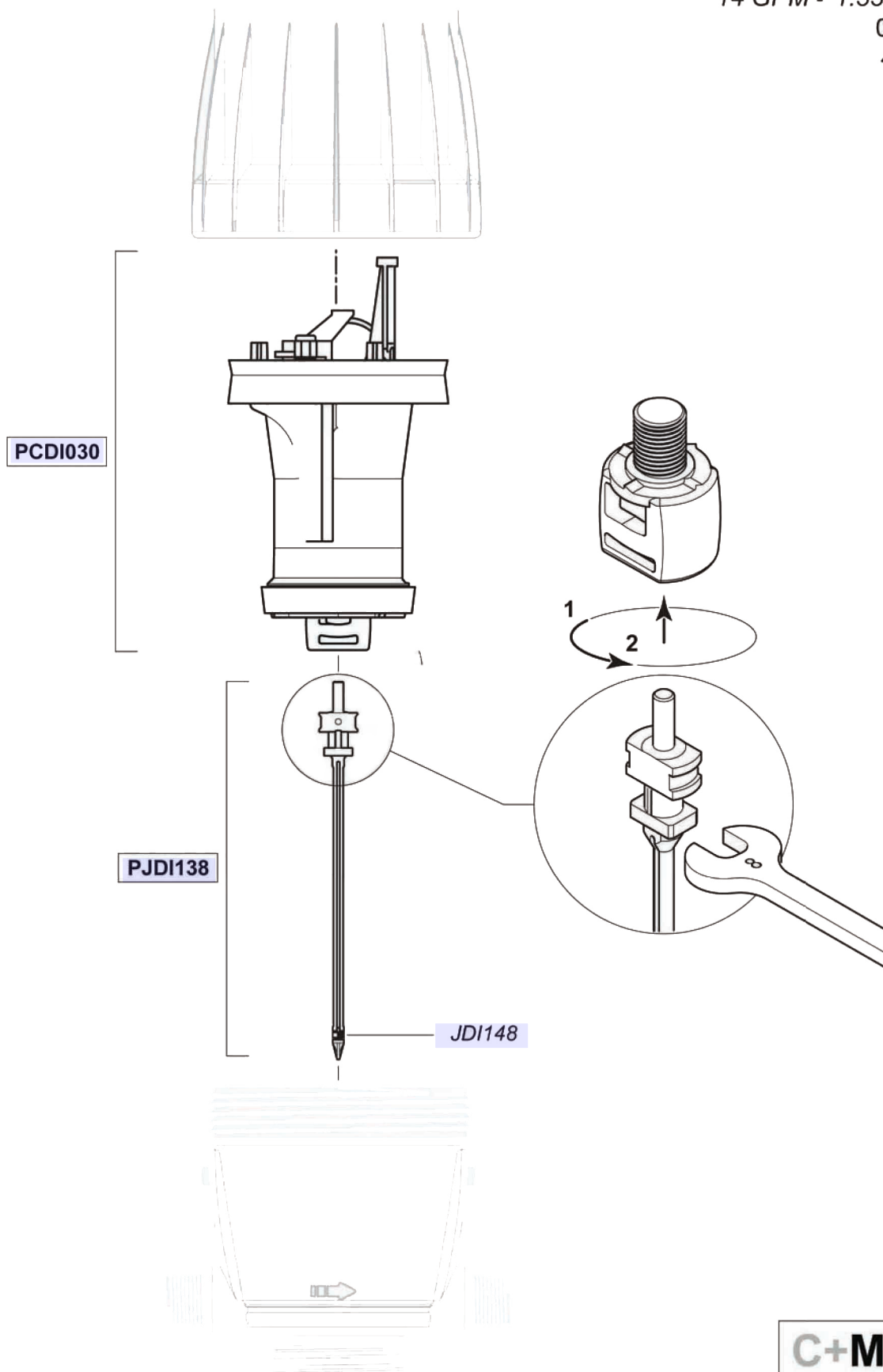


© DOSATRON INTERNATIONAL S.A.S. 2010
D14MZ3000/0410/D3

C+M

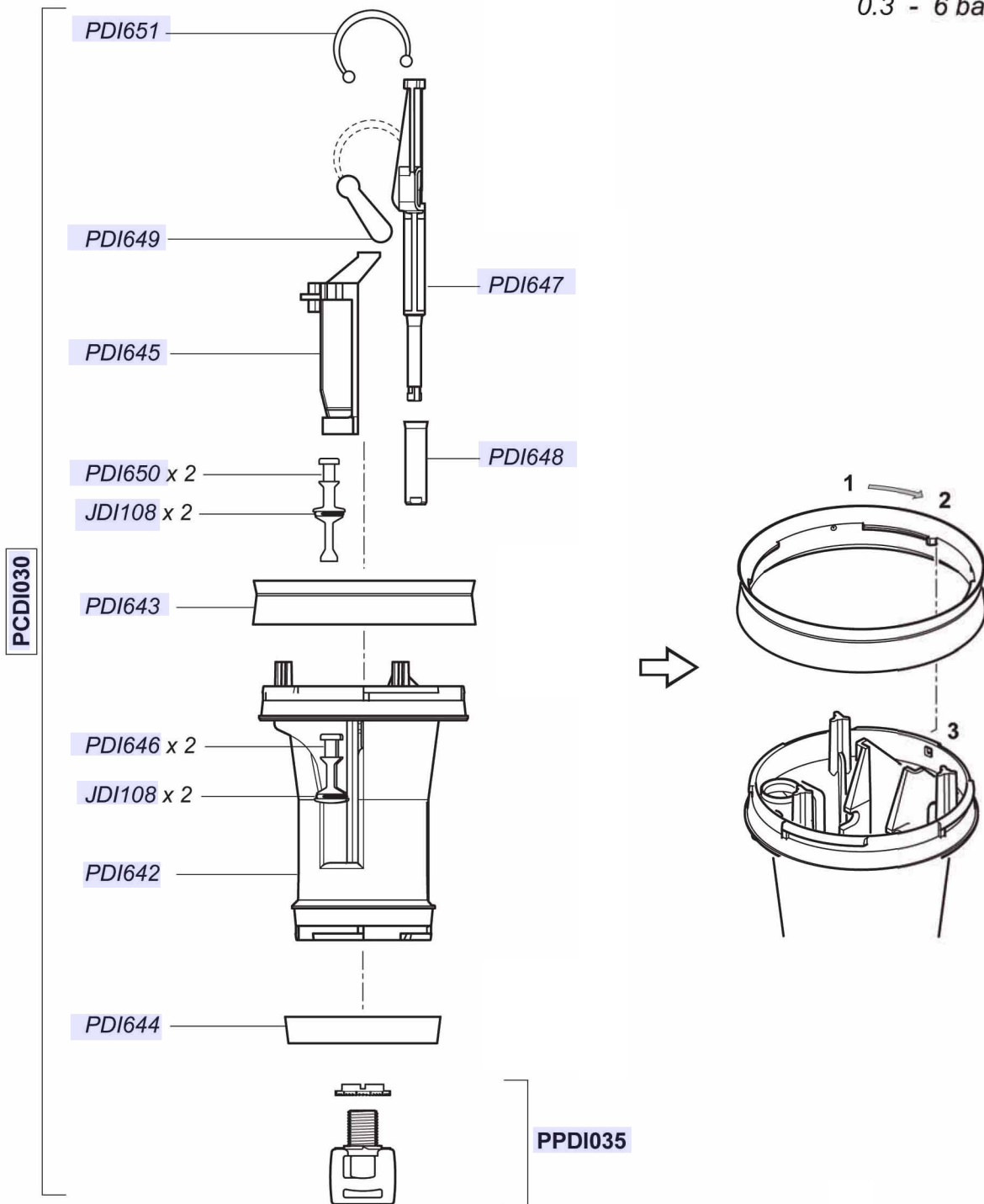
D14MZ3000VFBPHY

3 m³/h - 0.3 - 0.03%
14 GPM - 1:333 - 1:3000
0.3 - 6 bar
4.3 - 85 psi



D14MZ3000VFBPHY

14 GPM - 1:333 - 1:3000
 3 m³/h - 0.3 - 0.03%
 4.3 - 85 psi
 0.3 - 6 bar

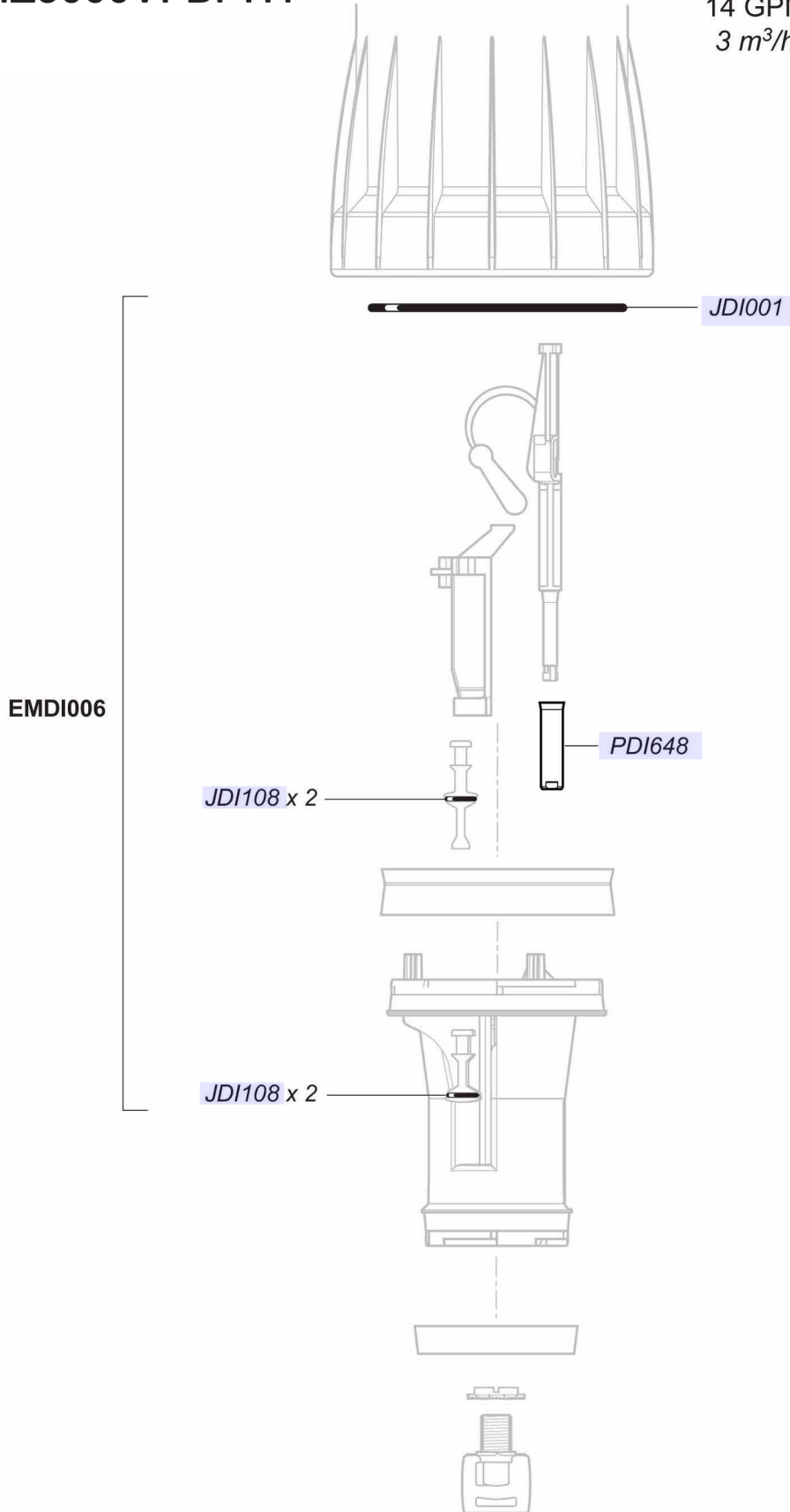


© DOSATRON INTERNATIONAL S.A.S. 2010
 D14MZ3000/0410/D5



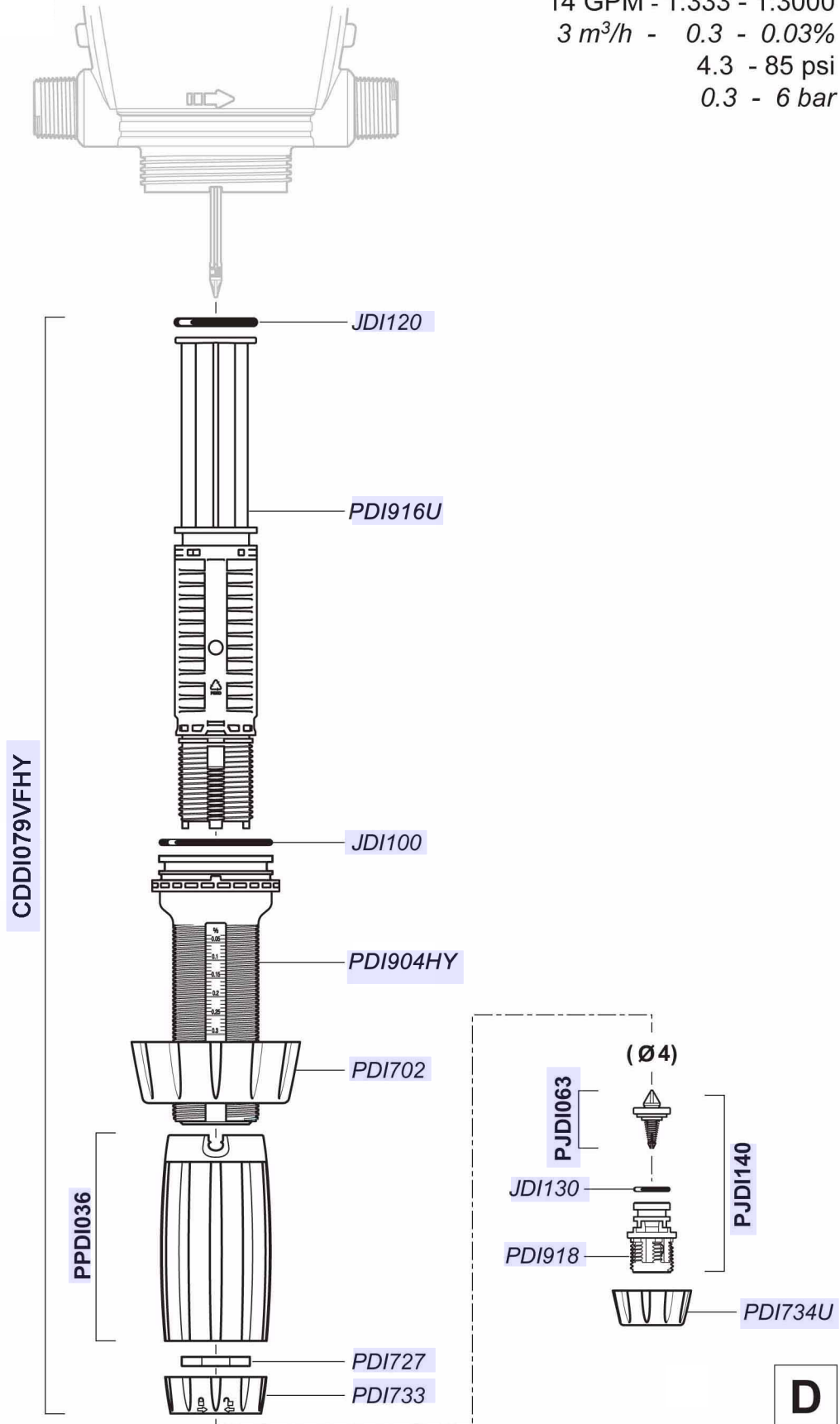
D14MZ3000VFBPHY

14 GPM - 1:333 - 1:3000
3 m³/h - 0.3 - 0.03%
4.3 - 85 psi
0.3 - 6 bar



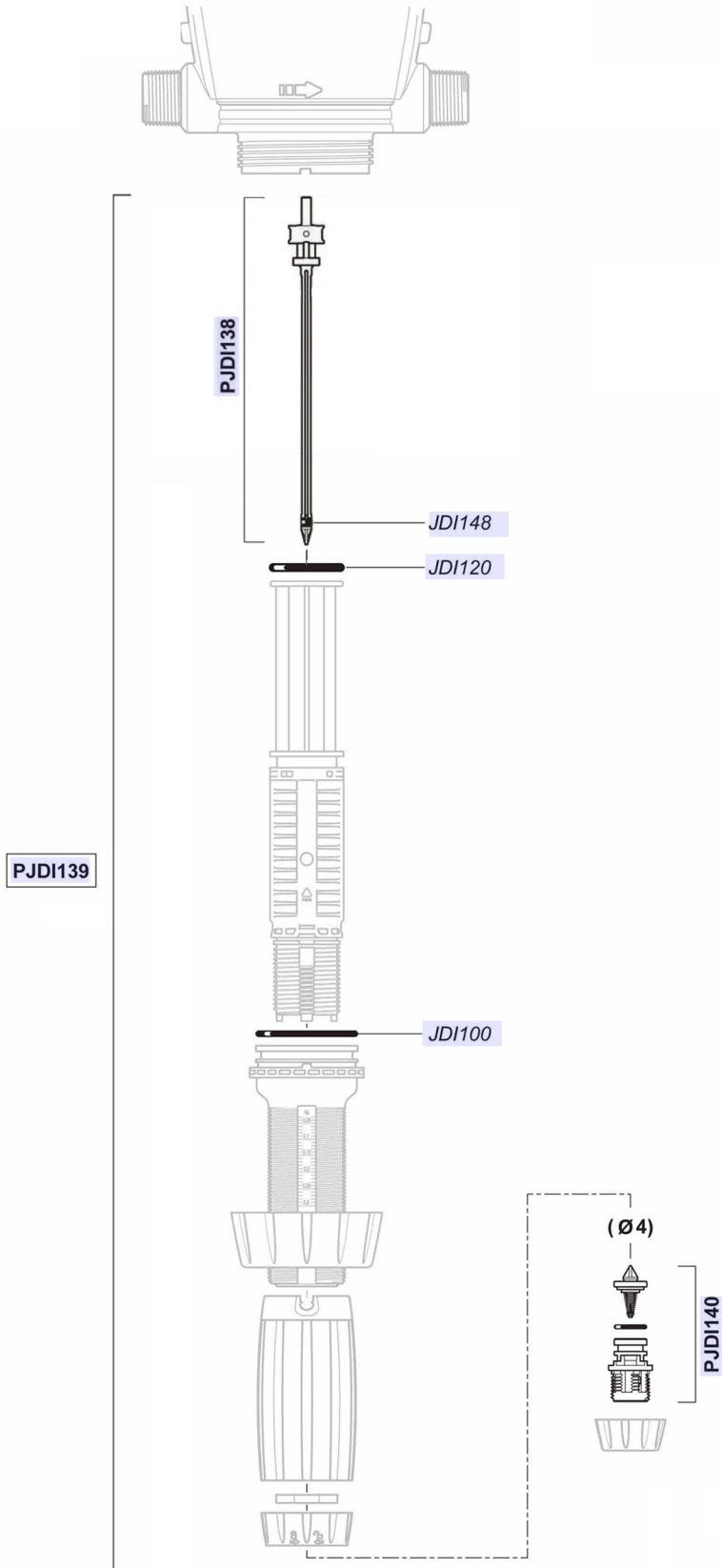
D14MZ3000VFBPHY

14 GPM - 1:333 - 1:3000
 3 m³/h - 0.3 - 0.03%
 4.3 - 85 psi
 0.3 - 6 bar



D14MZ3000VFBPHY

14 GPM - 1:333 - 1:3000
3 m³/h - 0.3 - 0.03%
4.3 - 85 psi
0.3 - 6 bar

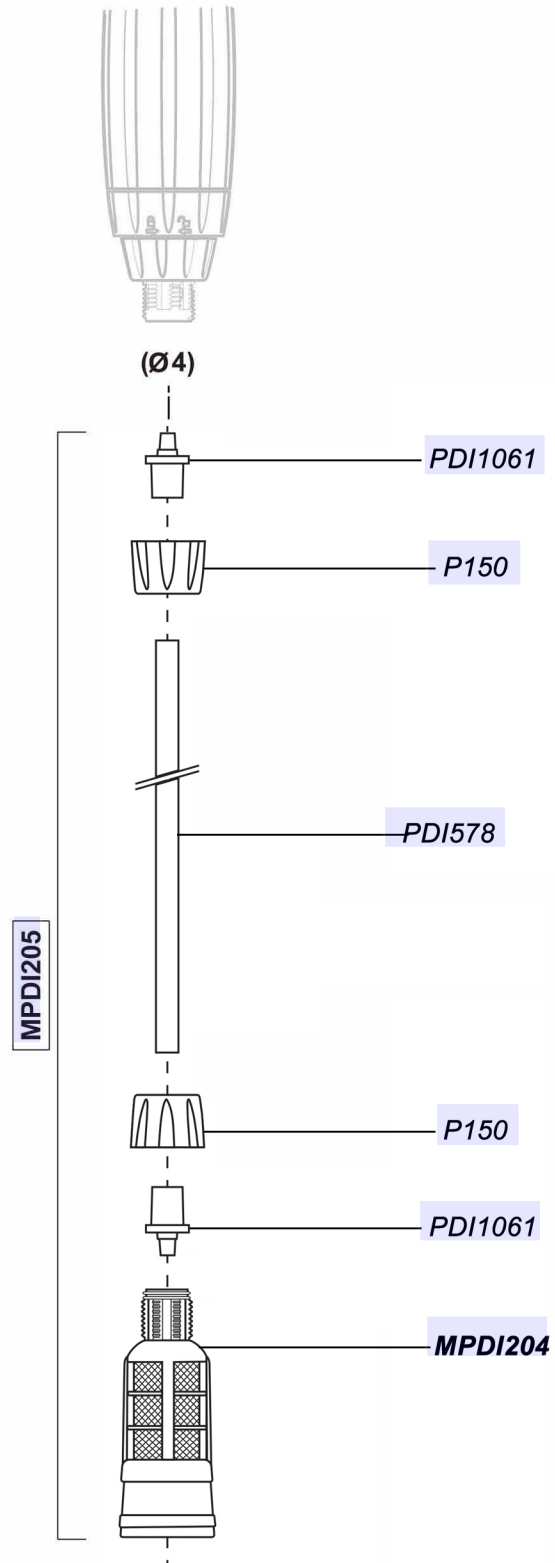


© DOSATRON INTERNATIONAL S.A.S. 2010
D14MZ3000/0410/D8

D

D14MZ3000VFBPHY

14 GPM - 1:333 - 1:3000
3 m³/h - 0.3 - 0.03%
4.3 - 85 psi
0.3 - 6 bar



© DOSATRON INTERNATIONAL S.A.S. 2010
D14MZ3000/0410/D9

A