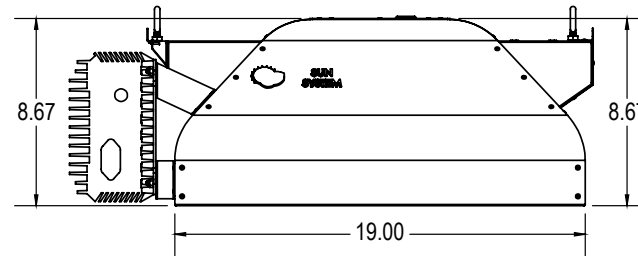
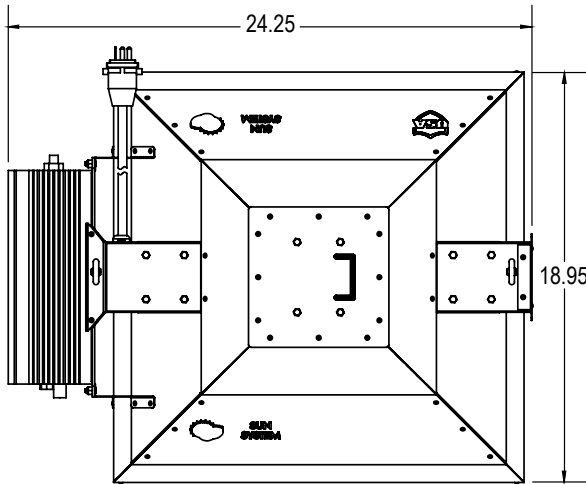


# SPECIFICATIONS

## Sun System® 1000 Watt DE Boss Commercial Fixture 480 Volt Item #906613



**Sun System® 1**

*This document is not intended to be used for installation purposes. We cannot cover all specific applications or anticipate all requirements. All specifications are subject to change without notice.*

• = yes

•	CSA LISTED
<b>Tested to CSA Standard C22.2 No. 74</b>	
•	FCC CERTIFIED
•	FABRICATED IN USA*
<b>LAMP COMPATIBILITY</b>	
•	Double Ended HPS and MH - <b>Max. Wattage: 1000</b>
<b>TRANSFORMER VOLTAGE</b>	
	120 / 208 / 240
	240 ONLY
	277 ONLY
•	480 ONLY
<b>AMPS AT 120V POWER: N/A</b>	
<b>AMPS AT 240V POWER: N/A</b>	
<b>AMPS AT 277V POWER: N/A</b>	
<b>AMPS AT 480V POWER: 2.3</b>	
<b>POWER SOURCE khz: 50/60Hz</b>	
<b>POWER FACTOR (cosφ): &gt; 0.99</b>	
<b>AMBIENT TEMPERATURE: 50°F - 120°F</b>	
<b>TOTAL HARMONIC DISTORTION: &lt; 10%</b>	
<b>POWER CORD</b>	
	DETACHABLE 120 VOLT
	HARD WIRED 277 VOLT w/ L7-15p TWIST LOCK PLUG
•	HARD WIRED 480 VOLT - L8-20P TWIST LOCK PLUG
<b>LAMP CORD RECEPTACLE COMPATIBILITY</b>	
	DUAL UNIVERSAL
•	SUN SYSTEM ONLY
<b>WARRANTY</b>	
	2 YEAR
•	3 YEAR
	5 YEAR

\* with US and globally sourced parts