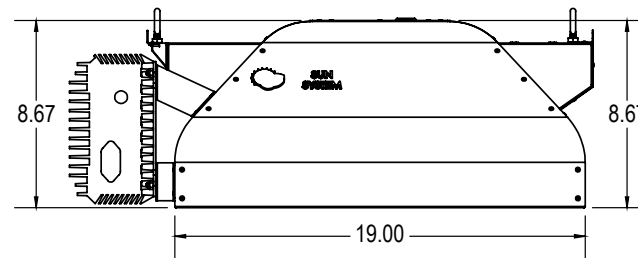
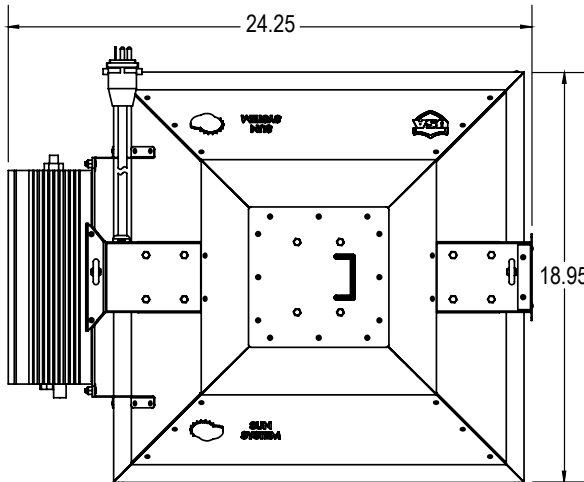


SPECIFICATIONS

Sun System® 1000 Watt DE Boss Commercial Fixture 277 Volt Item #906612



FIXTURE WEIGHT: 19.6 lbs



This document is not intended to be used for installation purposes. We cannot cover all specific applications or anticipate all requirements. All specifications are subject to change without notice.

• = yes

• ETL LISTED
Tested to UL Standard #1598 Tested to CSA Standard C22.2 No. 74
• FCC CERTIFIED
• FABRICATED IN USA*
LAMP COMPATIBILITY
• Double-Ended HPS and MH - Max. Wattage: 1000
LAMP POSITION
• HORIZONTAL
• VERTICAL
TRANSFORMER VOLTAGE
• 277 ONLY
AMPS AT 120V POWER: N/A
AMPS AT 240V POWER: N/A
AMPS AT 277V POWER: 3.8
POWER SOURCE khz: 50/60Hz
POWER FACTOR (cosϕ): > 0.99
AMBIENT TEMPERATURE: 50°F - 120°F
TOTAL HARMONIC DISTORTION: < 10%
POWER CORD
• DETACHABLE CORD W/ 120 VOLT & 240 VOLT PLUGS
• HARD WIRED 277 VOLT w/ L7-15p TWIST LOCK PLUG
• HARD WIRED 480 VOLT - WIRE ONLY (NO PLUG)
LAMP CORD RECEPTACLE COMPATIBILITY
• DUAL UNIVERSAL
• SUN SYSTEM ONLY
• 600 VOLT RATED CORD
WARRANTY
• 2 YEAR
• 3 YEAR
• 5 YEAR

* with US and globally sourced parts