

# VIVOSUN

Designed by **VIVOSUN** in California.  
Made in China



## Roof Grow Tent Series

USER MANUAL

# Love what you grow™

Welcome to **VIVOSUN**

Thank you for choosing VIVOSUN. We are committed to product quality and friendly customer service. If you have any questions or suggestions, please don't hesitate to contact us.

## PRODUCTS INCLUDED IN THIS MANUAL:

Product	Model	SKU
Roof Grow Tent 4FTx4FT	VST-R446	304116-44
Roof Grow Tent 5FTx5FT	VST-R556	304116-55
Roof Grow Tent 8FTx4FT	VST-R846	304116-84

# CONTENTS

Key Features .....	1
Product Contents .....	2
Specifications .....	6
Installation .....	7
VST-R446 .....	7
VST-R556 .....	14
VST-R846 .....	20
Equipment Setup .....	27
Complete Your Setup.....	29
Warranty .....	32

# KEY FEATURES

## 1. Light-Blocking & Highly Reflective Tent Coat

Professional tent coat design with 600D Oxford Nylon exterior and highly reflective Mylar interior.

## 2. Ducting Openings

Multiple ducting openings with adjustable size suitable for different sizes of ductings with no light leakage .

## 3. Viewing Window

A large window with optional flap cover offers a clear view of the interior of the tent.

## 4. Heavy-Duty Frame

Thick metal poles and connectors provide for a sturdy structure.

**Note:** All devices must be distributed evenly on the ceiling bars.

## 5. Waterproof Floor Tray

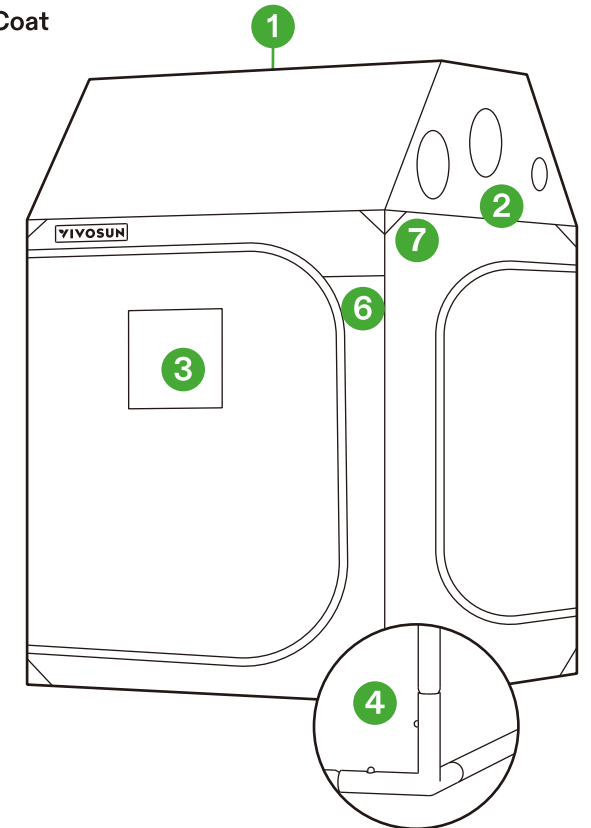
The tray can hold water, soil, and other debris, preventing leakage.

## 6. Unique Wire Opening

Double-covered wire opening for more convenient connection to the outside controller.

## 7. Triangular Plate

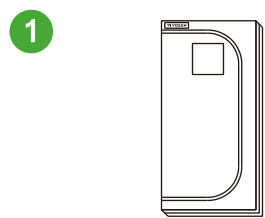
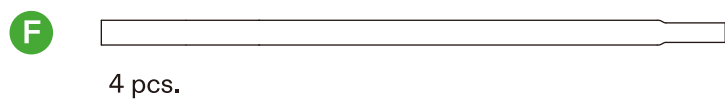
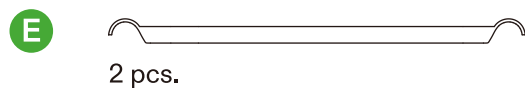
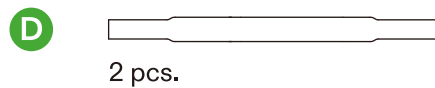
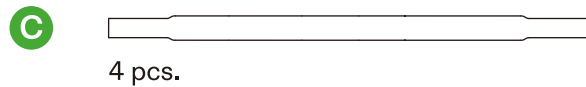
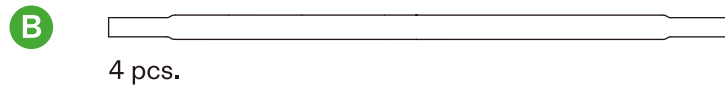
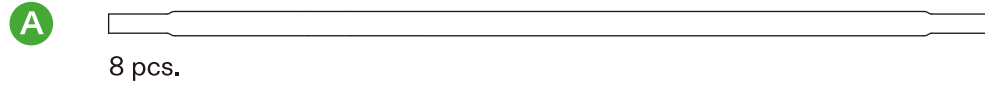
Triangle stiffener increases tent strength.



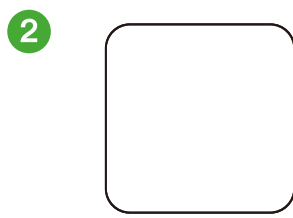
# PRODUCT CONTENTS

VST-R446

Frame Poles & Ceiling Bars



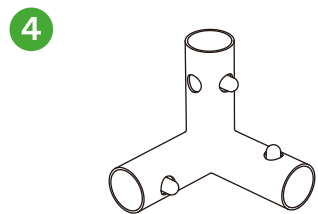
Tent Coat, 1 pc.



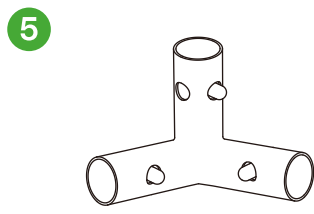
Floor Tray, 1 pc.



Filter Straps, 2 pcs.



Corner Supports 1, 4 pcs.

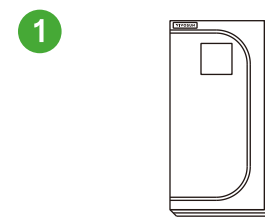
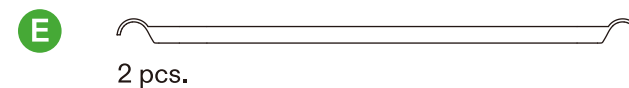
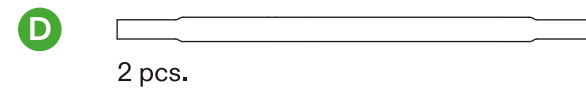
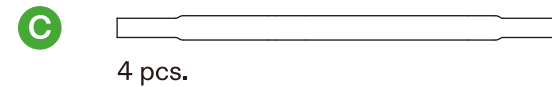
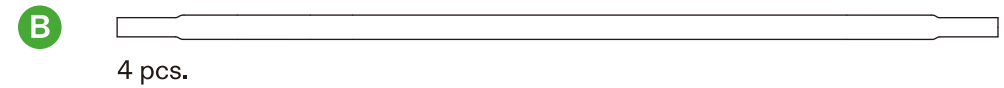
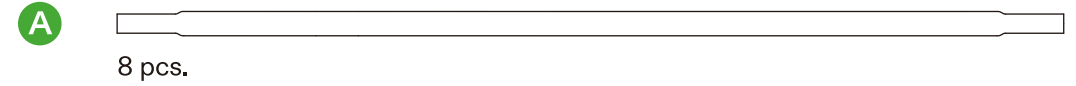


Corner Supports 2, 8 pcs.

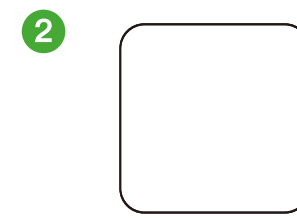
# PRODUCT CONTENTS

VST-R556

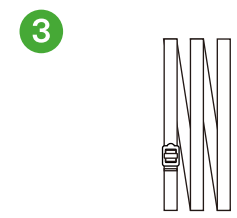
Frame Poles & Ceiling Bars



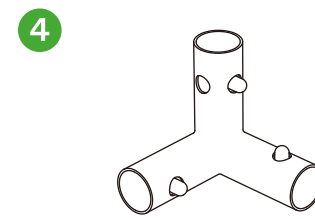
Tent Coat, 1 pc.



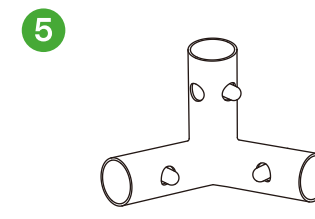
Floor Tray, 1 pc.



Filter Straps, 2 pcs.



Corner Supports 1, 4 pcs.

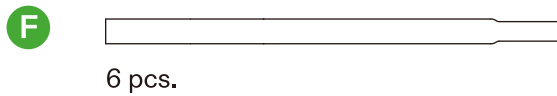
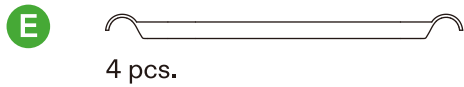
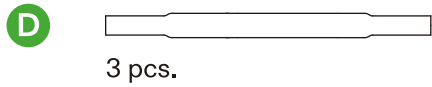
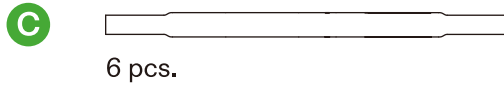
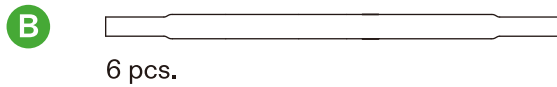
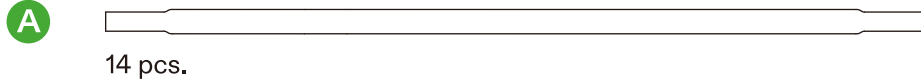


Corner Supports 2, 8 pcs.

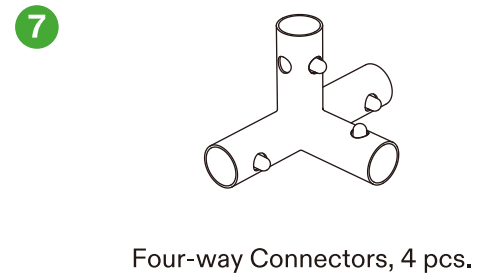
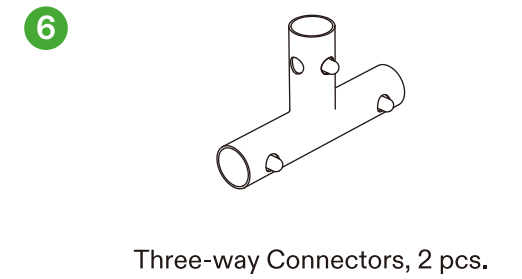
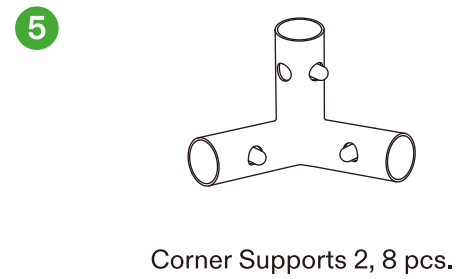
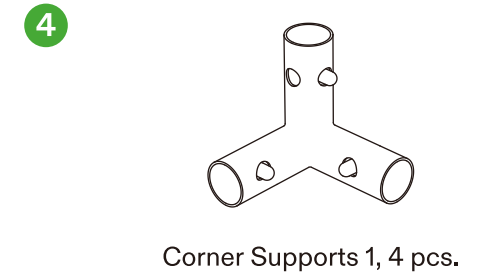
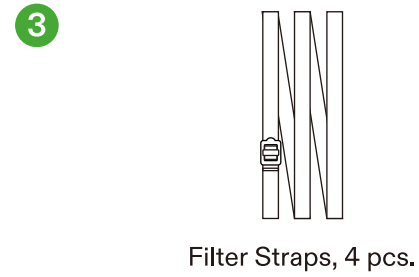
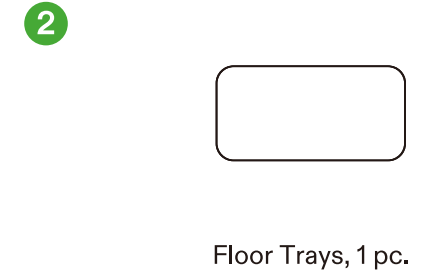
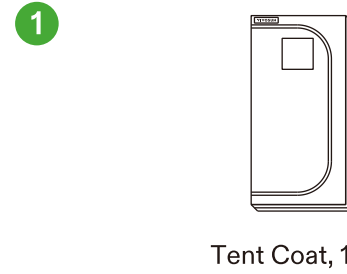
# PRODUCT CONTENTS

VST-R846

Frame Poles & Ceiling Bars



# PRODUCT CONTENTS



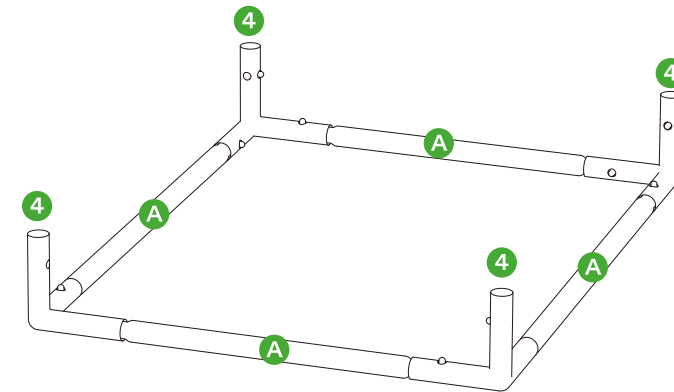
# SPECIFICATIONS

	VST-R446	VST-R556	VST-R846
Dimensions (LxWxH)	48"x48"x72"	60"x60"x72"	96"x48"x72"
Interior Material	Highly Reflective Mylar		
Exterior Material	Oxford Fabric		
Seal Type	SBS Double-Covered Zippers		
Viewing Window	Front Window x1	Front Window x1	Front Window x2
Pole Diameter	16mm	19mm	19mm
Door	Front Door x1 Side Door x1	Front Door x1 Side Door x1	Front Door x2 Back Door x2
Ducting Opening	4" x2 8" x4	4" x2 8" x4	4" x2 8" x4
Air Vents	Pre-Filter Air Vents x2	Pre-Filter Air Vents x2	Pre-Filter Air Vents x4
Floor Tray	48"x48" x1	60"x60" x1	96"x48" x1
Filter Straps	x2	x2	x4
Warranty	1 Year	1 Year	1 Year

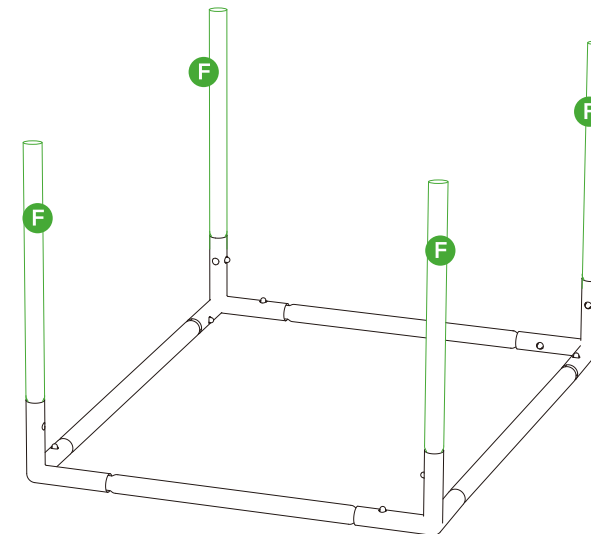
# INSTALLATION

## VST-R446

**STEP 1** Connect the four (A) Poles to the four Corner Supports 1 (4) to form the base frame of the tent.

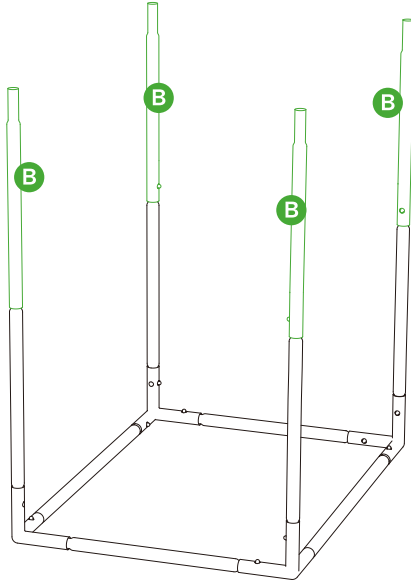


**STEP 2** Connect the four (F) Poles to the Corner Supports 1 (4) of the tent base.

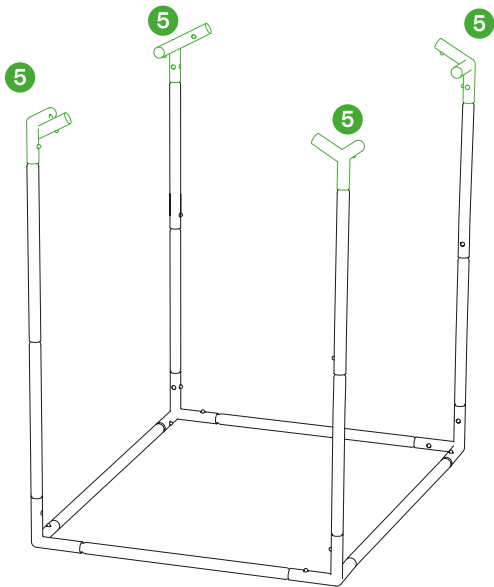


# INSTALLATION

**STEP 3** Connect the four **(B) Poles** to the **(F) Poles**.

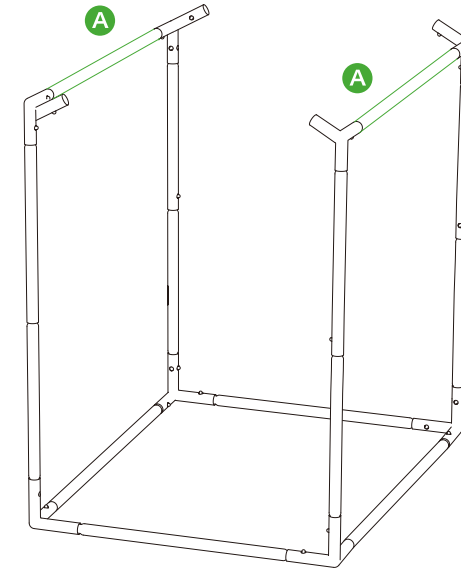


**STEP 4** Attach the four **Corner Supports 2 (5)** to the **(C) Poles** as shown.

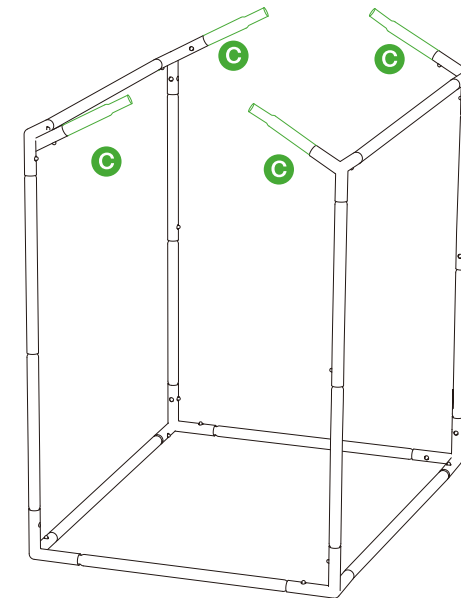


# INSTALLATION

**STEP 5** Connect the two **(A) Poles** to the **Corner Supports 2 (5)** as shown.

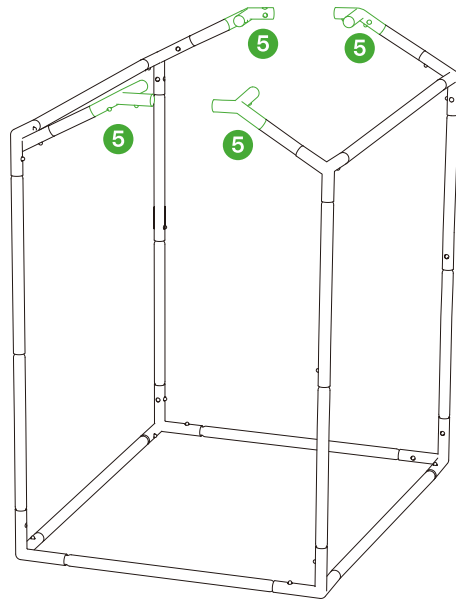


**STEP 6** Attach the four **(C) Poles** to the **Corner Supports 2 (5)** as shown.

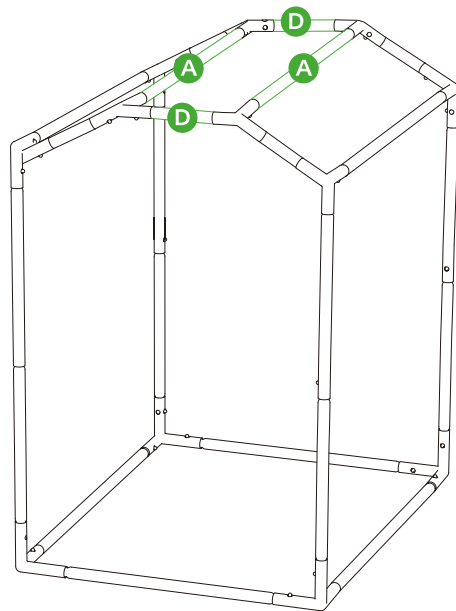


# INSTALLATION

**STEP 7** Mount the other four **Corner Supports 2 (5)** onto the **(D) Poles** as shown.

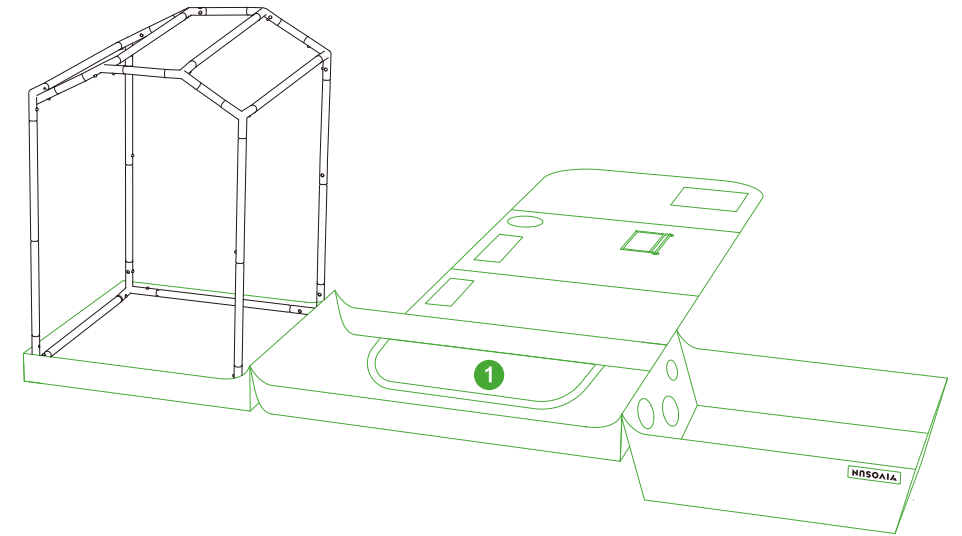


**STEP 8** Connect the two **(A) Poles** and two **(D) Poles** to the **Corner Supports 2 (5)** as shown to form the roof frame of the tent.

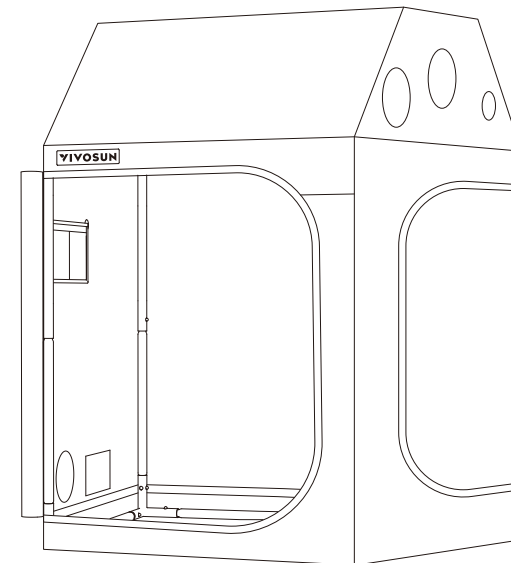


# INSTALLATION

**STEP 9** Unzip and unfold the **Tent Coat (1)** and insert the base frame into the bottom of the **Tent Coat**.



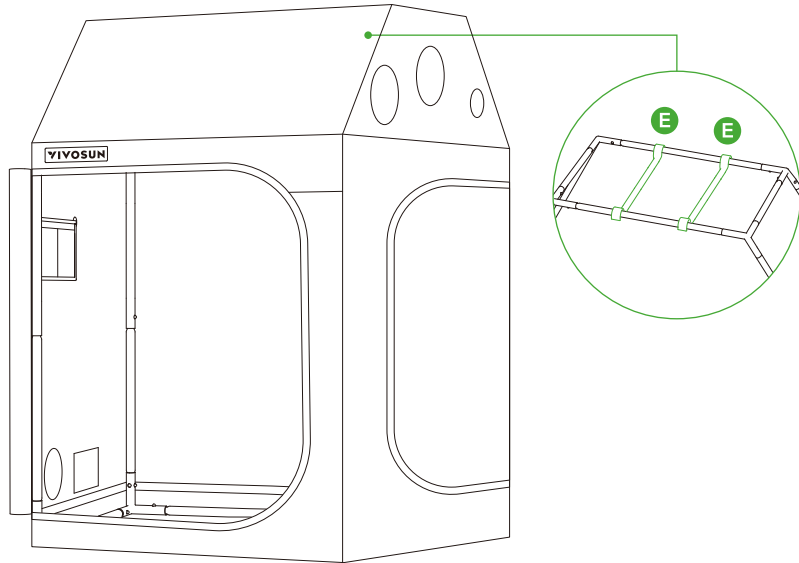
**STEP 10** Pull up the tent roof and cover the top of the frame.



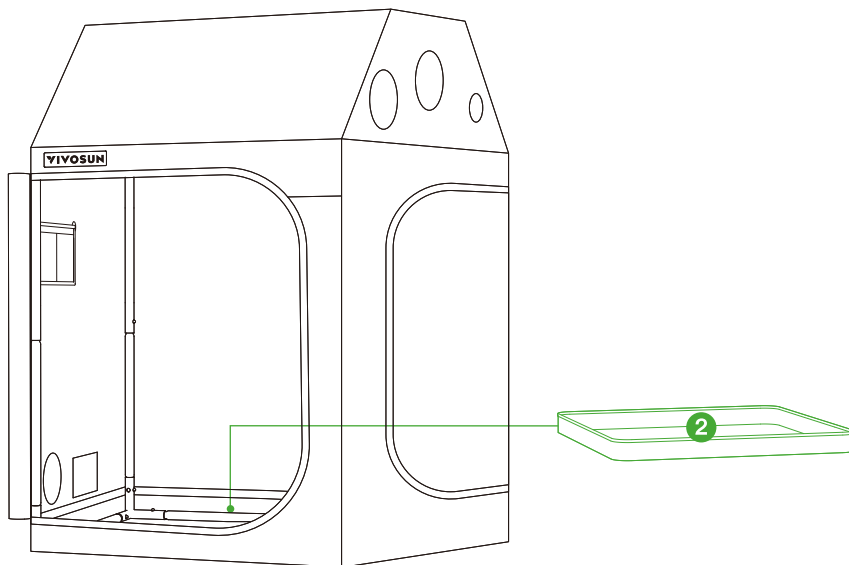


# INSTALLATION

**STEP 11** Place the **Ceiling Bars (E)** on the top frame as shown for hanging equipment like lights and ventilation.

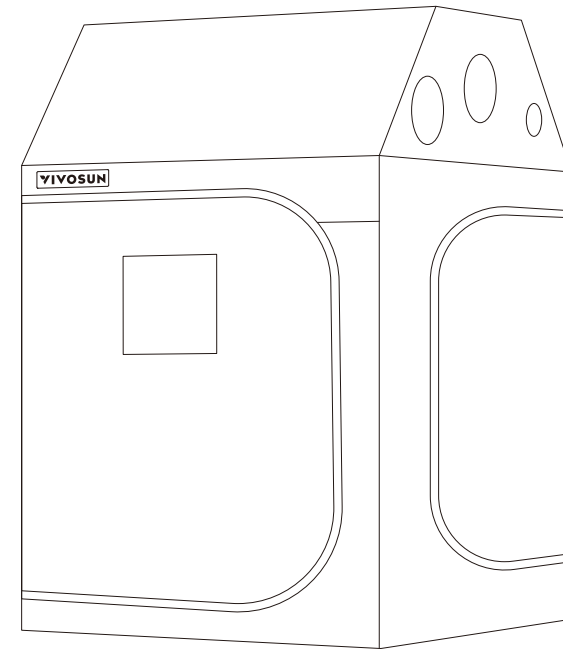


**STEP 12** Place the **Floor Tray (2)** in the tent.



# INSTALLATION

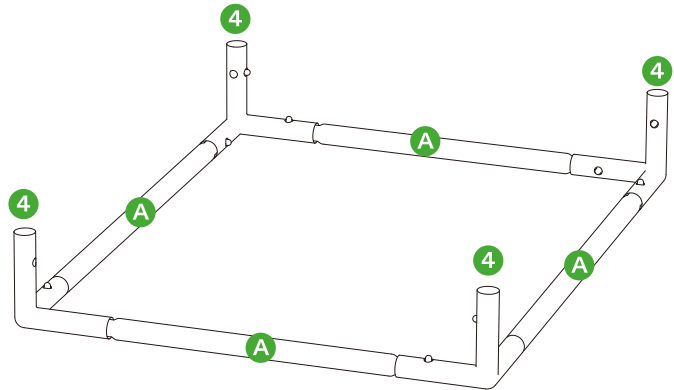
**STEP 13** Pull the zippers to close the tent walls and door. Make sure the tent jacket cover fits the frame at the corners.



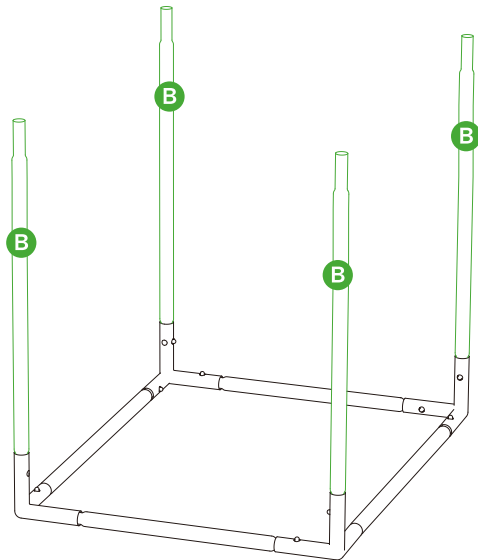
# INSTALLATION

## VST-R556

**STEP 1** Connect the four (A) Poles to four Corner Supports 1 (4) to form the base frame of the tent.

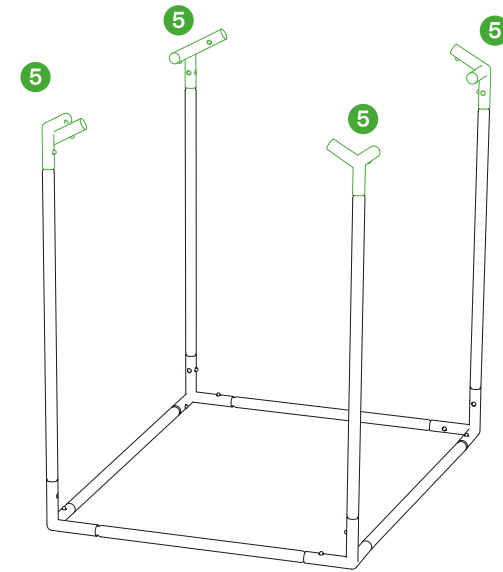


**STEP 2** Connect the four (B) Poles to the Corner Supports 1 (4) of the tent base.

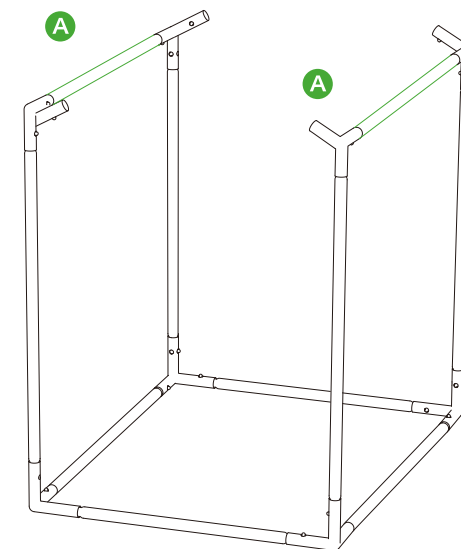


# INSTALLATION

**STEP 3** Mount the four Corner Supports 2 (5) onto (B) Poles as shown.

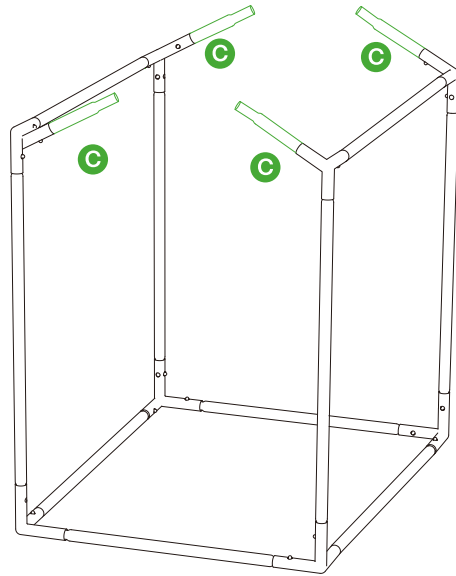


**STEP 4** Connect the two (A) Poles to the Corner Supports 2 (5) as shown.

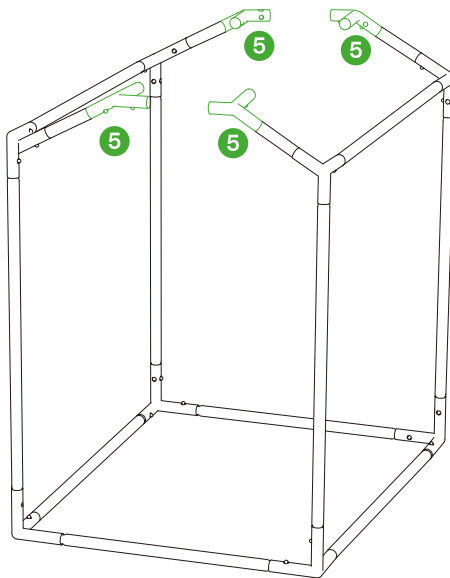


# INSTALLATION

**STEP 5** Connect the four (C) Poles to the Corner Supports 2 (5) as shown.

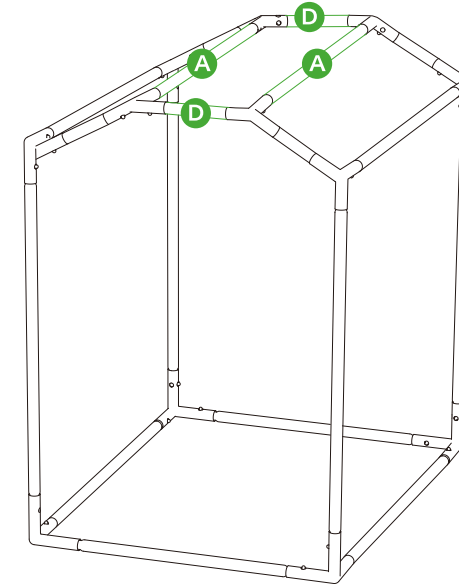


**STEP 6** Mount the other four Corner Supports 2 (5) onto the (C) Poles as shown.

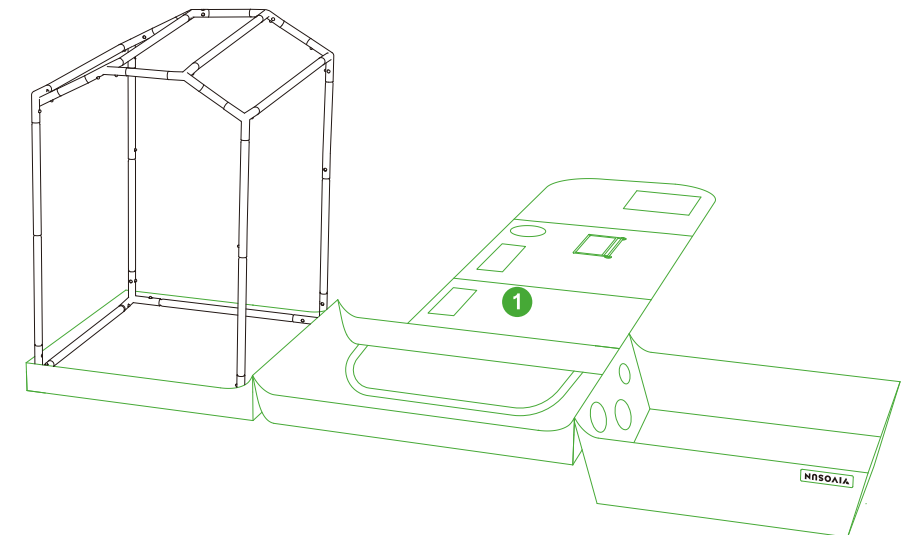


# INSTALLATION

**STEP 7** Connect the two (A) Poles and two (D) Poles to the Corner Supports 2 (5) as shown to form the roof frame of the tent.

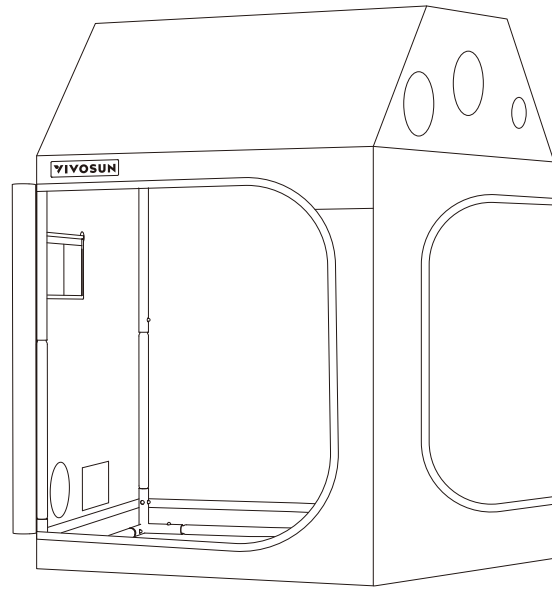


**STEP 8** Unzip and unfold the Tent Coat (1) and put the base frame in the bottom of the Tent Coat.

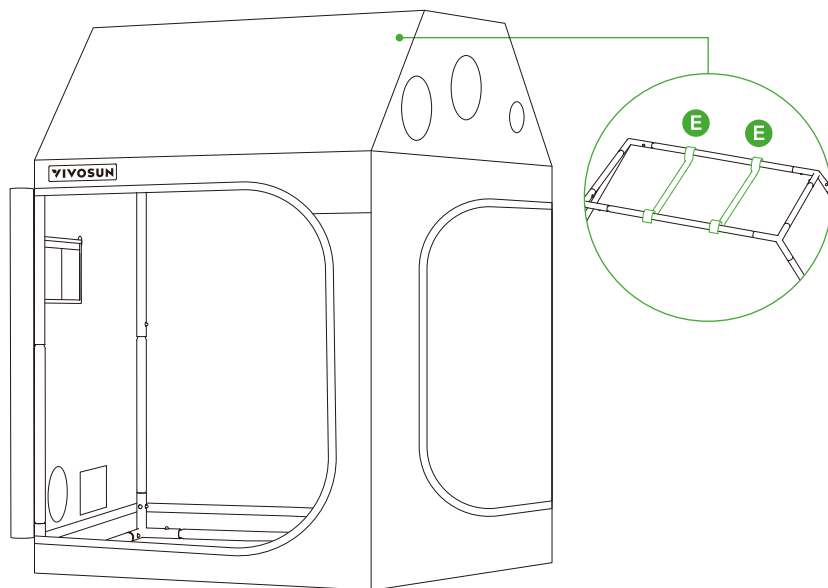


# INSTALLATION

**STEP 9** Pull up the tent roof and cover the top of the frame.

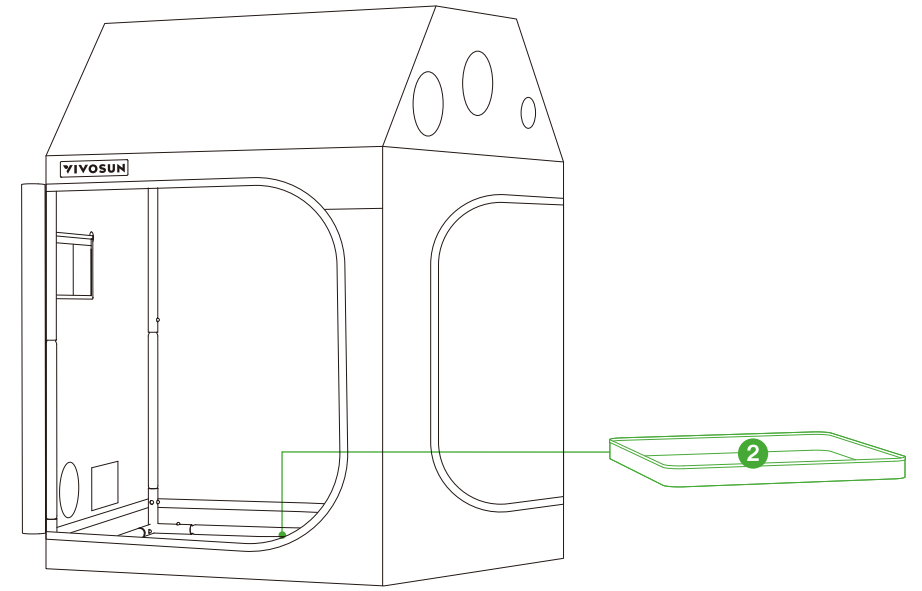


**STEP 10** Place the **Ceiling Bars (E)** on the top frame as shown for hanging devices like lights and ventilation.

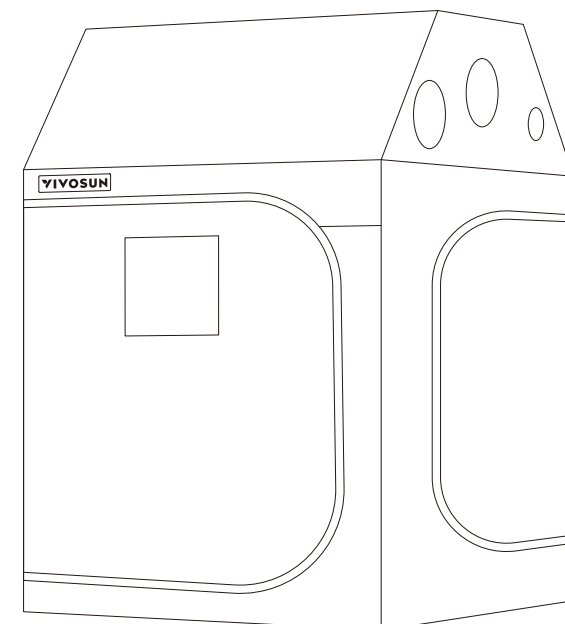


# INSTALLATION

**STEP 11** Place the **Floor Tray (2)** in the tent.



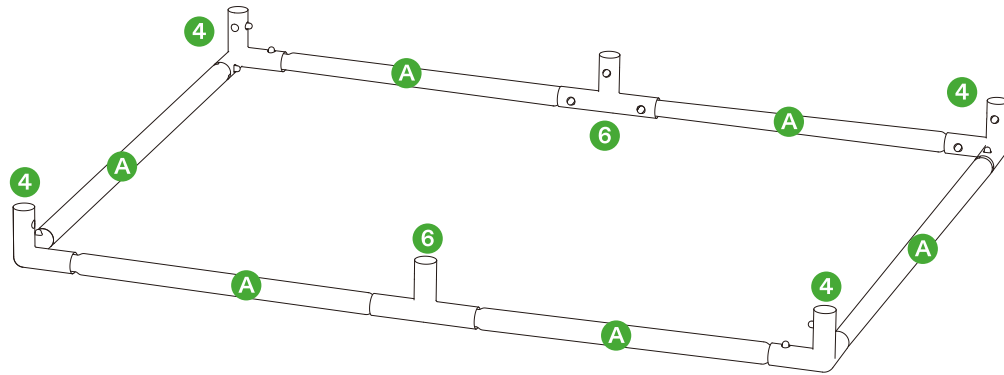
**STEP 12** Pull the zippers to close the tent walls and door. Make sure the tent coat fits the frame at the corners.



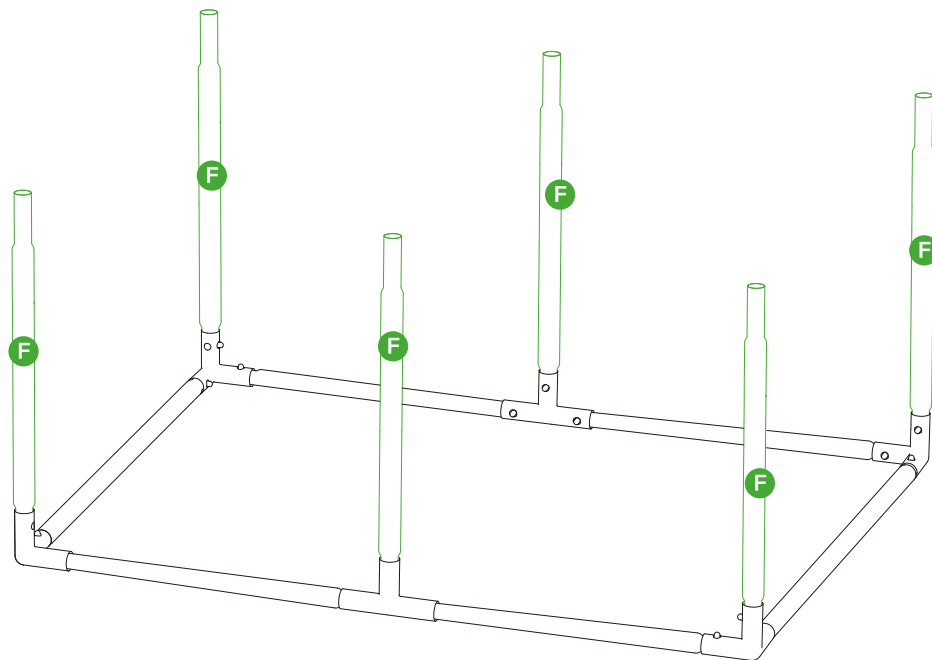
# INSTALLATION

## VST-R846

**STEP 1** Connect the six (A) Poles to four Corner Supports 1 (4) and two Three-way Connectors (6) as shown to form the base frame of the tent.

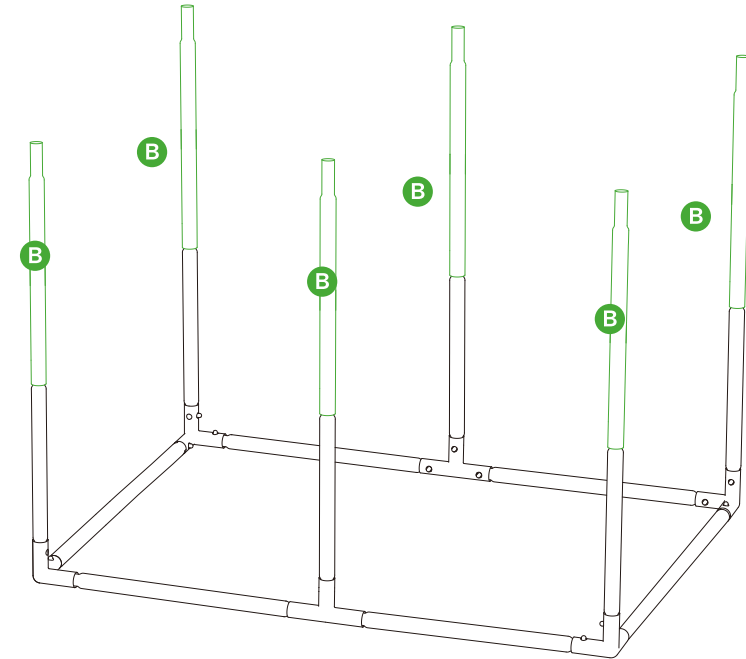


**STEP 2** Connect the six (F) Poles to the Corner Supports 1 (4) and Three-way Connectors (6) of the tent base.

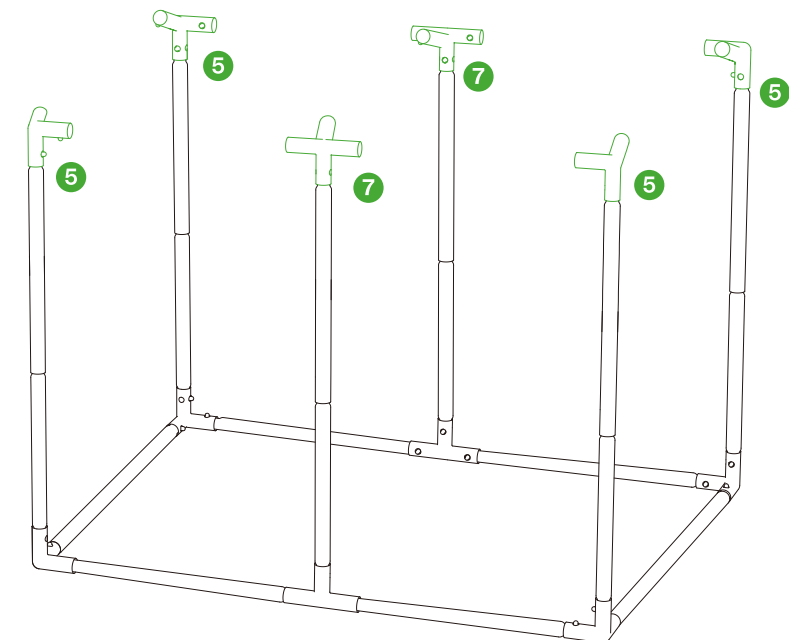


# INSTALLATION

**STEP 3** Connect the six (B) Poles to the (F) Poles.

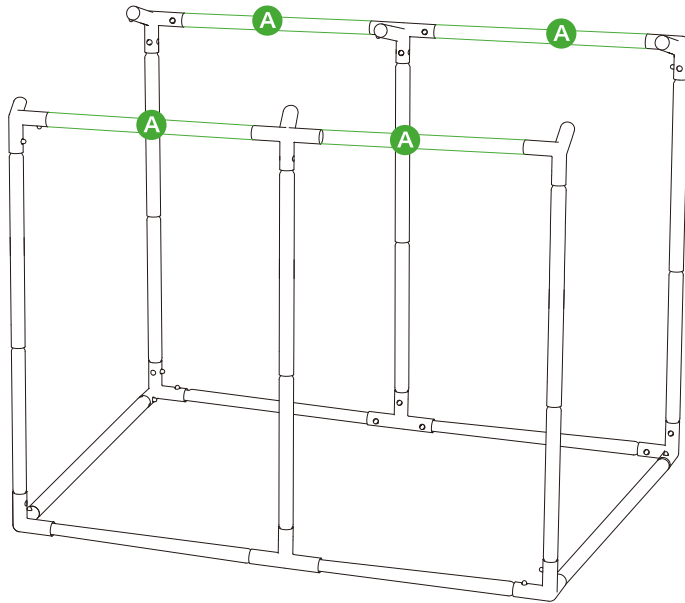


**STEP 4** Mount the four Corner Supports 2 (5) and two Four-way Connectors (7) onto (B) Poles as shown.

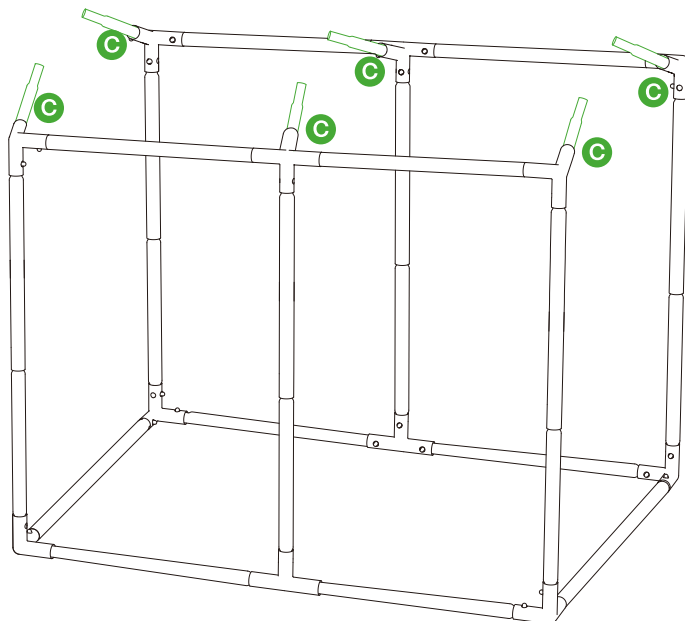


# INSTALLATION

**STEP 5** Connect the four (A) Poles between the Corner Supports 2 (5) and Four-way Connectors (7) as shown.

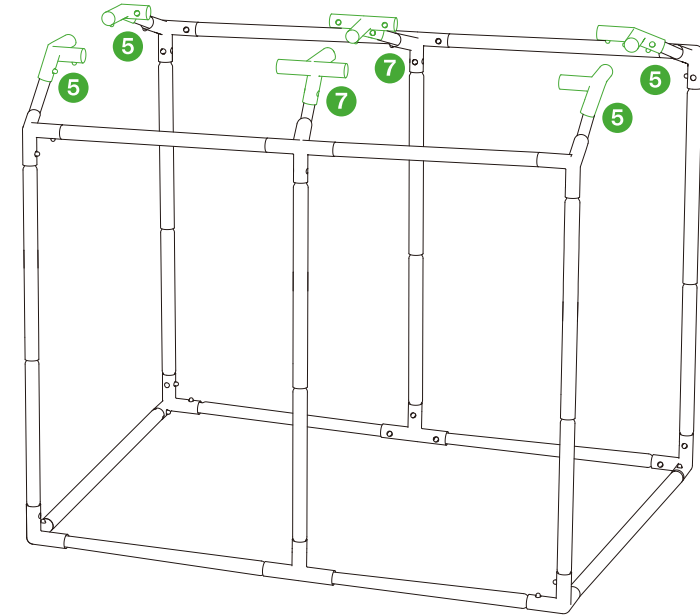


**STEP 6** Connect the six (C) Poles to the Corner Supports 2 (5) and Four-way Connectors (7) as shown.

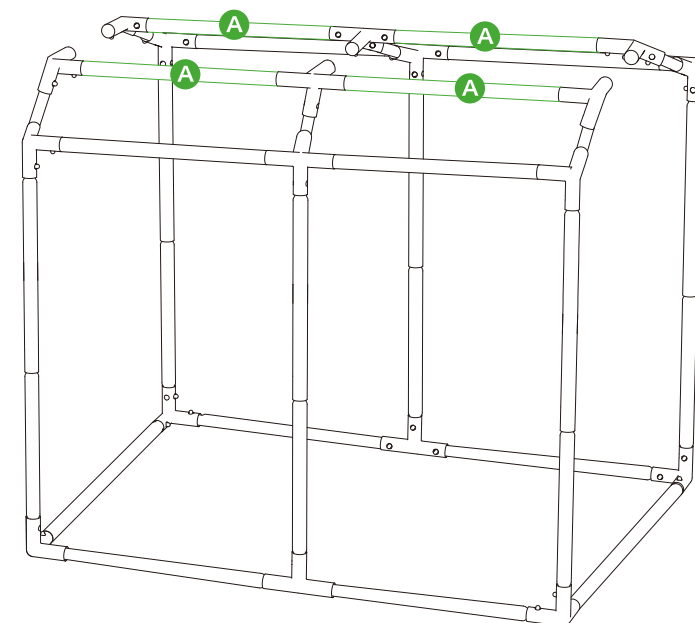


# INSTALLATION

**STEP 7** Mount the other four Corner Supports 2 (5) and two Four-way Connectors (7) onto the (C) Poles as shown.

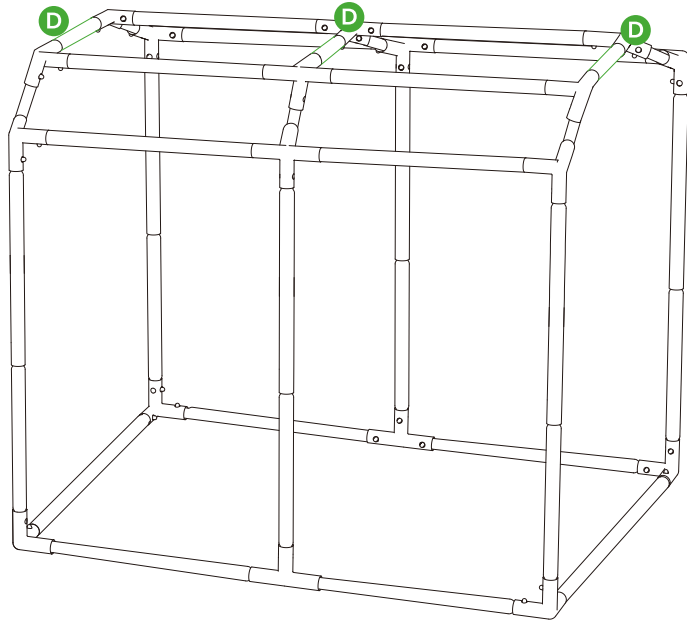


**STEP 8** Connect the four (A) Poles between the Corner Supports 2 (5) and Four-way Connectors (7) as shown.

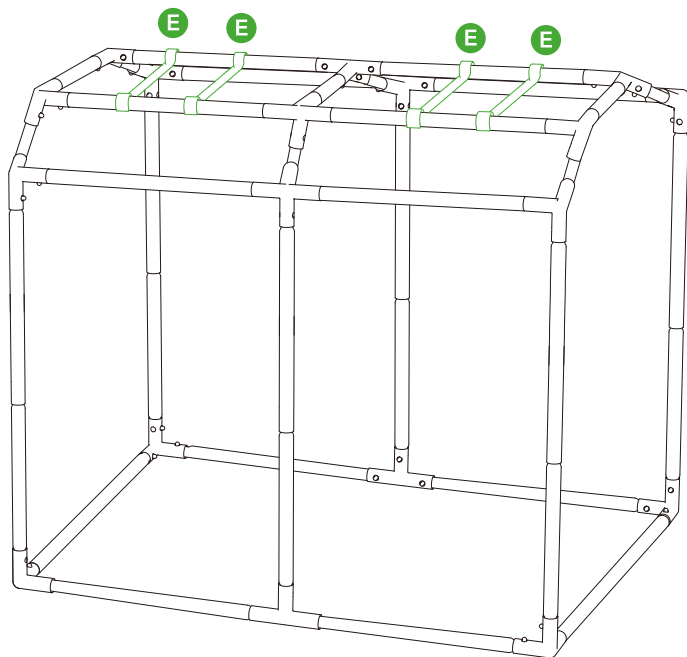


# INSTALLATION

**STEP 9** Connect the three **(D) Poles** to the **Corner Supports 2 (5)** and **Four-way Connectors (7)** as shown to form the roof frame of the tent.

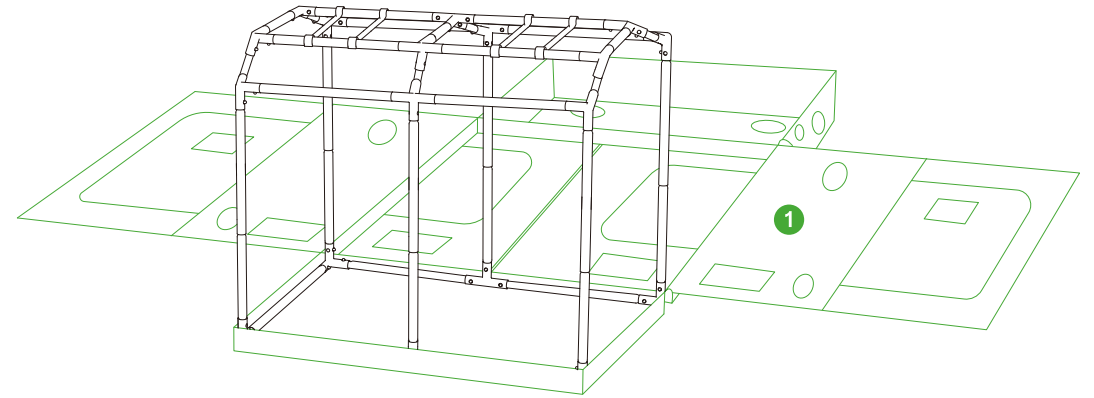


**STEP 10** Place the **Ceiling Bars (E)** on the top frame as shown for hanging equipment like lights and ventilation.

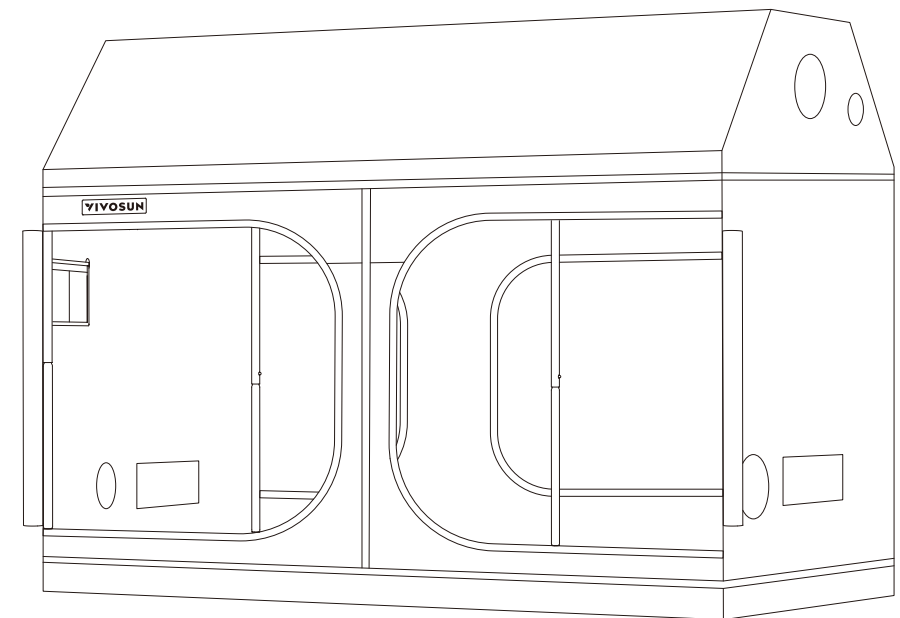


# INSTALLATION

**STEP 11** Unzip and unfold the **Tent Jacket Cover (1)** and insert the base frame in the bottom of the **Tent Jacket Cover**.

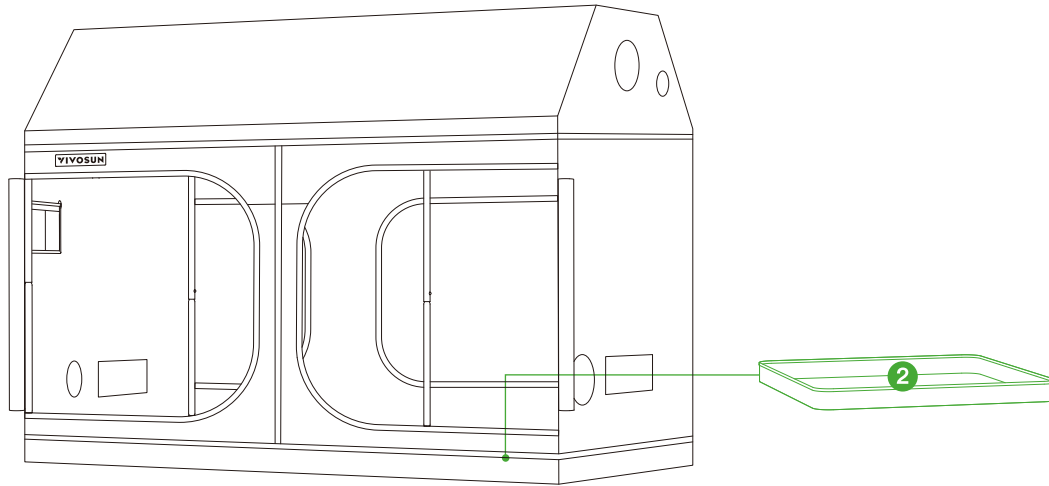


**STEP 12** Pull up the tent roof and cover the top of the frame.

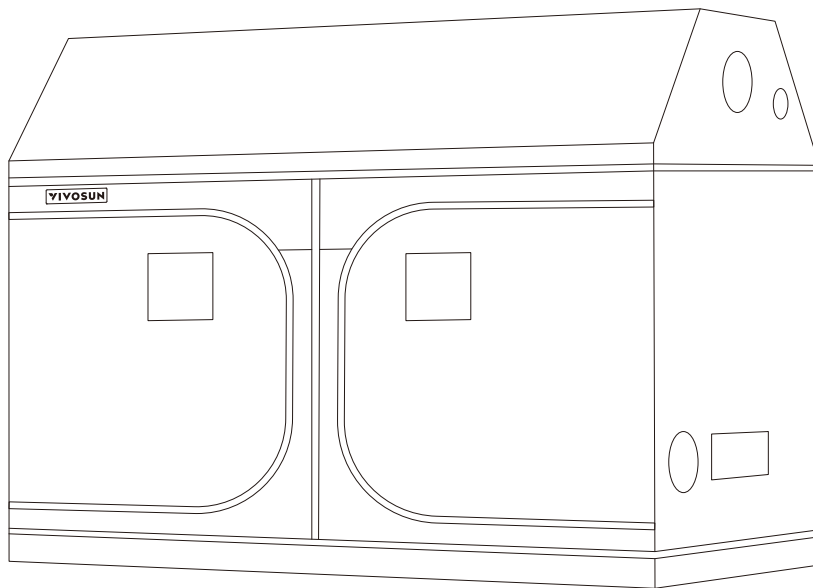


# INSTALLATION

**STEP 13** Place the **Floor Tray (2)** into the tent.



**STEP 14** Pull the zippers to close the tent walls and doors. Make sure the tent Coat fits the frame at the corners.



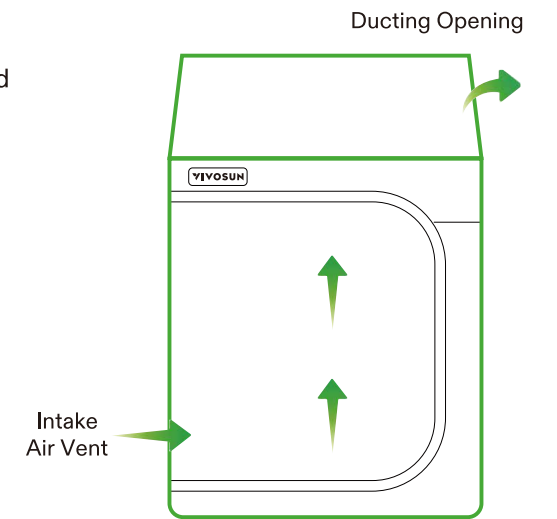
# EQUIPMENT SETUP

## GROW TENT VENTILATION

The grow tent has multiple ducting openings and intake holes for ventilation.

**Ducting Opening:** Install the required ducting onto a suitably sized ducting opening. Utilize the cinches located on both sides of the opening to firmly secure the ducting onto the tent.

**Intake Air Vent:** Facilitates the influx of fresh air into the tent.

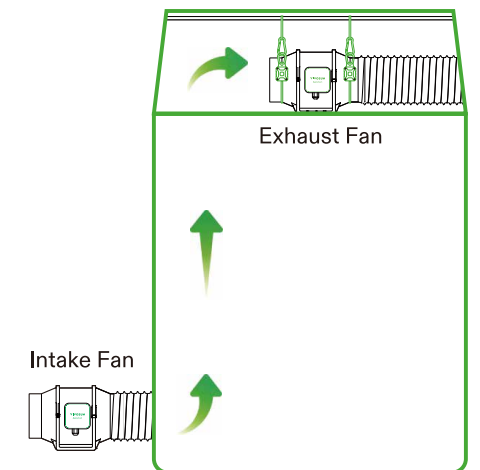


## INLINE FAN APPLICATIONS

The Inline fan can be used as an exhaust fan or an intake fan in a grow tent.

**Exhaust fan:** Hung or mounted on the highest opposite corner of the Intake Fan inside your grow tent. Airflow arrow points away from your grow tent.

**Intake fan:** Mounted at a bottom corner outside of your grow tent. Airflow arrow points toward your grow tent.

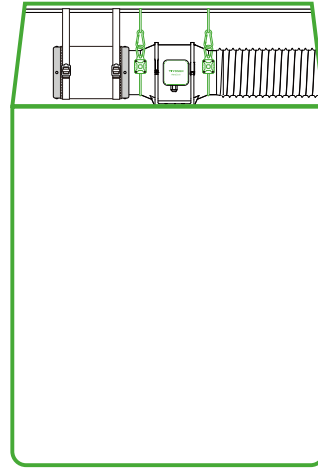




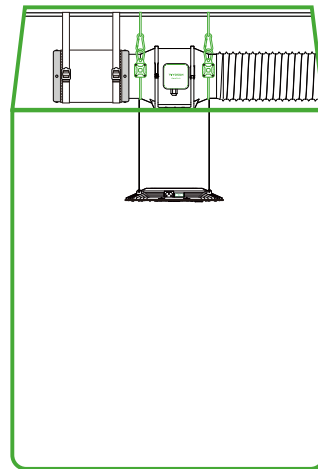
# EQUIPMENT SETUP

## STANDARD SETUP

**Inline Fan & Carbon Filter:** Choose an appropriate inline fan suitable for your grow tent. Hang the inline fan on the ceiling bar of the tent and connect with ductings on the air outlet side of the fan. Install a carbon filter on the air inlet side of the tent and hang with straps (provided with tent).



**Grow Light:** Choose an appropriate grow light for your tent. Install the grow light with rope hangers after installing the inline fan and carbon filter. Adjust the light to an appropriate height.

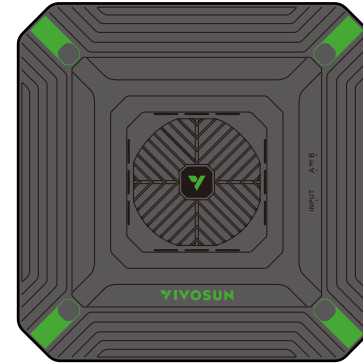


# COMPLETE YOUR SETUP

## LED GROW LIGHT

AeroLight/VS/VSX/VSF

- 100W-645W high-powered LED grow light
- High PPE efficacy with Samsung LED
- Full spectrum including FR/UV
- 0-100% dimming with daisy-chain capability
- ETL/CE/FCC certified
- Compatible with GrowHub controller



## CONTROLLER

GrowHub E42/E42A

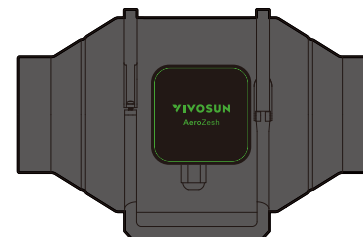
- WiFi remote control with VIVOSUN App
- Complete control of lights, inline fans and circulation fans
- Temp./Humidity monitoring and control
- Compatible with VIVOSUN devices such as AeroLight, AeroZesh, VS series lights
- Professional controller designed for growers of all levels



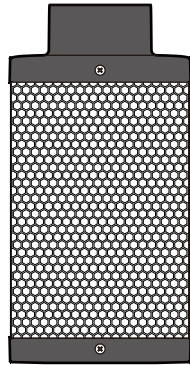
## INLINE DUCT FAN

AeroZesh

- Efficient airflow with high static pressure
- 4" / 6" / 8" for different sized tents
- Energy efficient and quiet EC motor
- Dual ball bearings with long lifespan
- Precise fan speed adjustment by PWM
- Compatible with GrowHub controller for multiple professional operation modes

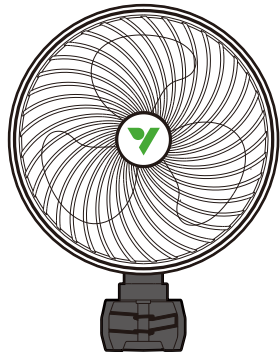


## COMPLETE YOUR SETUP



### CARBON FILTER

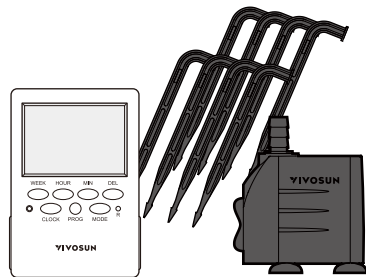
- Eliminates odors and refreshes air
- Premium-grade Australian charcoal
- High absorption efficiency and long lifespan
- 4" /6" /8" compatible with different inline fans



### CLIP-ON CIRCULATION FAN

AeroWave

- Patented clip-on design
- Automatic oscillation
- Adjustable fan speed
- High airflow and energy efficient
- Compatible with GrowHub controller (E Series)

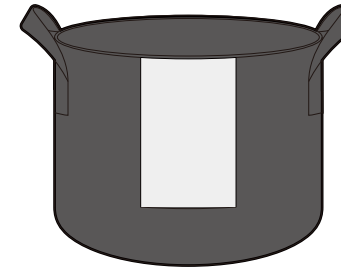


### IRRIGATION SYSTEM

Flexfeed

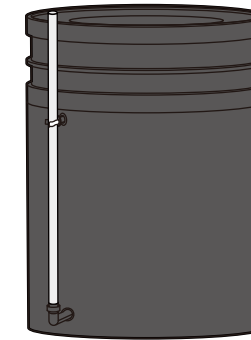
- Automated drip irrigation system
- Professional irrigation settings
- Precise and stable irrigation
- Quiet and efficient
- Easy to install

## COMPLETE YOUR SETUP



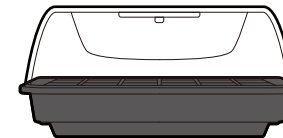
### GROW BAG

- Various sizes ranging from 1-30 gallons
- 300G durable nonwoven fabric
- Root breathable and air pruning



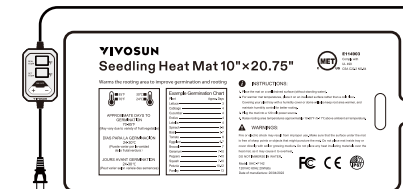
### DWC HYDROPONIC SYSTEM

- DWC+Top Dripping hydroponic system
- Efficient air-driven top dripping technology
- One or four 5-gallon bucket(s)
- Suitable from seedling to harvest
- Easy to install and automated operation



### PROPAGATION TRAY & HEAT MAT

- Propagation tray and heat mat kit
- Transparent dome with humidity adjustment
- Heat mat with precise temperature control
- Easy and safe to use



For additional information about our products and personalized recommendations for a growing system tailored to your needs, please don't hesitate to get in touch with us.

# WARRANTY

VIVOSUN provides a one-year warranty against defects on all grow tents purchased directly from us or through our authorized dealers. This policy serves as our commitment to promptly address any manufacturing defects or premature breakage that may occur during normal use of our products.

Our warranty covers the replacement or refund of purchases that exhibit material defects within one year of the original purchase date. In such events, customers may contact us to initiate the claim process. We will need proof of purchase to verify coverage eligibility.

This policy does not extend to protect that have been misused, abused, or purposefully damaged. It also does not cover normal wear and tear or cosmetic defects such as minor scratches.

Customers can rest assured knowing that our products undergo rigorous quality testing procedures. This one-year warranty reflects our confidence in the durability of our products under normal use.



If any product defects are found, customers are encouraged to contact us immediately. Your satisfaction is our priority, and we are committed to resolving any issues in a professional and timely manner.