

VIVOSUN

Designed by **VIVOSUN** in California.
Made in China



Grow Tent Pro Series

USER MANUAL

Love what you grow™

Welcome to **VIVOSUN**

Thank you for choosing VIVOSUN. We are committed to product quality and friendly customer service. If you have any questions or suggestions, please don't hesitate to contact us.

PRODUCTS INCLUDED IN THIS MANUAL:

Product	Model	SKU
Grow Tent Pro 2FTx2FT	VST-P224	304113-P224
Grow Tent Pro 2.7FTx2.7FT	VST-P276	304113-P276
Grow Tent Pro 3FTx3FT	VST-P336	304113-P336
Grow Tent Pro 4FTx2FT	VST-P426	304113-P426
Grow Tent Pro 4FTx4FT	VST-P448	304113-P448
Grow Tent Pro 5FTx5FT	VST-P558	304113-P558
Grow Tent Pro 8FTx4FT	VST-P848	304113-P848
Grow Tent Pro 10FTx5FT	VST-P105	304113-P105
Grow Tent Pro 8FTx8FT	VST-P888	304113-P888
Grow Tent Pro 10FTx8FT	VST-P108	304113-P108

CONTENTS

Key Features	1
Product Contents	2
Specifications	7
Installation	11
VST-P224/P276/P336/P448/P558	11
VST-P426	17
VST-P848/P105	23
VST-P888/P108	29
Equipment Setup	35
Complete Your Setup	37
Warranty	40

KEY FEATURES

1. Light-Blocking & Highly Reflective Tent Coat

Professional tent coat design with 2000D Oxford Nylon exterior and highly reflective Mylar interior.

2. Ducting Opening

Multiple ducting openings with an adjustable size suitable for different sizes of ductings with no light leakage.

3. Viewing Window

A large window with optional flap cover offers a clear view of the interior of the tent.

4. Heavy-Duty Frame

Thick metal poles and connectors provide for a sturdy structure.

Note: All devices must be distributed evenly on the ceiling bars.

5. Waterproof Floor Tray

The tray can hold water, soil and other debris, preventing leakage.

6. Unique Wire Opening

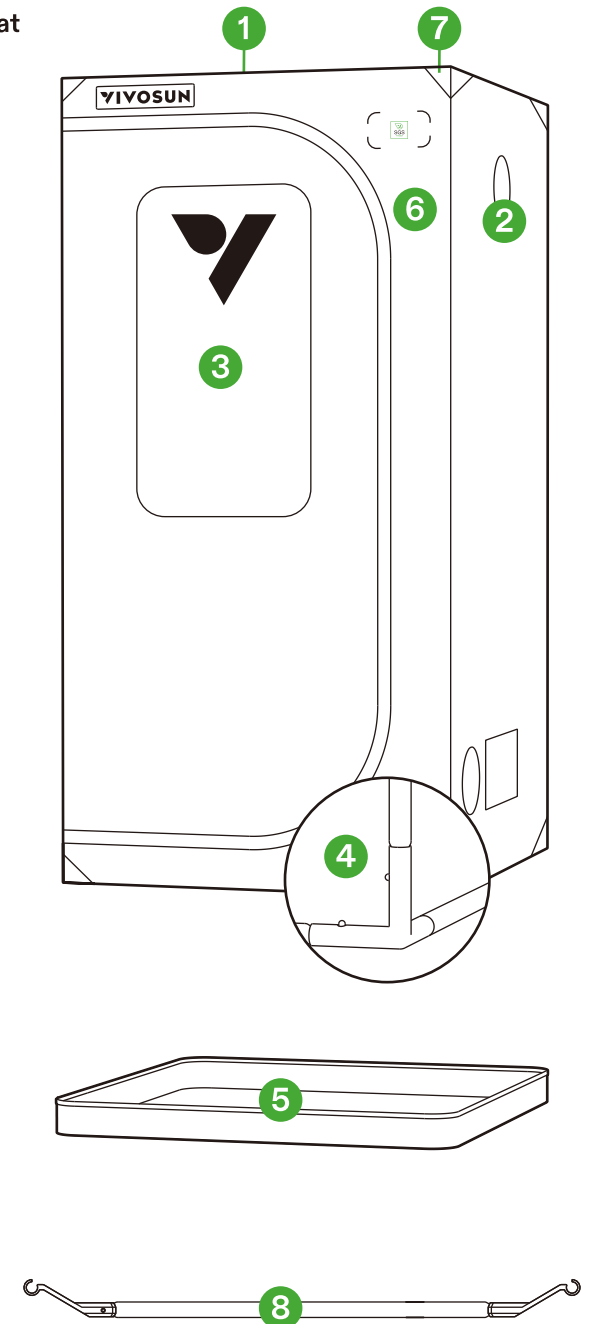
Double-covered wire opening for more convenient connection to the external controller.

7. Triangular Plate

Triangle stiffener increases tent strength (Not available in VST-P224/VST-P276 dimensions).

8. Support Pole



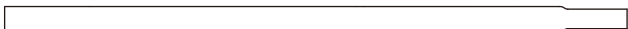


Additional support rods for increased stability (Not available in VST-P224/VST-P276 dimensions).

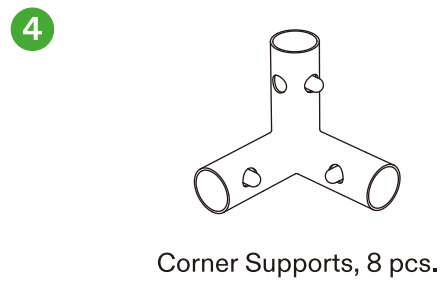
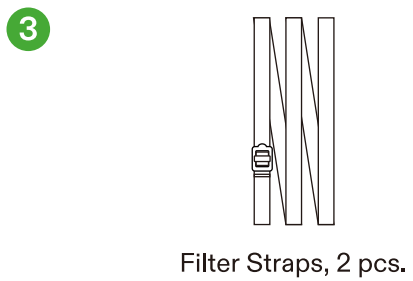
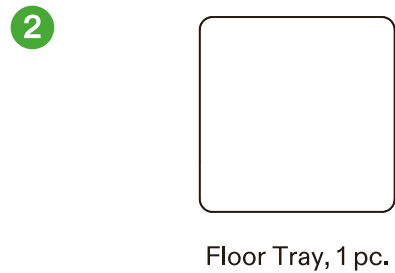


PRODUCT CONTENTS

VST-P224/P276

Frame Poles & Ceiling Bars







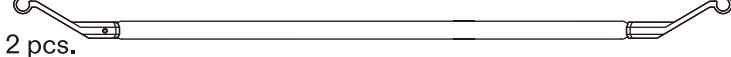
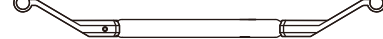
- A**  8 pcs.
- B**  4 pcs.
- C**  4 pcs.
- E**  1 pcs.
- F**  2 pcs.

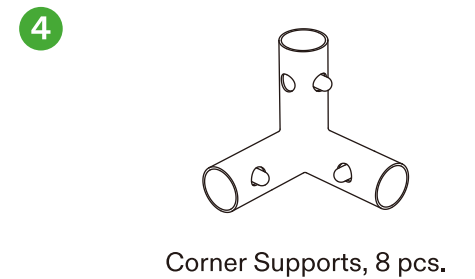
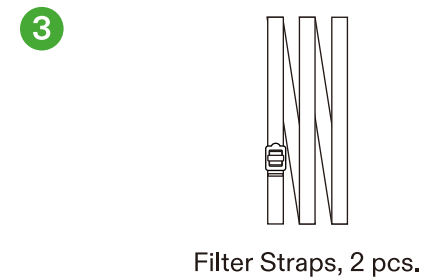
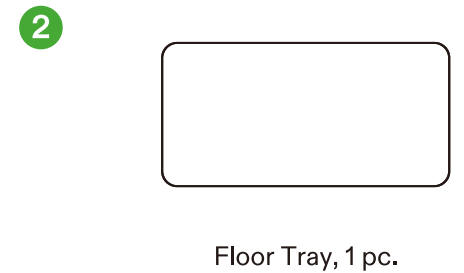
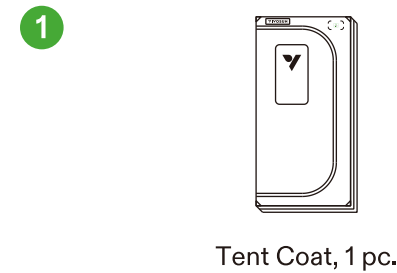


PRODUCT CONTENTS

VST-P426

Frame Poles & Ceiling Bars




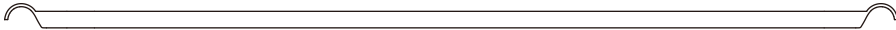


- A**  4 pcs.
- B**  4 pcs.
- C**  4 pcs.
- D**  4 pcs.
- E**  1 pc.
- F**  2 pcs.
- G**  2 pcs.
 2 pcs.

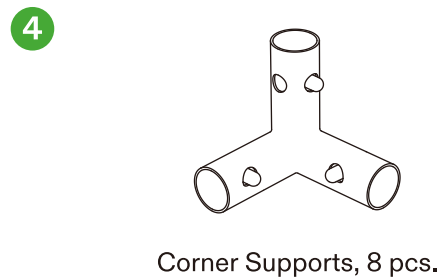
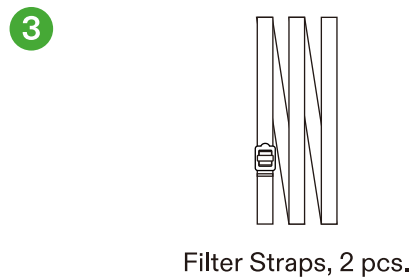
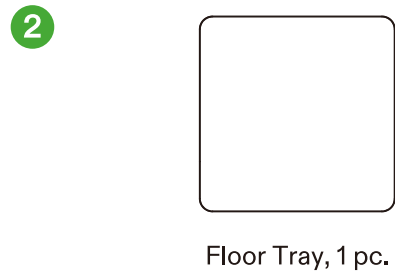


PRODUCT CONTENTS

VST-P336/P448/P558

Frame Poles & Ceiling Bars







- A**  8 pcs.
- B**  4 pcs.
- C**  4 pcs.
- E**  2 pcs.
- F**  2 pcs.
- G**  4 pcs.

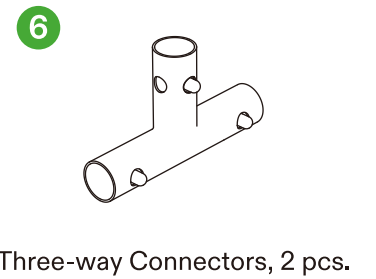
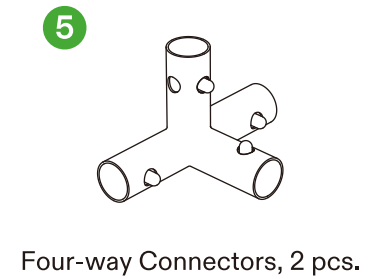
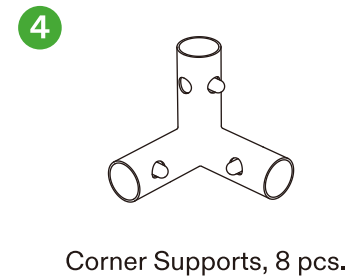
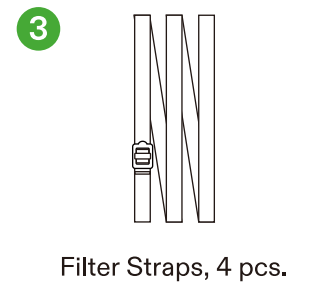
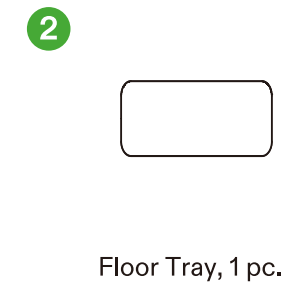


PRODUCT CONTENTS

VST-P848/P105

Frame Poles & Ceiling Bars

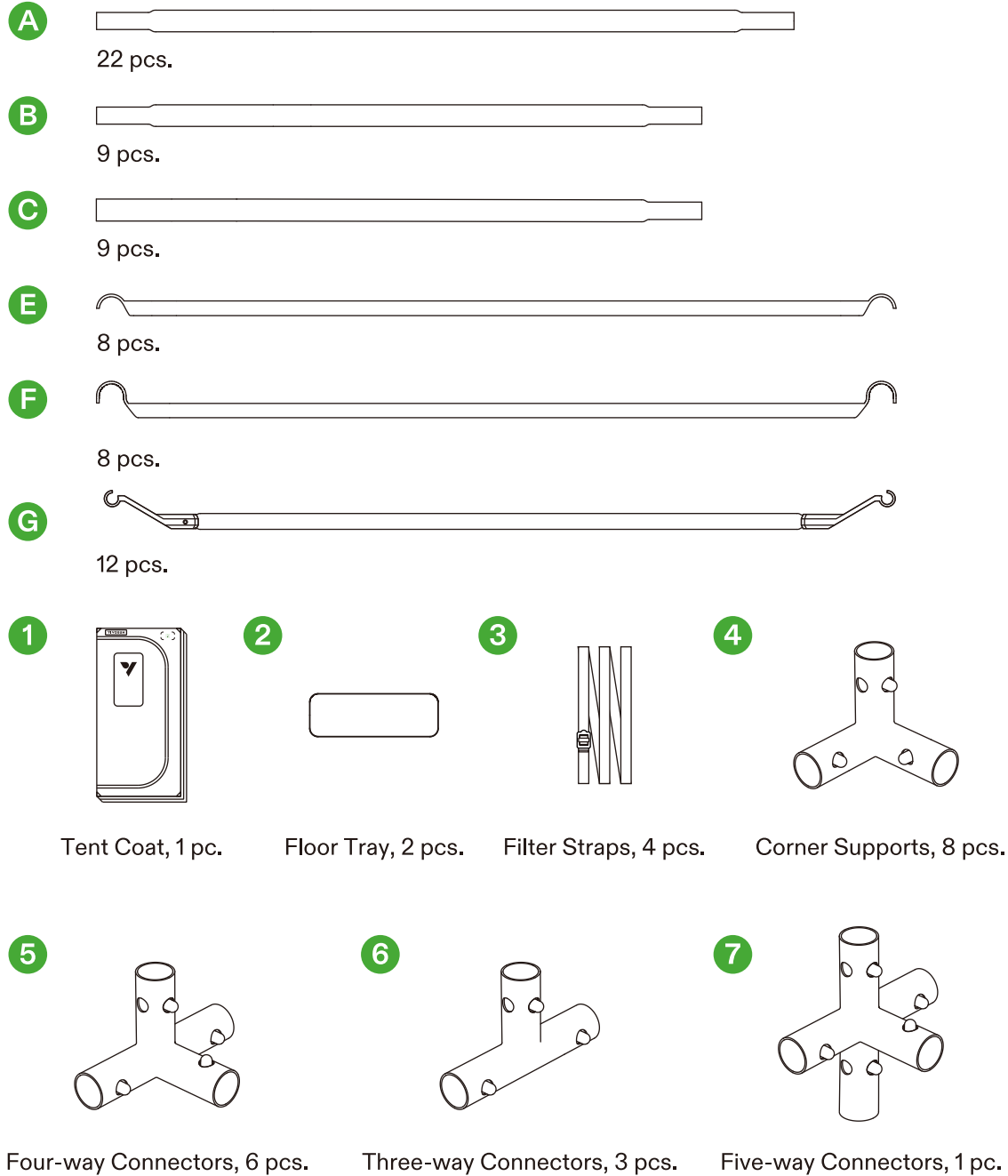
- A**  13 pcs.
- B**  6 pcs.
- C**  6 pcs.
- E**  4 pcs.
- F**  4 pcs.
- G**  7 pcs.



PRODUCT CONTENTS

VST-P888/P108

Frame Poles & Ceiling Bars



SPECIFICATIONS

	VST-P224	VST-P276	VST-P336
Dimensions (LxWxH)	24"x24"x48"	32"x32"x63"	36"x36"x72"
Interior Material	Highly Reflective Mylar		
Exterior Material	2000D Oxford Fabric		
Seal	SBS Double-Covered Zippers		
Viewing Window	Front Window x1		
Pole Diameter	22mm	22mm	22mm
Door	Front Door x1	Front Door x1	Front Door x1
Ducting Opening	4" x1 6" x3	4" x1 6" x3 8" x1	4" x2 6" x2 8" x3
Air Vents	Pre-Filter Air Vents x2	Pre-Filter Air Vents x2	Pre-Filter Air Vents x2
Floor Tray	24"x24" x1	32"x32" x1	36"x36" x1
Filter Straps	x2	x2	x2
Warranty	1 Year	1 Year	1 Year
Hanging Bar	x3	x3	x4
Support Pole	/	/	x4

SPECIFICATIONS

	VST-P426	VST-P448	VST-P558
Dimensions (LxWxH)	48"x24"x72"	48"x48"x80"	60"x60"x80"
Interior Material	Highly Reflective Mylar		
Exterior Material	2000D Oxford Fabric		
Seal	SBS Double-Covered Zippers		
Viewing Window	Front Window x1		
Pole Diameter	22mm	22mm	22mm
Door	Front Door x1	Front Door x1 Side Door x2	Front Door x1 Side Door x2
Ducting Opening	4" x2 6" x4 8" x1	4" x2 8" x5	4" x2 8" x4 10" x1
Air Vents	Pre-Filter Air Vents x2	Pre-Filter Air Vents x2	Pre-Filter Air Vents x2
Floor Tray	48"x24" x1	48"x48" x1	60"x60" x1
Filter Straps	x2	x2	x2
Warranty	1 Year	1 Year	1 Year
Hanging Bar	x3	x4	x4
Support Pole	x4	x4	x4

SPECIFICATIONS

	VST-P848	VST-P105
Dimensions (LxWxH)	96"x48"x80"	120"x60"x80"
Interior Material	Highly Reflective Mylar	
Exterior Material	2000D Oxford Fabric	
Seal	SBS Double-Covered Zippers	
Viewing Window	Front Window x2	
Pole Diameter	22mm	22mm
Door	Front Door x2 Back Door x2	Front Door x2 Back Door x2
Ducting Opening	4" x2 8" x4 10" x2	4" x2 8" x4 10" x2
Air Vents	Pre-Filter Air Vents x4	Pre-Filter Air Vents x4
Floor Tray	96"x48" x1	120"x60" x1
Filter Straps	x4	x4
Warranty	1 Year	1 Year
Hanging Bar	x8	x8
Support Pole	x7	x7

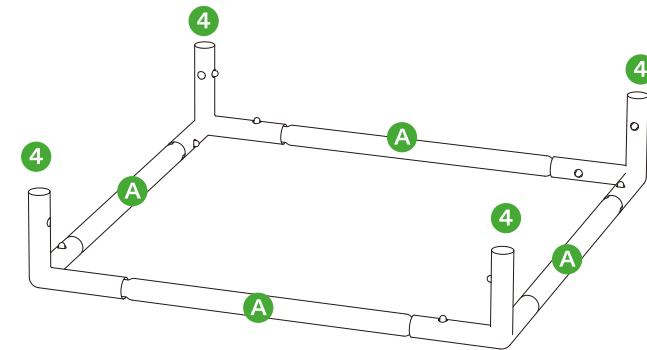
SPECIFICATIONS

	VST-P888	VST-P108
Dimensions (LxWxH)	96"x96"x80"	120"x120"x80"
Interior Material	Highly Reflective Mylar	
Exterior Material	2000D Oxford Fabric	
Seal	SBS Double-Covered Zippers	
Viewing Window	Front Window x2	
Pole Diameter	22mm	22mm
Door	Front Door x2 Back Door x2	Front Door x2 Back Door x2
Ducting Opening	4" x4 10" x8	4" x4 10" x8
Air Vents	Pre-Filter Air Vents x6	Pre-Filter Air Vents x6
Floor Tray	96"x48" x2	120"x60" x2
Filter Straps	x4	x4
Warranty	1 Year	1 Year
Hanging Bar	x16	x16
Support Pole	x12	x12

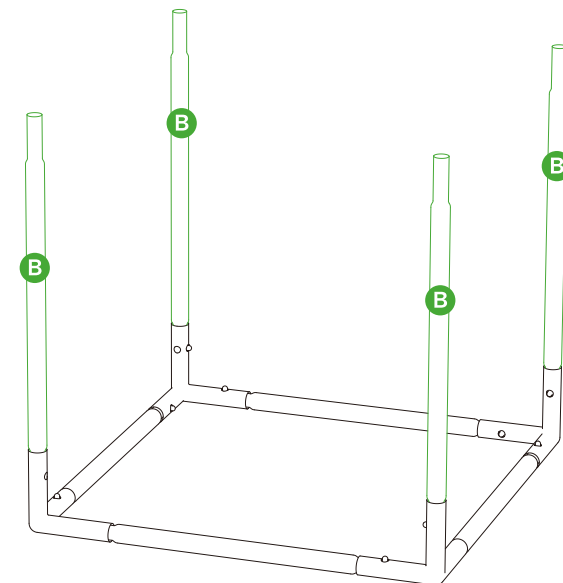
INSTALLATION

VST-P224/P276/P336/P448/P558

STEP 1 Connect four (A) Poles to four Corner Supports (4) to form the base frame of the tent.

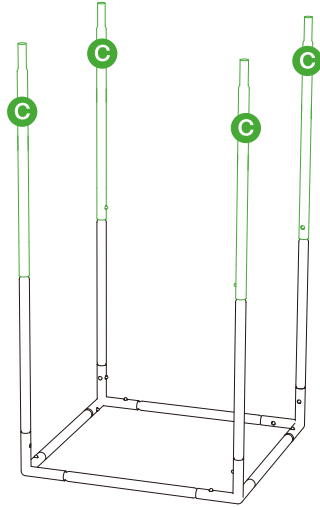


STEP 2 Connect four (B) Poles to the Corner Supports (4) of the tent base.

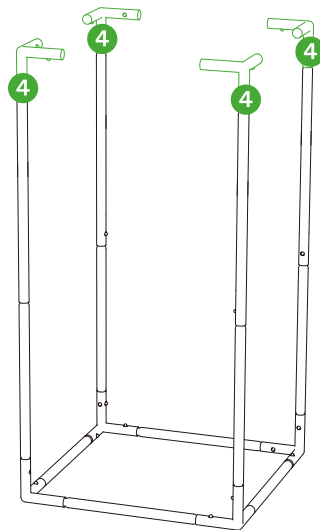


INSTALLATION

STEP 3 Connect four (C) Poles to the (B) Poles.

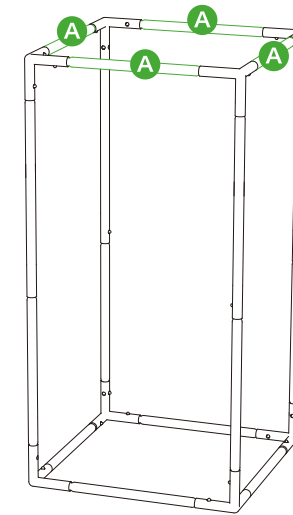


STEP 4 Mount the other four Corner Supports (4) to the (C) Poles as shown.

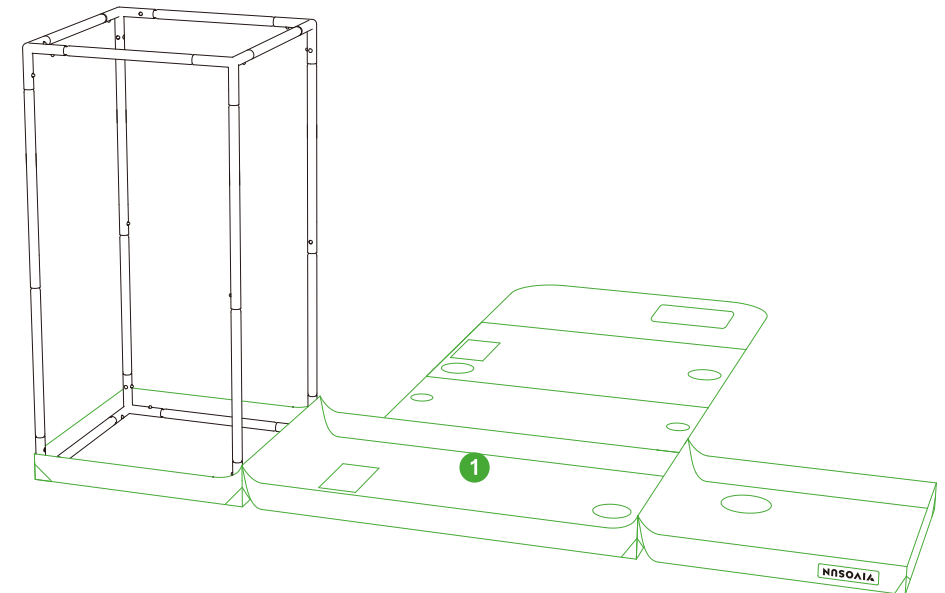


INSTALLATION

STEP 5 Connect the other four (A) Poles to the Corner Supports (4) to form the top frame of the tent.

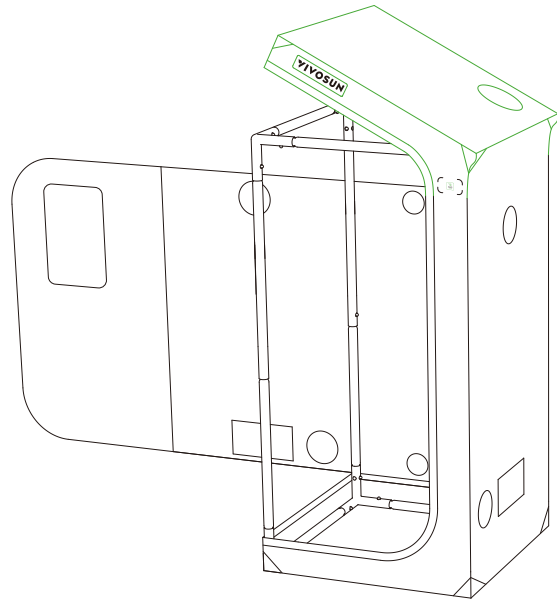


STEP 6 Unzip and unfold the Tent Coat. (1) and place the frame base in the bottom section of the Tent Coat.

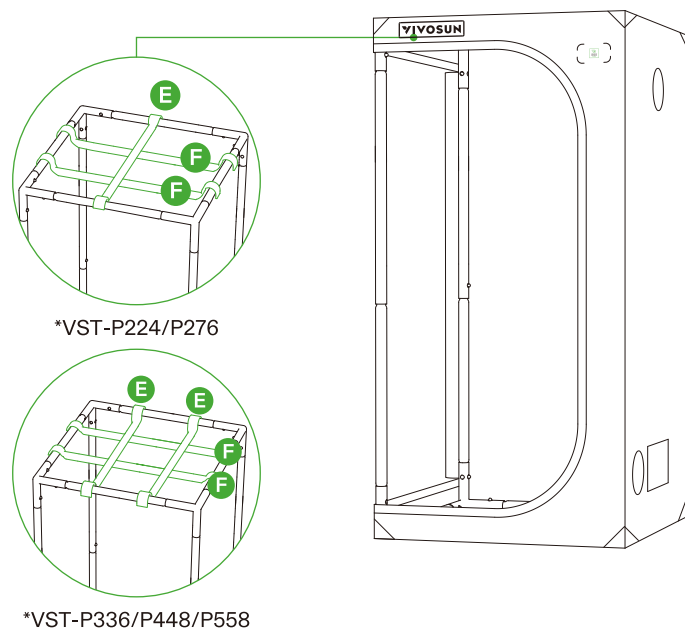


INSTALLATION

STEP 7 Pull up the tent roof and cover the top of the frame.

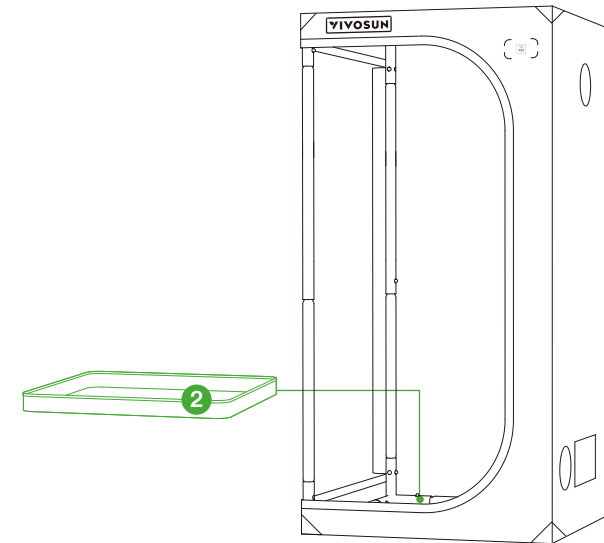


STEP 8 Place the **Ceiling Bars (E, F)** on the top frame for hanging devices like lights and ventilation. For the VST-P336/P448/P558, use two **(F) Ceiling Bars** and two **(E) Ceiling Bars**.

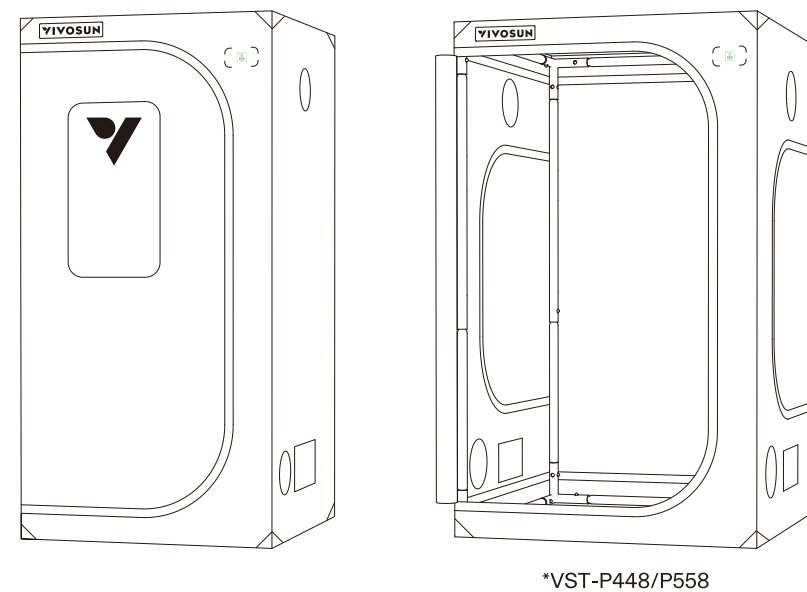


INSTALLATION

STEP 9 Place the **Floor Tray (2)** into the tent.



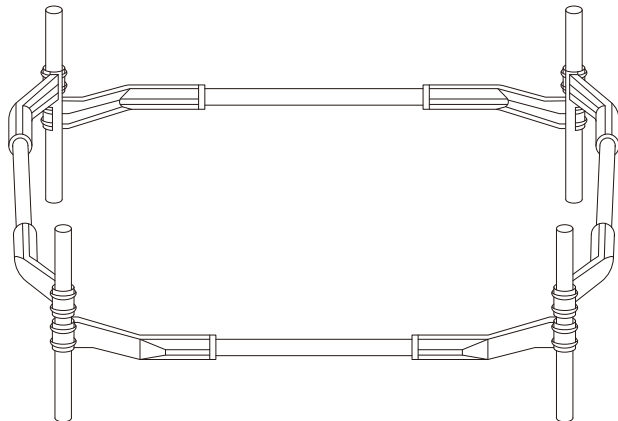
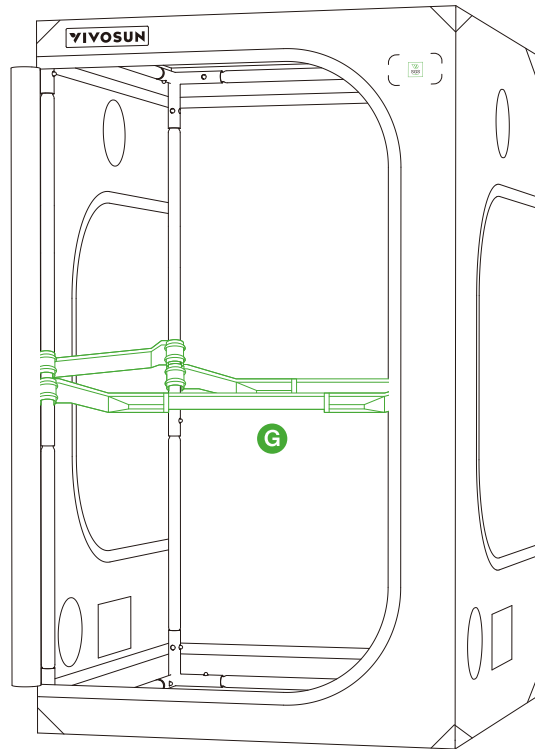
STEP 10 Pull the zippers to close the tent walls and door. Make sure the tent coat fits the frame at the corners. The VST-P448/P558 has additional side doors.



INSTALLATION

STEP 11 Install horizontal **Support Rods (G)** in accordance with your specific needs.

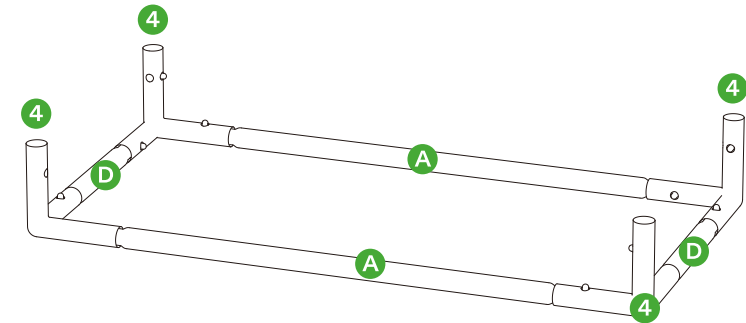
Note: Product 224/276 does not include these **Support Rods (G)**.



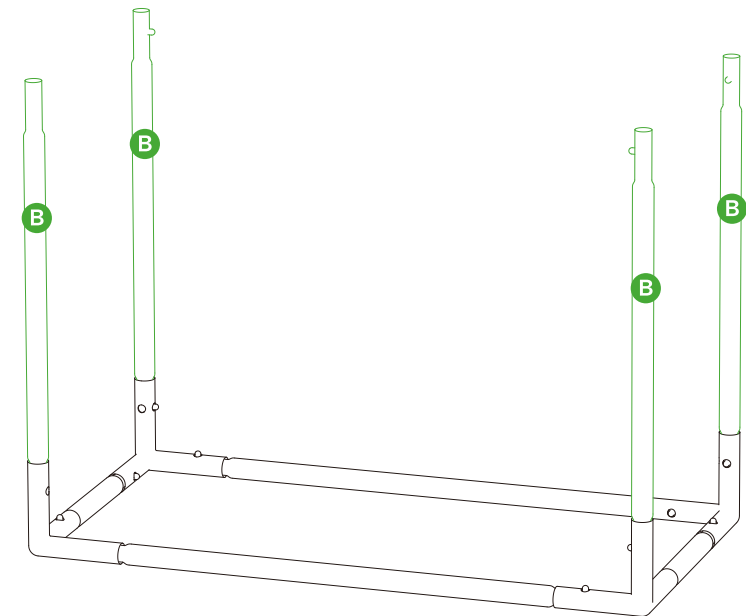
INSTALLATION

VST-P426

STEP 1 Connect two **(A) Poles** and two **(D) Poles** to four **Corner Supports (4)** to form the base frame of the tent.

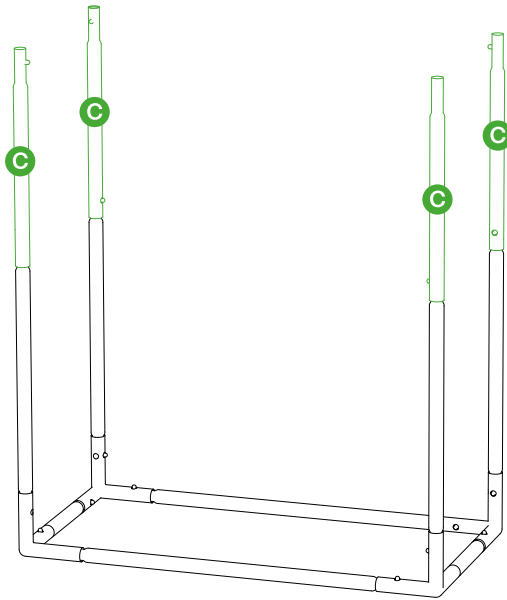


STEP 2 Connect four **(B) Poles** to the **Corner Supports (4)** of the tent base.

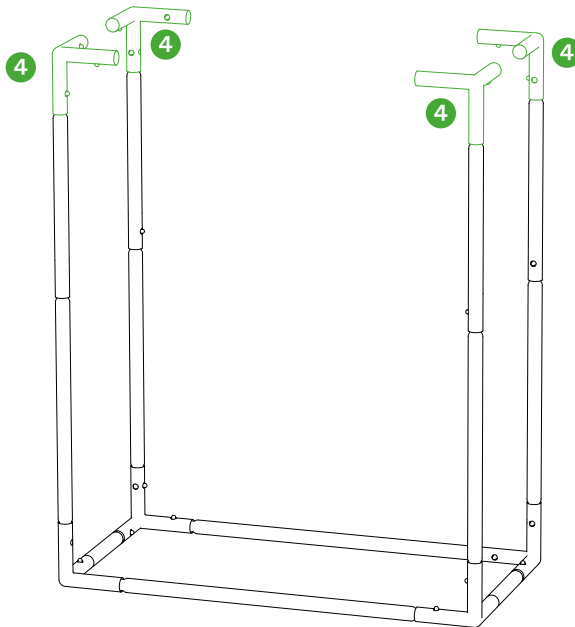


INSTALLATION

STEP 3 Connect four (C) Poles to the (B) Poles.

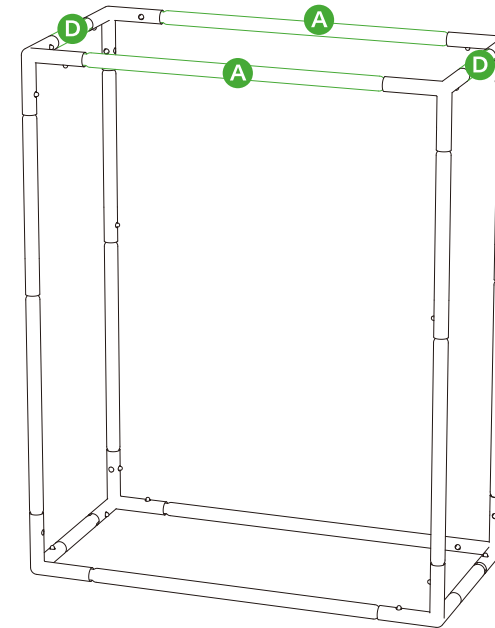


STEP 4 Attach the other four Corner Supports (4) to the (C) Poles as shown.

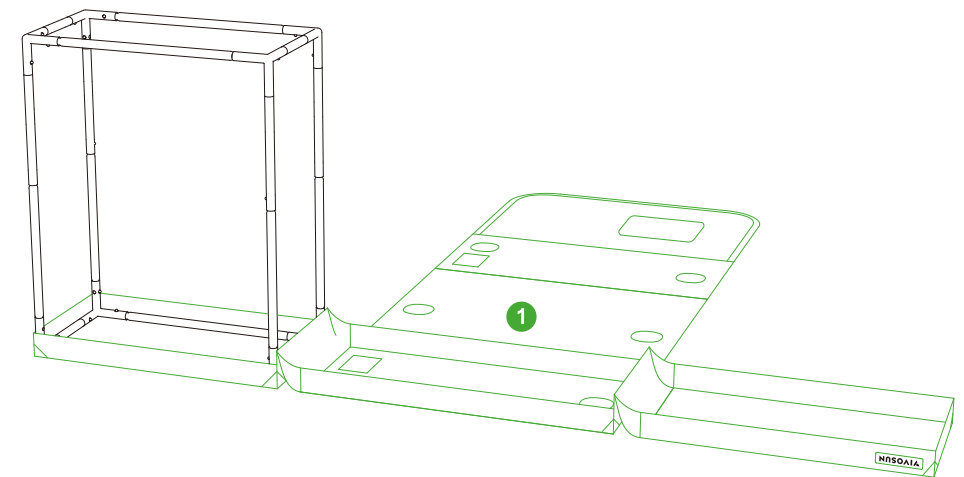


INSTALLATION

STEP 5 Connect two (A) Poles and two (D) Poles to the Corner Supports (4) to form the top frame of the tent.

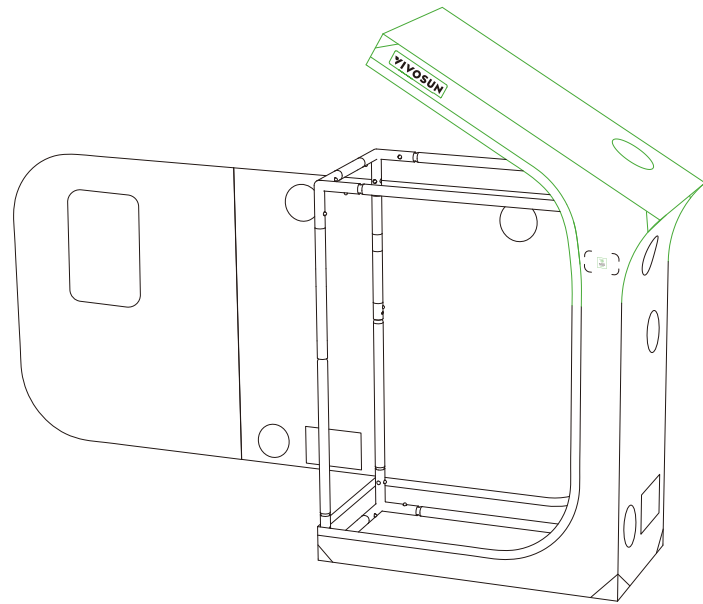


STEP 6 Unzip and unfold the Tent Coat (1) and place the frame base in the bottom section of the Tent Coat.

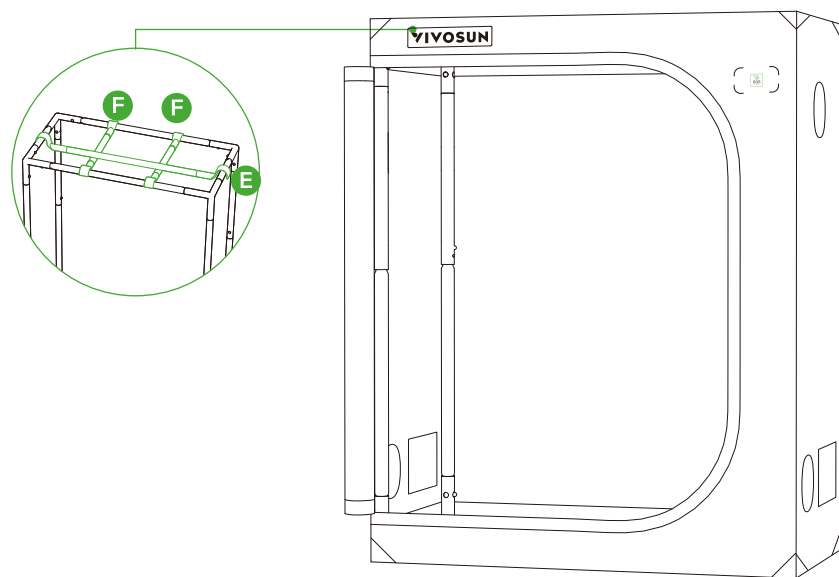


INSTALLATION

STEP 7 Pull up the tent roof and cover the top of the frame.

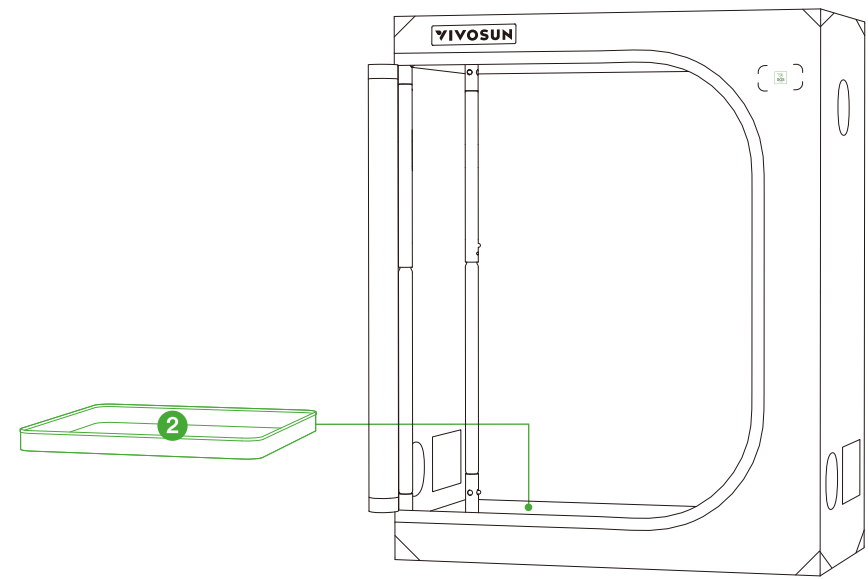


STEP 8 Place the **Ceiling Bars (E, F)** on the top frame for hanging devices like lights and ventilation.

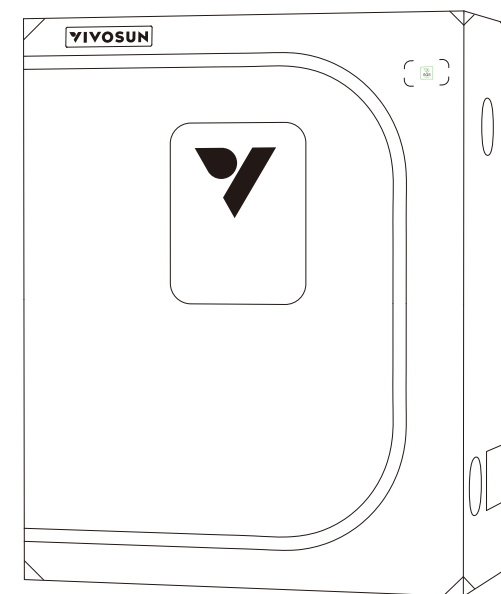


INSTALLATION

STEP 9 Place the **Floor Tray (2)** into the tent.

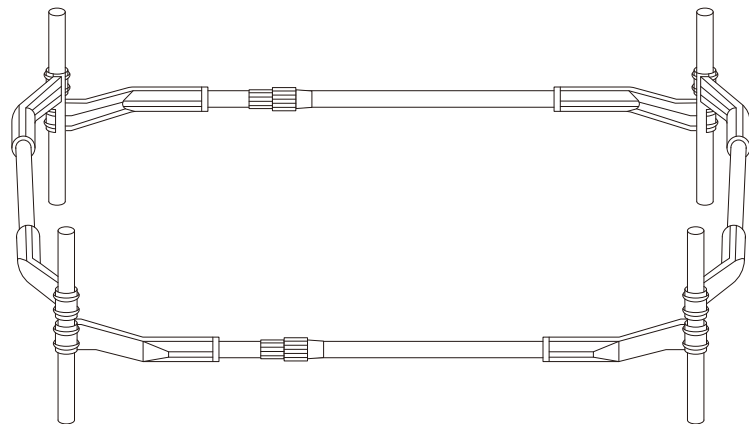
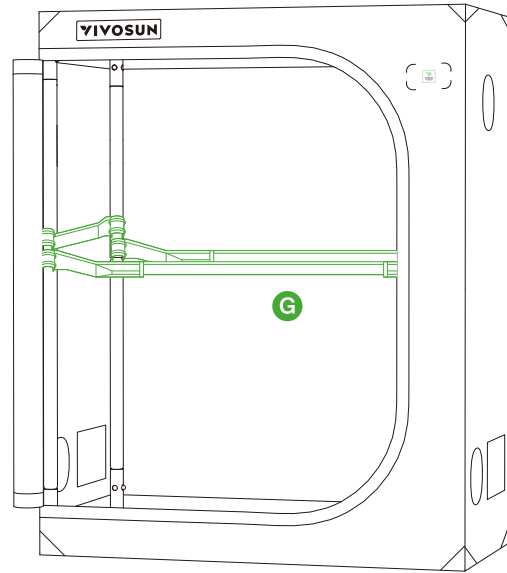


STEP 10 Pull the zippers to close the tent walls and door. Make sure the tent coat fits the frame at the corners.



INSTALLATION

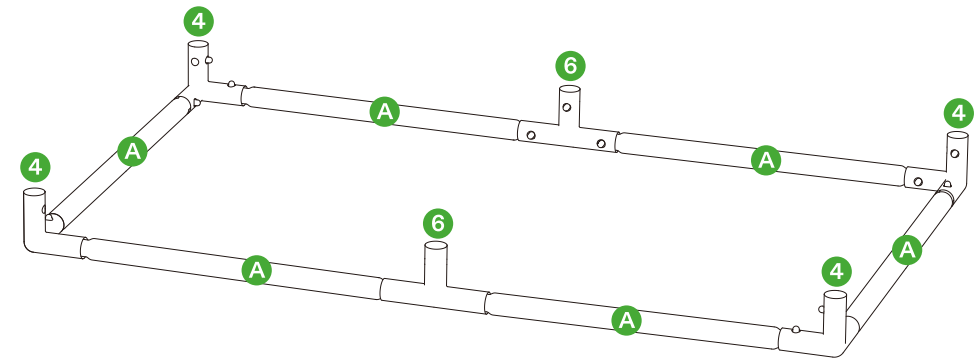
STEP 11 Install horizontal **Support Rods (G)** in accordance with your specific needs.



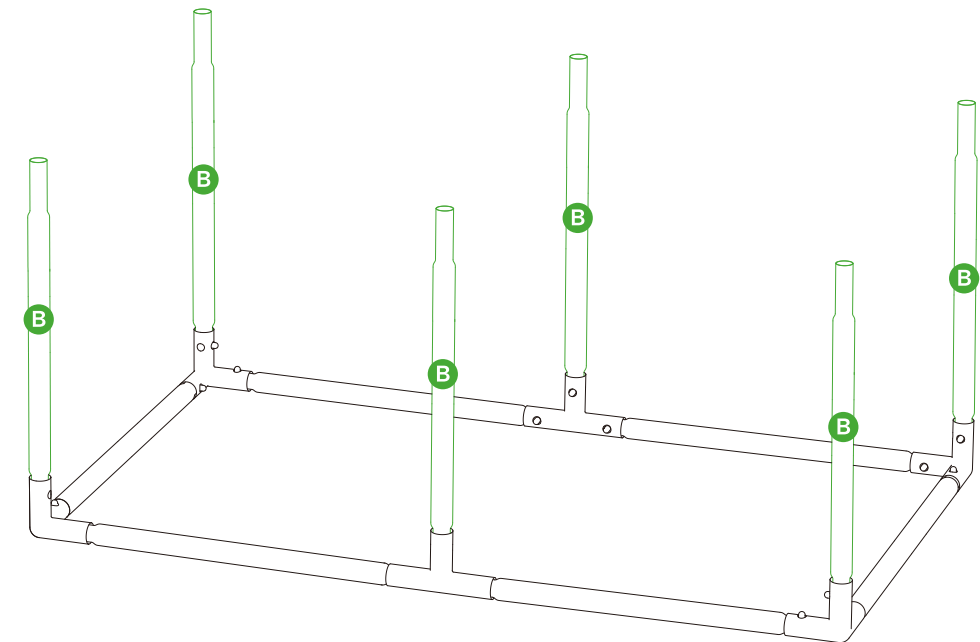
INSTALLATION

VST-P848/P105

STEP 1 Connect six **(A) Poles** to four **Corner Supports (4)** and two **Three-way Connectors (6)** as shown to form the base frame of the tent.

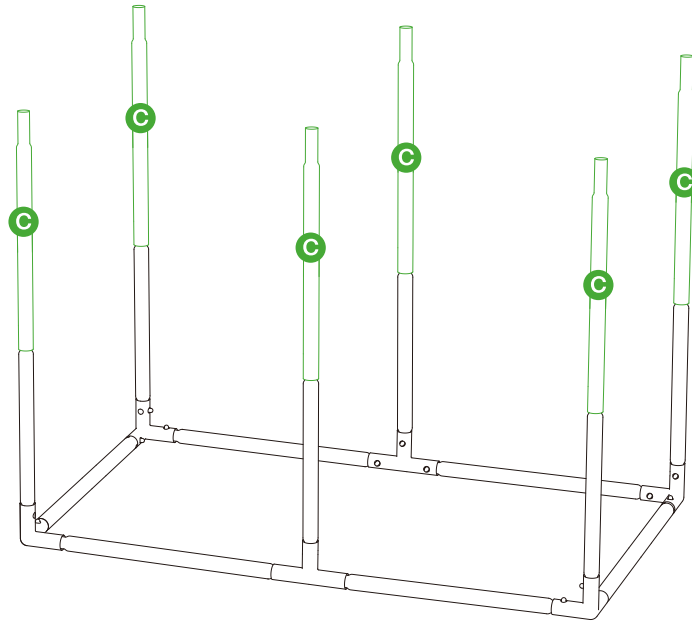


STEP 2 Connect six **(B) Poles** to the **Corner Supports (4)** and **Three-way Connectors (6)** to the tent base.

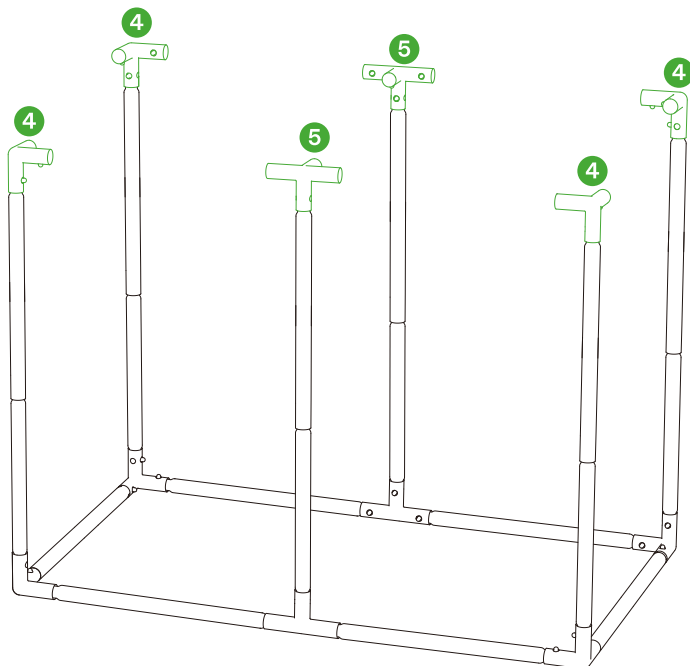


INSTALLATION

STEP 3 Connect six (C) Poles to the (B) Poles.

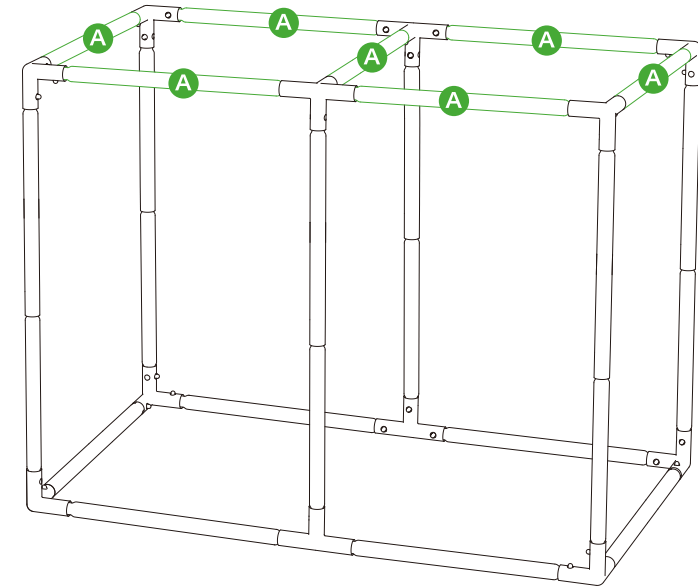


STEP 4 Attach the other four Corner Supports (4) and two Four-way connectors (5) to the (C) Poles as shown.

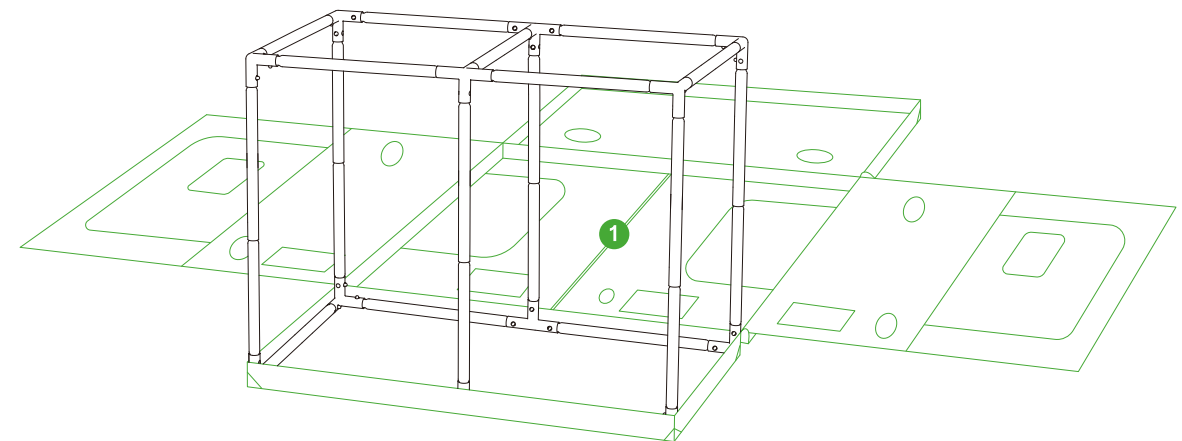


INSTALLATION

STEP 5 Connect the other seven (A) Poles to the Corner Supports (4) and Four-way connectors (5) to form the top frame of the tent.

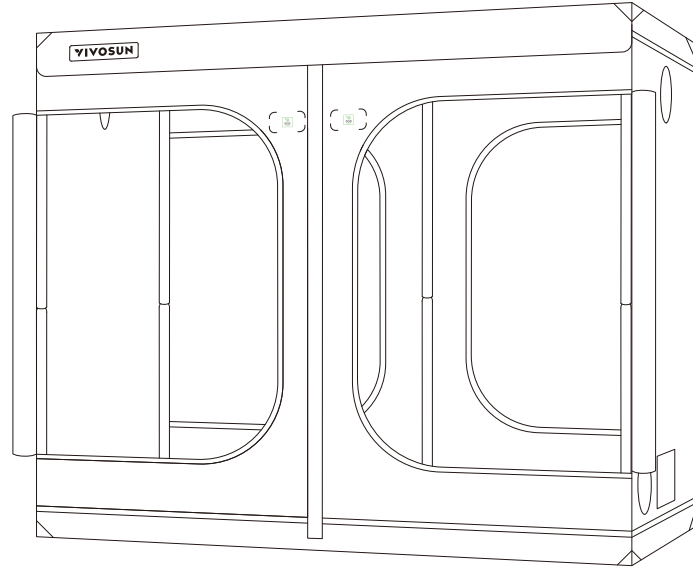


STEP 6 Unzip and unfold the Tent Coat (1) and place the frame base in the bottom section of the Tent Coat.

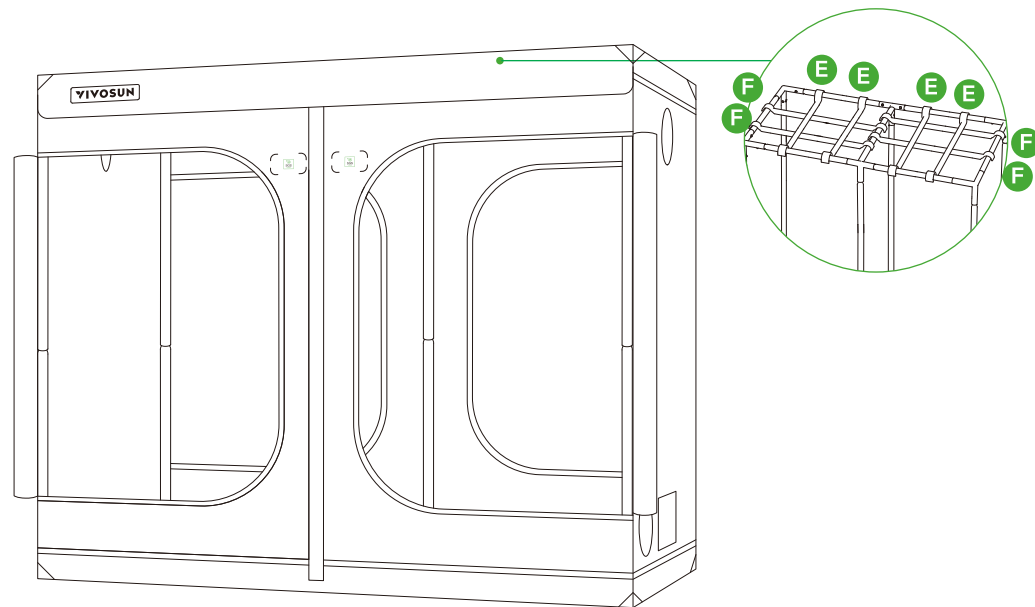


INSTALLATION

STEP 7 Pull the tent roof and cover over the top of the frame.

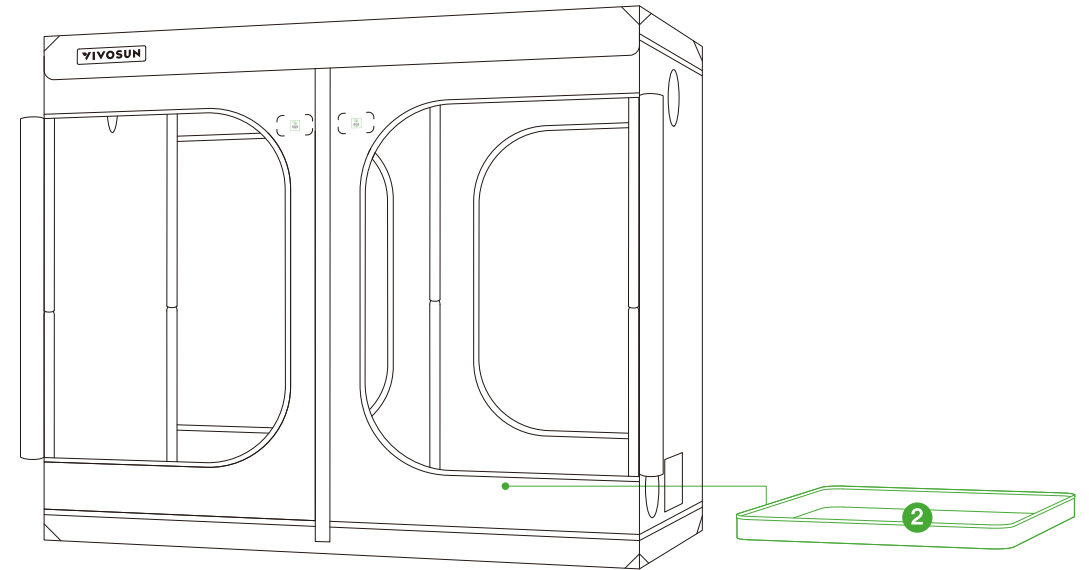


STEP 8 Place the **Ceiling Bars (E, F)** on the top frame as shown for hanging devices.

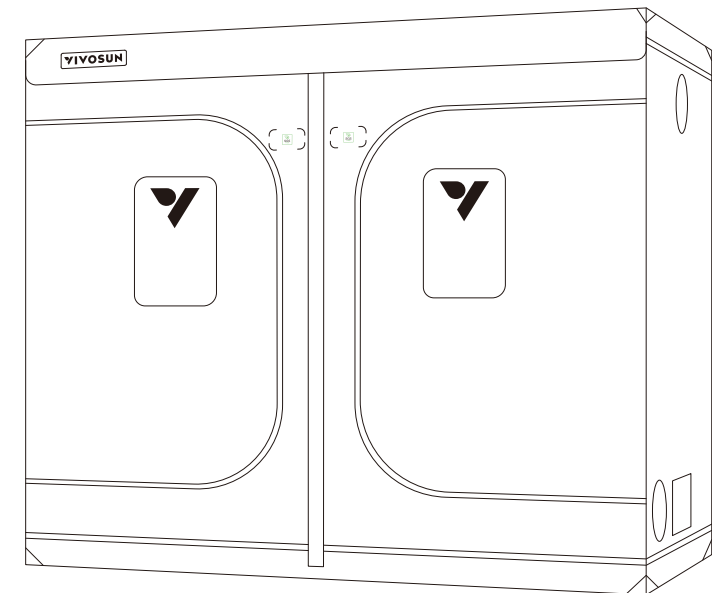


INSTALLATION

STEP 9 Place the **Floor Tray (2)** into the tent.

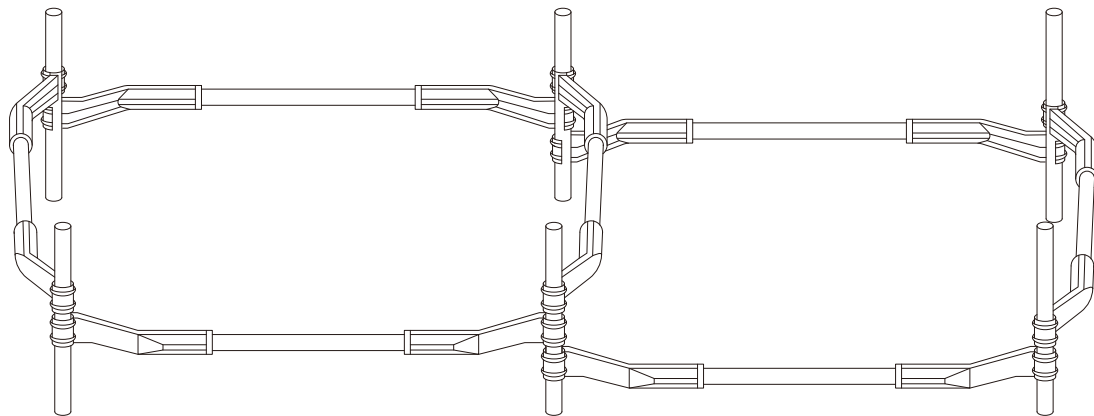
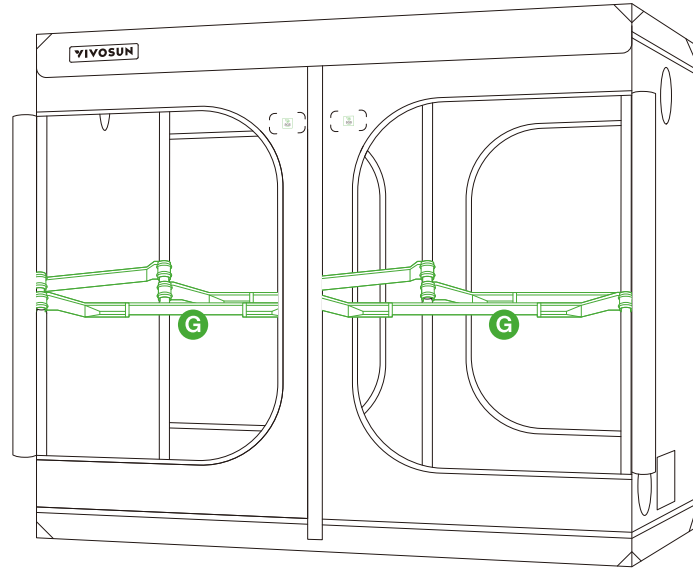


STEP 10 Pull the zippers to close the walls and doors of the tent. Make sure the tent coat fits the frame at the corners.



INSTALLATION

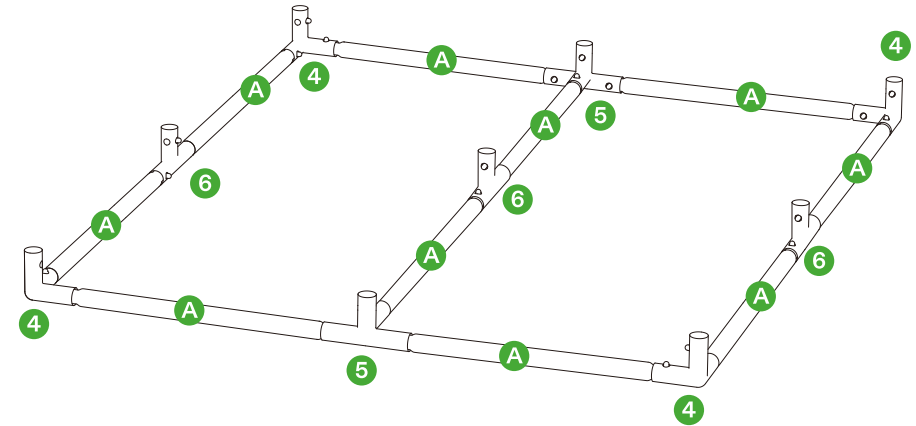
STEP 11 Install horizontal **Support Rods (G)** in accordance with your specific needs.



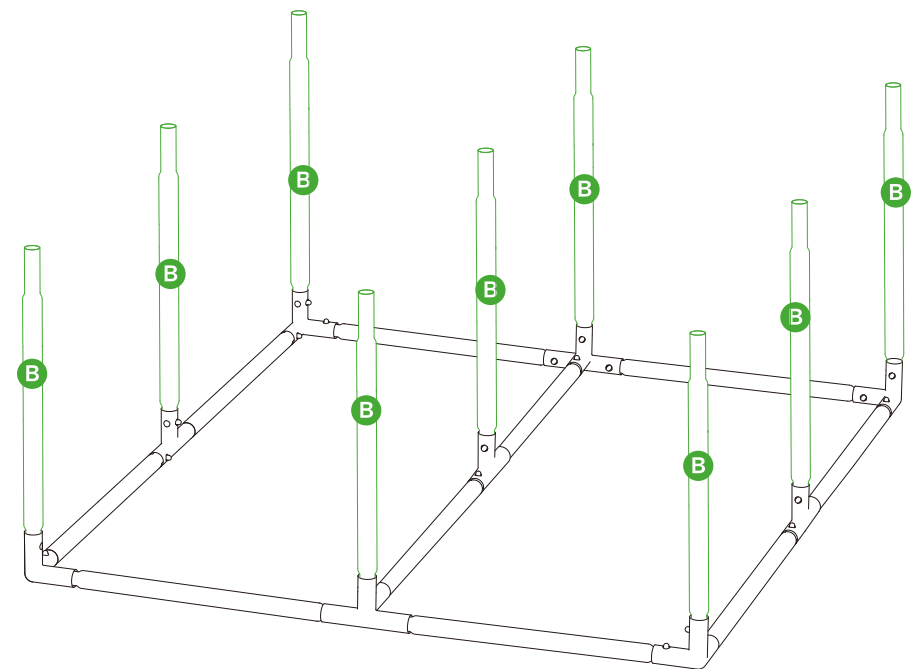
INSTALLATION

VST-P888/P108

STEP 1 Connect ten (A) Poles to four **Corner Supports (4)**, two **Four-way Connectors (5)** and three **Three-way Connectors (6)** as shown to form the base frame of the tent.

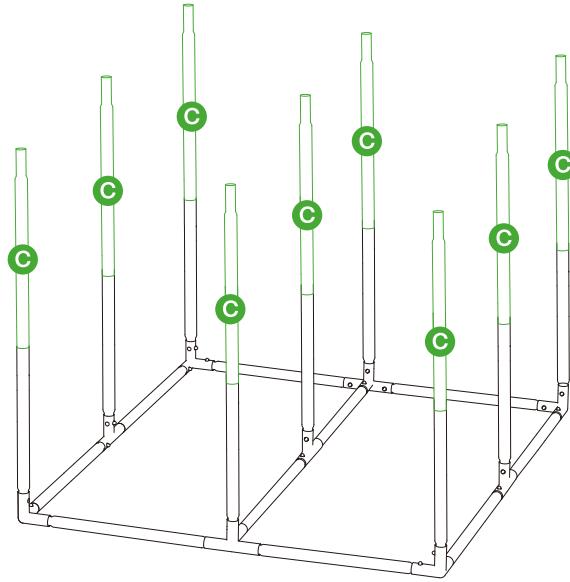


STEP 2 Connect nine (B) Poles to the **Corner Supports (4)**, **Four-way Connectors (5)**, and **Three-way Connectors (6)** to the tent base.

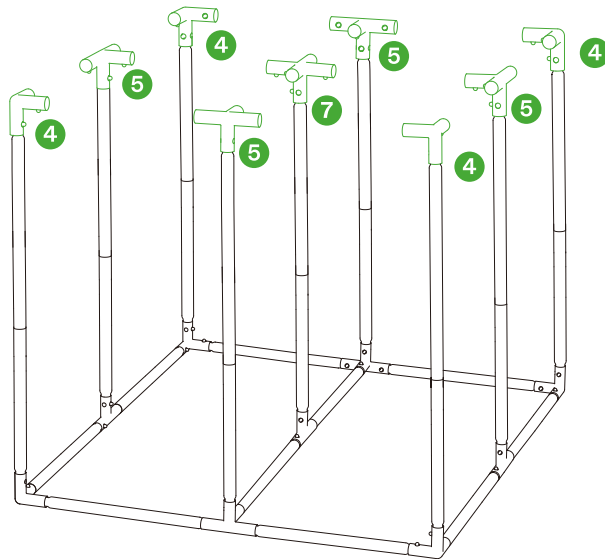


INSTALLATION

STEP 3 Connect nine (C) Poles to the (B) Poles.

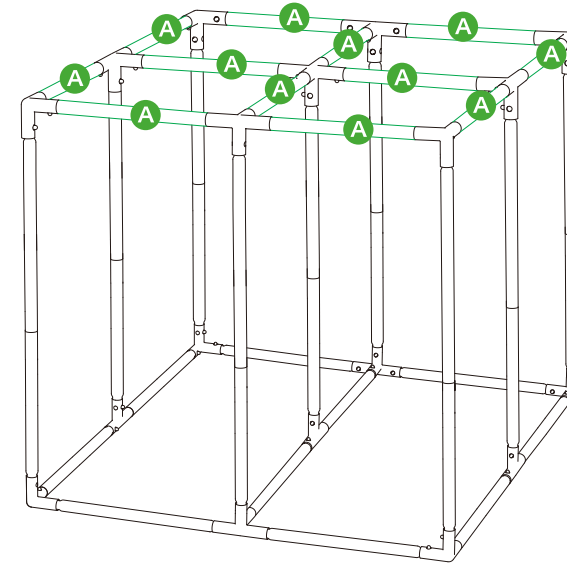


STEP 4 Attach the other four Corner Supports (4), four Four-way Connectors (5), and one Five-way Connector (7) as shown.

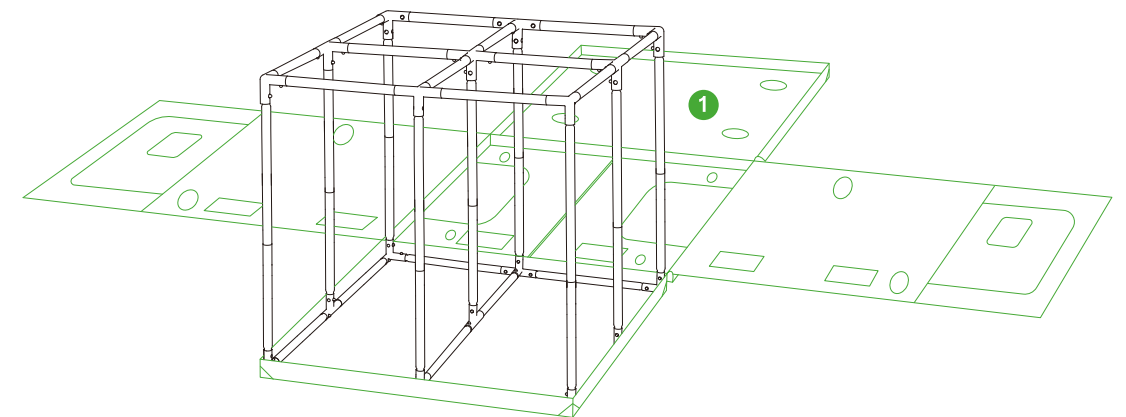


INSTALLATION

STEP 5 Connect the other twelve (A) Poles to Corner Supports (4), Four-way Connectors (5) and Five-way Connectors (7) to form the top frame of the tent.

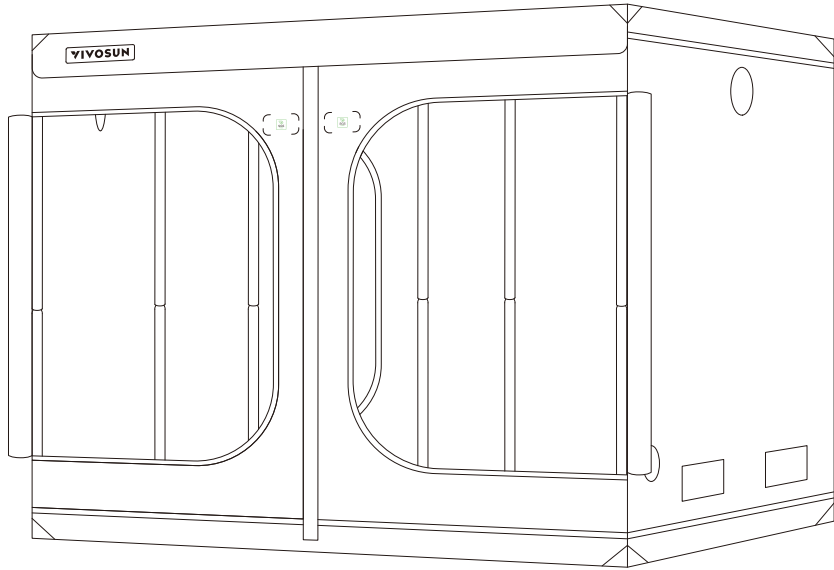


STEP 6 Unzip and unfold the Tent Coat (1) and place the frame base in the bottom section of the Tent Coat.

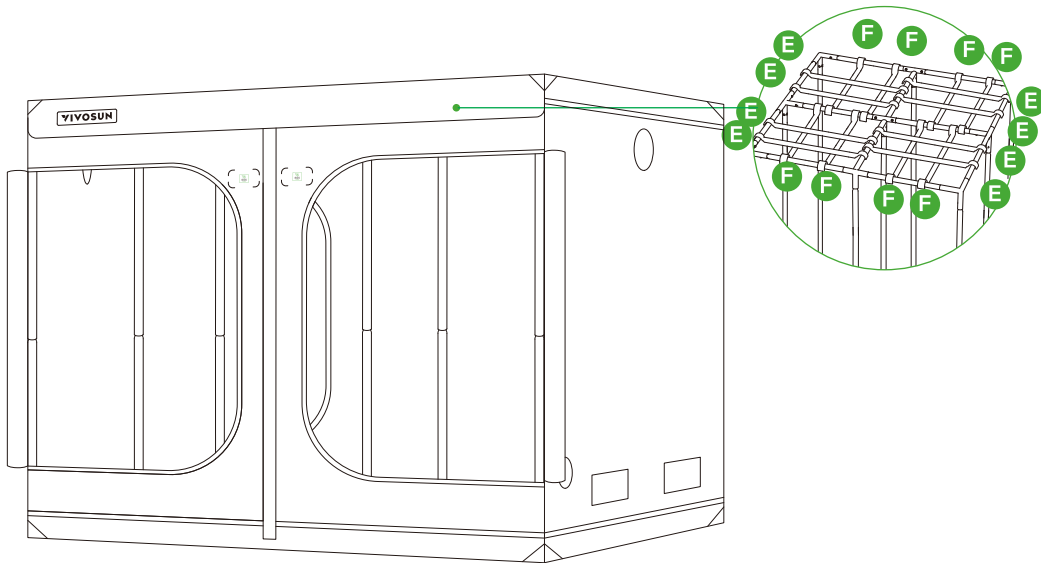


INSTALLATION

STEP 7 Pull the tent roof and cover over the top frame.

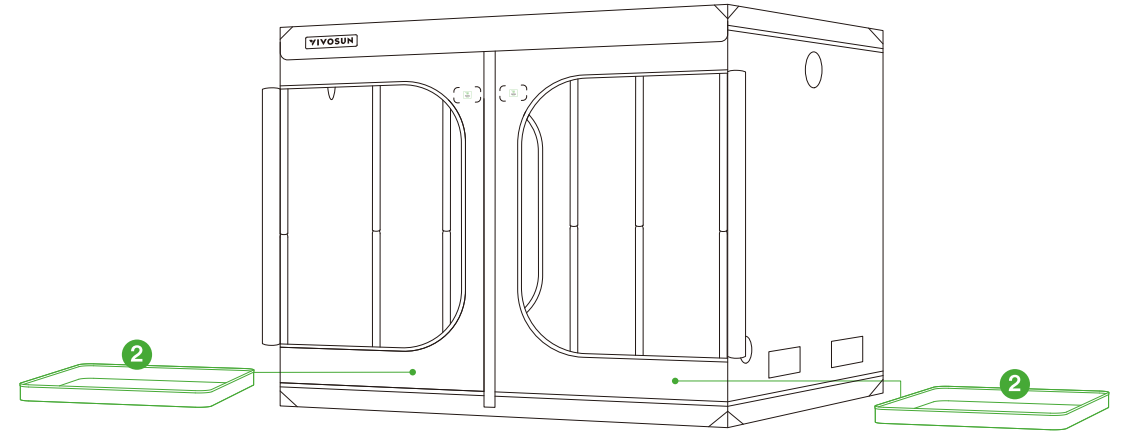


STEP 8 Place the **Ceiling Bars (E, F)** on the top frame as shown for hanging equipment.

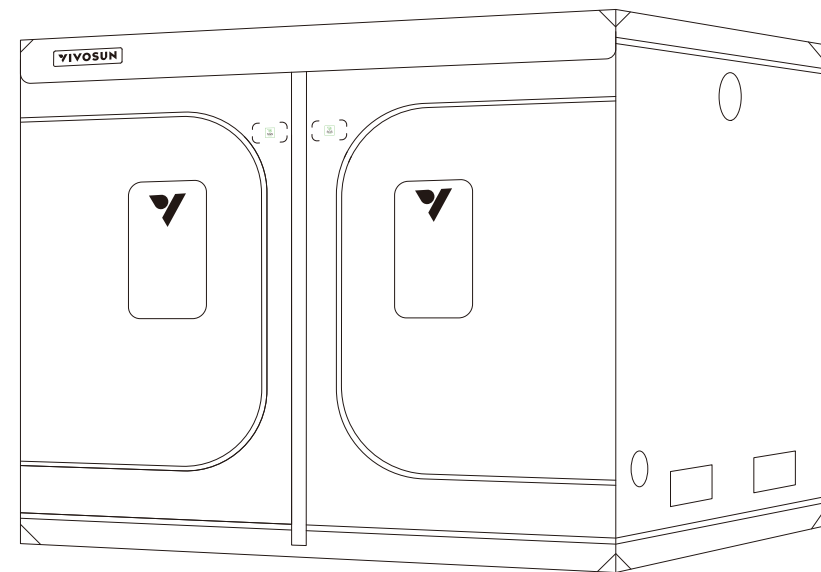


INSTALLATION

STEP 9 Place the **Floor Trays (2)** into the tent.

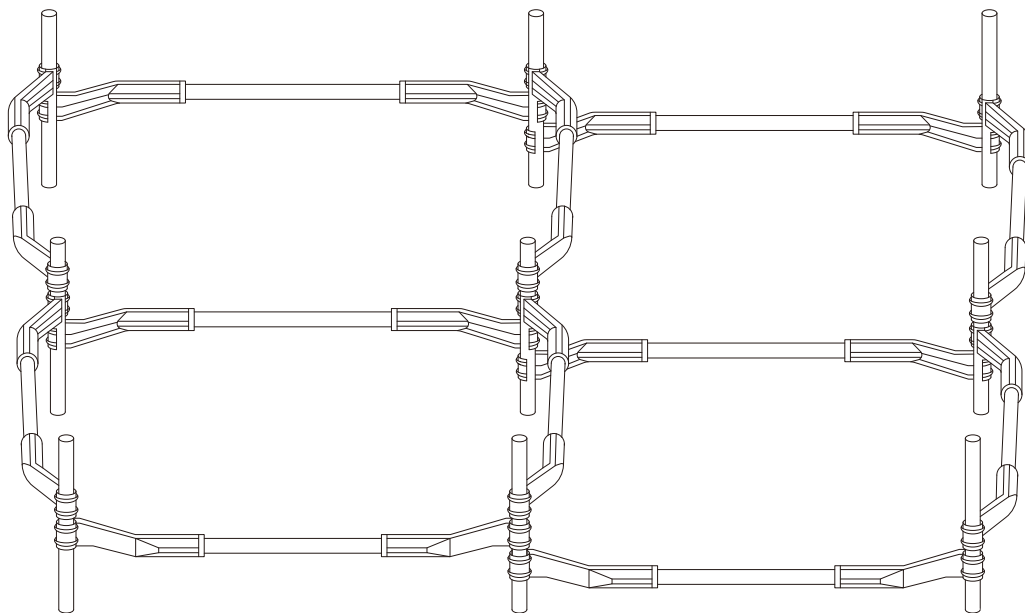
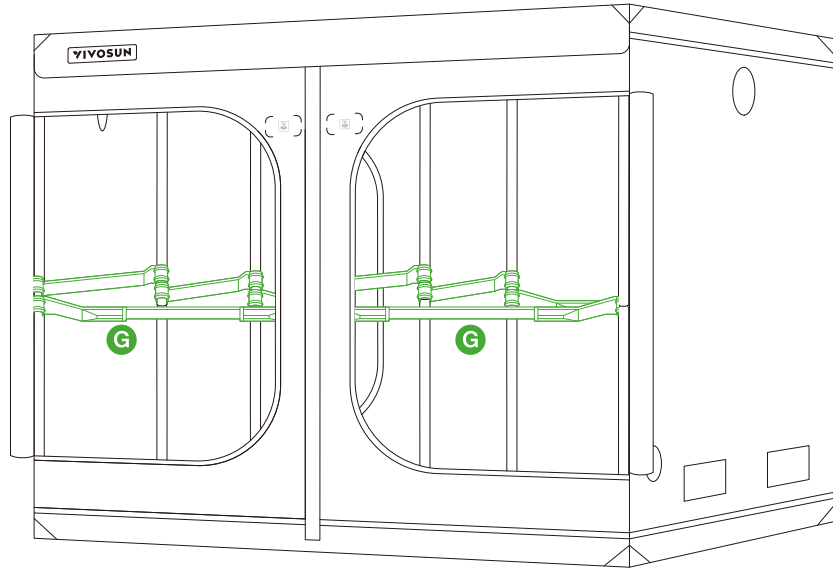


STEP 10 Pull the zippers to close the tent walls and doors of the tent. Ensure the tent coat fits the frame snugly at the corners.



INSTALLATION

STEP 11 Install horizontal **Support Rods (G)** according to your needs.



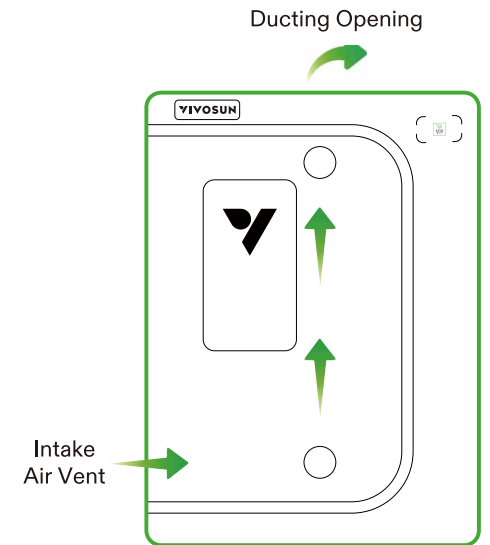
EQUIPMENT SETUP

GROW TENT VENTILATION

The grow tent has multiple ducting openings and intake holes for ventilation.

Ducting Opening: Install the required ducting onto a suitably sized ducting opening. Utilize the cinches located on both sides of the opening to firmly secure the ducting onto the tent.

Intake Air Vent: Facilitates the influx of fresh air into the tent.

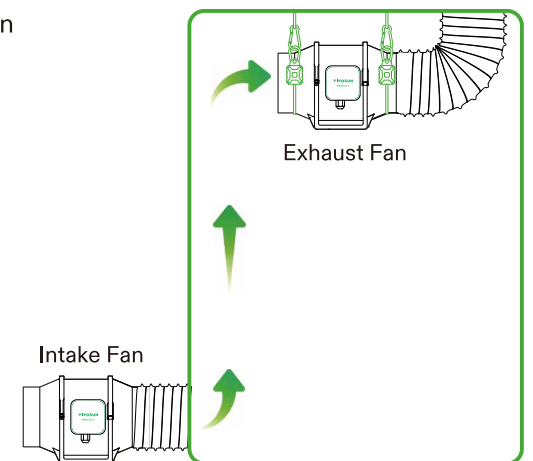


INLINE FAN APPLICATIONS

The Inline fan can be used as an exhaust fan or as an intake fan.

Exhaust Fan: Hung or mounted on the highest opposite corner of the Intake Fan inside your grow tent. Airflow arrow points away from your grow tent.

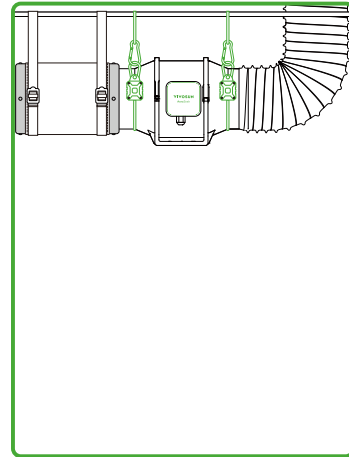
Intake Fan: Mounted at a bottom corner outside of your grow tent. Airflow arrow points toward your grow tent.



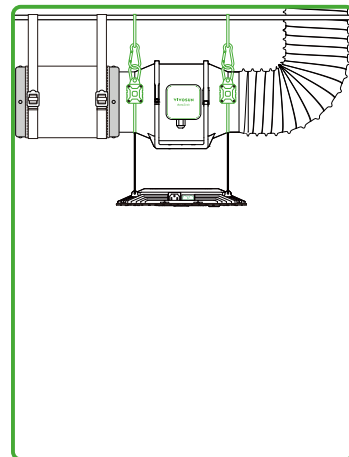
EQUIPMENT SETUP

TYPICAL SETUP

Inline Fan & Carbon Filter: Choose an appropriate inline fan suitable for your grow tent. Hang the inline fan on the ceiling bar of the tent and connect with ductings on the air outlet side of the fan. Install a carbon filter on the air inlet side of the tent and hang with straps (provided with tent).



Grow Light: Choose an appropriate grow light for your tent. Install the grow light with rope hangers after installing the inline fan and carbon filter. Adjust the light to an appropriate height.

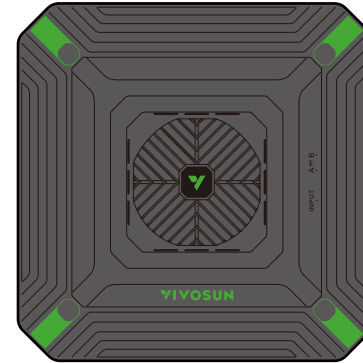


COMPLETE YOUR SETUP

LED GROW LIGHT

AeroLight/VS/VSX/VSF

- 100W-645W high-powered LED grow light
- High PPE efficacy with Samsung LED
- Full spectrum including FR/UV
- 0-100% dimming with daisy-chain capability
- ETL/CE/FCC certified
- Compatible with GrowHub controller



CONTROLLER

GrowHub E42/E42A

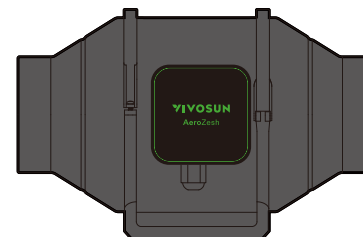
- WiFi remote control with VIVOSUN App
- Complete control of lights, inline fans and circulation fans
- Temp./Humidity monitoring and control
- Compatible with VIVOSUN devices such as AeroLight, AeroZesh, VS series lights
- Professional controller designed for growers of all levels



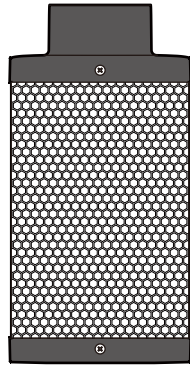
INLINE DUCT FAN

AeroZesh

- Efficient airflow with high static pressure
- 4" / 6" / 8" for different sized tents
- Energy efficient and quiet EC motor
- Dual ball bearings with long lifespan
- Precise fan speed adjustment by PWM
- Compatible with GrowHub controller for multiple professional operation modes

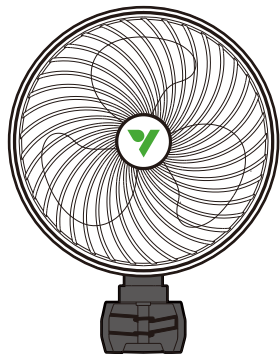


COMPLETE YOUR SETUP



CARBON FILTER

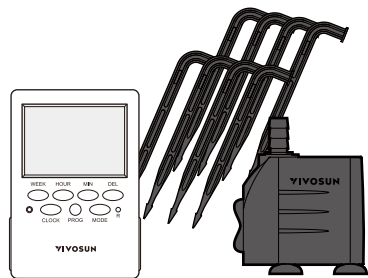
- Eliminates odors and refreshes air
- Premium-grade Australian charcoal
- High absorption efficiency and long lifespan
- 4" /6" /8" compatible with different inline fans



CLIP-ON CIRCULATION FAN

AeroWave

- Patented clip-on design
- Automatic oscillation
- Adjustable fan speed
- High airflow and energy efficient
- Compatible with GrowHub controller (E Series)

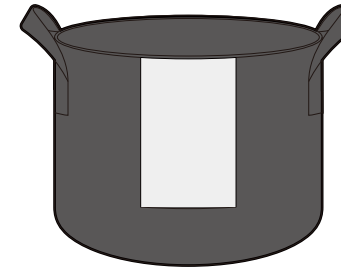


IRRIGATION SYSTEM

Flexfeed

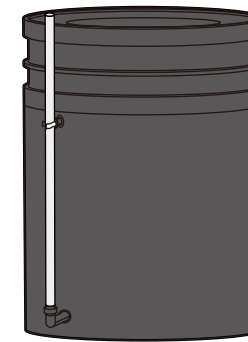
- Automated drip irrigation system
- Professional irrigation settings
- Precise and stable irrigation
- Quiet and efficient
- Easy to install

COMPLETE YOUR SETUP



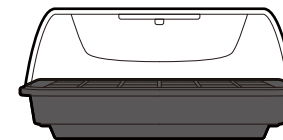
GROW BAG

- Various sizes ranging from 1-30 gallons
- 300G durable nonwoven fabric
- Root breathable and air pruning



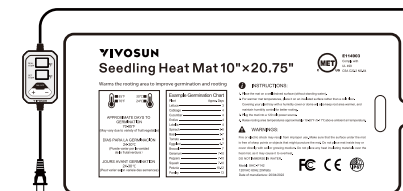
DWC HYDROPONIC SYSTEM

- DWC+Top Dripping hydroponic system
- Efficient air-driven top dripping technology
- One or four 5-gallon bucket(s)
- Suitable from seedling to harvest
- Easy to install and automated operation



PROPAGATION TRAY & HEAT MAT

- Propagation tray and heat mat kit
- Transparent dome with humidity adjustment
- Heat mat with precise temperature control
- Easy and safe to use



For additional information about our products and personalized recommendations for a growing system tailored to your needs, please don't hesitate to get in touch with us.

WARRANTY

VIVOSUN provides a one-year warranty against defects on all grow tents purchased directly from us or through our authorized dealers. This policy serves as our commitment to promptly address any manufacturing defects or premature breakage that may occur during normal use of our products.

Our warranty covers the replacement or refund of purchases that exhibit material defects within one year of the original purchase date. In such events, customers may contact us to initiate the claim process. We will need proof of purchase to verify coverage eligibility.

This policy does not extend to protect that have been misused, abused, or purposefully damaged. It also does not cover normal wear and tear or cosmetic defects such as minor scratches.

Customers can rest assured knowing that our products undergo rigorous quality testing procedures. This one-year warranty reflects our confidence in the durability of our products under normal use.



If any product defects are found, customers are encouraged to contact us immediately. Your satisfaction is our priority, and we are committed to resolving any issues in a professional and timely manner.