

LIGHT RAIL 5 ADD-A-BAR Instructions

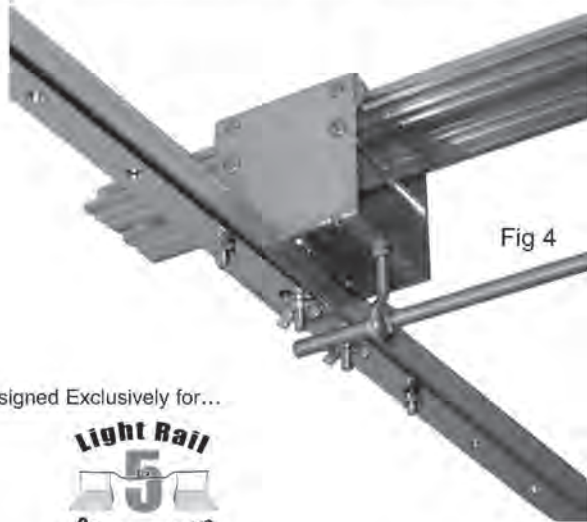


Fig 4

Designed Exclusively for...



www.lightrail5.com

Parts List

- | | |
|------------------------------------|----------------------------------|
| 1 – Auxiliary Slave Trolley | 4 – ¼" x 2" Lamp Hang Eye Screws |
| 2 - ¼" x 2" carriage screws | 2 - ¼" - 20 x 1½" Hex Screws |
| 2 – 5/16" SAE flat washers | 2 - 3/8" x 2 foot push pull rod |
| 2 - ¼" external tooth lock washers | 1 - 3/8" Coupler Nut |
| 14 - ¼" hex nuts | 4 – 3/8" Hex Jam Nuts |
| 2 – ¼" nylock hex nuts | 2 – Cross Bar Ends |
| 2 - ¼" wing nuts | 1 – Cross Bar Splint |
| 2 – ¼" x 2 ½" Eye screws | |

STEP ONE

First install the two carriage screws into the Auxiliary Slave Trolley as seen in Fig 1. Install flat washers first then the external tooth lock washers then the nuts. Next install the one of the ¼" x 2 ½" Eye screw into the Auxiliary Slave Trolley as seen in Fig 2. Be sure to use one of the ¼" nylock hex nuts on top.

STEP TWO

Mount the remaining ¼" x 2 ½" Eye screw in the bottom of the Drive Motor as previously mounted in the bottom of the Auxiliary Slave Trolley. You should mount the eye screw on the end that is going to be facing the Auxiliary Slave Trolley and be sure to use the ¼" nylock hex nut on top.

STEP THREE

First slide the Auxiliary Slave Trolley onto the Rail making sure the ¼" x 2 ½" eye screw is facing the Drive Motor. Next assemble and mount the cross bar (as described in the step four of your Light Rail 5 instruction) to the bottom of the Auxiliary Slave Trolley using the ¼" wing nuts. Next, assemble the two 3/8" x 2 foot threaded rods using the 3/8" coupler nut Fig 3. Then thread one 3/8" hex jam nut on each end of the assembled 3/8" x 4' threaded rod. Now you can slide one end of the threaded rod through the ¼" x 2 ½" eye screw on the bottom of the Drive Motor and the other end through the eye screw on the bottom of the Auxiliary Slave Trolley. Last, install the remaining 3/8" hex jam nuts on each end of the threaded rod so that the eye screws are captured by the jam nuts. (Fig 4/5)

STEP FOUR

Hang your lights and run your cords as described in Step Five of your Light Rail 5 instruction. Then set your switch stop eye screws and you're ready for operation. After all is hooked up

BE SURE TO CHECK THE TRAVEL DISTANCES OF THE AUXILIARY TROLLEY AND ADJUST SO IT WILL NOT BE PUSHED OFF THE END OF THE RAIL.

The travel distance of the Auxiliary Slave Trolley is adjusted by moving the jam nuts on the threaded rod @ the Auxiliary Slave Trolley.

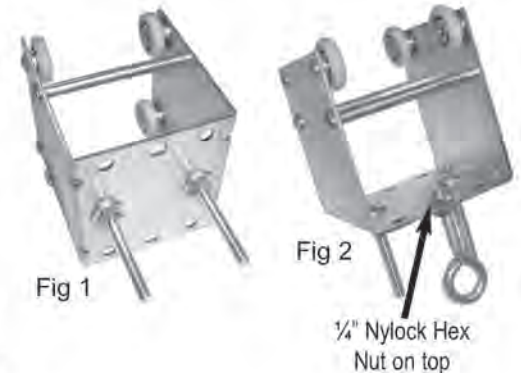


Fig 1

Fig 2

¼" Nylock Hex Nut on top



Fig 3



Fig 5

SEE REVERSE FOR LR5 AUX RAIL INSTALLATION

LR5 AUX RAIL INSTALLATION

(for a three bar system spanning 12 feet)

NOTE: If you're installing a #2 Add-A-Bar Kit after the installation of the #1 Add-A-Bar Kit you will need to first install another 4 foot section of rail (part # LR5 AUX RAIL) This 4 foot section of Rail will be mounted to the end of the 8 foot main rail. It should be mounted at the opposite end of the #1 Add-A-Bar Kit, so the Light Rail 5 Drive Motor is between the #1 Add-A-Bar and #2 Add-A-Bar.

STEP ONE

Mount the rail hanging bracket supplied with the LR5 AUX RAIL between 38" and 46" from the end of and inline with the main rail. (Fig 1)

STEP TWO

Using 2- rail slide nuts, 4- #10 Machine Screws and the Rail Coupler, mount one end of the LR5 AUX RAIL to the end of the main rail but, do not torque at this time Fig 2 NOTE: Rail Alignment pins are not used for the LR5 AUX RAIL.

STEP THREE

Slide the remaining two slide nuts into the rails channel and fasten them to the rail hanging bracket with two #10 Machine Screws. Next, while making sure the LR5 AUX RAIL is pushed towards the Main Rail, torque all screws tight. (FIG 3)

STEP FOUR

Install the #2 ADD-A-BAR Kit as outlined in the ADD-A-BAR instruction on reverse side of page.

BE SURE TO CHECK THE TRAVEL DISTANCES OF THE AUXILIARY TROLLEYS AND ADJUST SO THEY WILL NOT BE PUSHED OFF THE END OF THE RAIL.

