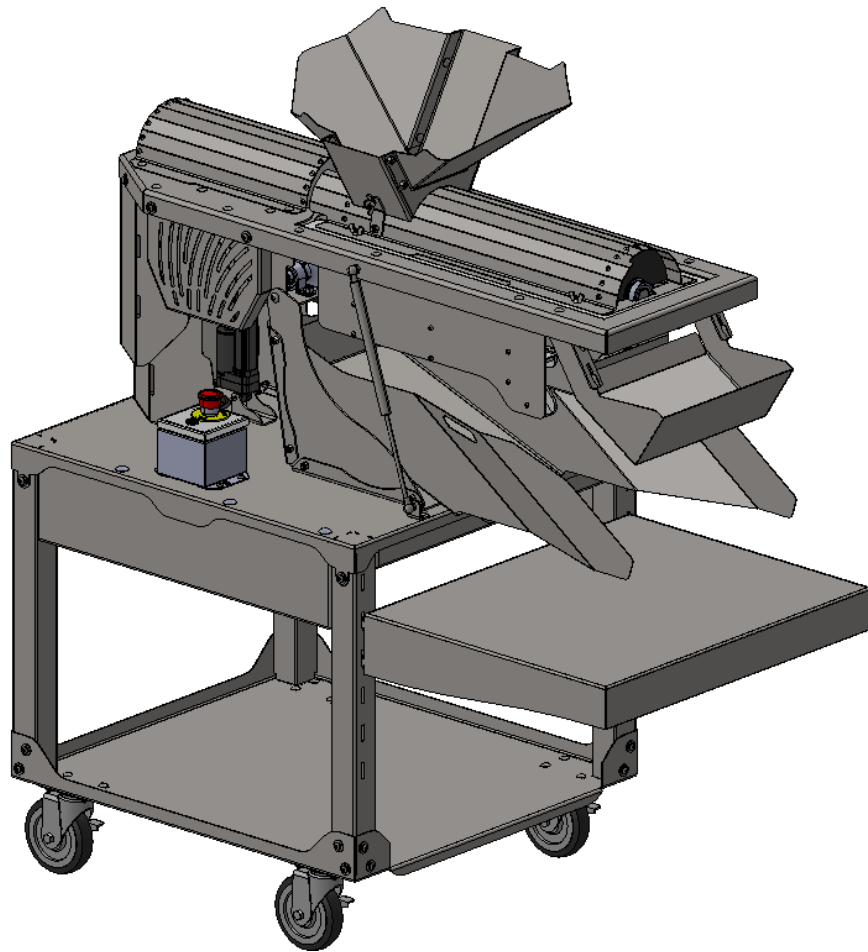




GREENBROZ



THE MODEL G

User Manual

GreenBroz.com

TABLE OF CONTENTS

Safety Information	3
Introduction	4
Machine Parts Identifier	5
Machine Accessories and Guards Identifier	6
Technical Specifications	7
Unpacking and Installation	7
Unpacking.....	7
Control Box Installation.....	8
Sifting Cart and Screen Installation.....	9
Grinding Medium & Blades Installation & Details	12
Hopper Installation & Details.....	13
Removable Accessories Installation & Details.....	14
Locking Castors Adjustment.....	16
Machine Operation & Details	17
Shut Down.....	19
Cleaning and Sanitation	20
Removable Machine Accessories	21
Machines Cart and Frame	21
Grinding Blades Assembly	23
Grinding Medium Assembly.....	24
Sifter Cart Assembly	24
Troubleshooting	25
Maintenance	28
Checking Bearings and Bearing Housings.....	28
Pulley Belt Replacement	31
Modular Systems	32
Warranty Registration	33

SAFETY INFORMATION



Dress Code



1. No open-toed shoes or high heels allowed. To provide secure footing, choose shoes with softer soles and stable platforms. Wearing appropriate footwear will help protect feet from falling components.
2. No loose clothing allowed. This includes but is not limited to ties, scarves and loose-sleeved shirts.
3. Remove all jewelry that could be caught in moving machinery. This includes rings and loose bracelets. Remove necklaces and the like, if not securely restrained.
4. Restrain all hair, including beards, that has potential for entanglement with moving machinery.



NEVER supply power to the machine if it is without any of its guards or hopper.



NEVER put hands or arms near the machine during operation.

HIGHLY recommended to be operated in conjunction with a GreenBroz Rise Conveyor.

	 CAUTION
	BURN HAZARD The motors and other moving parts or guards may heat up during operation. Give the machine time to cool before cleaning or servicing.

	 CAUTION
	HAZARDOUS VOLTAGE Use precautions when plugging and unplugging the machine and components from any power sources.

	 CAUTION
	OSCILLATING MECHANICAL PARTS Moving machine parts have the potential to cause severe injury or death. All machine components must be fully secured before operation and are essential for protecting users. Never place hands or other body parts near the machine during operation

	 CAUTION
	ROTATING MECHANICAL PARTS Rotating machine parts have the potential to cause severe injury or death. All components must be fully secured before operation and are essential for protecting operators. Never place hands or head near the machine during operation.

INTRODUCTION

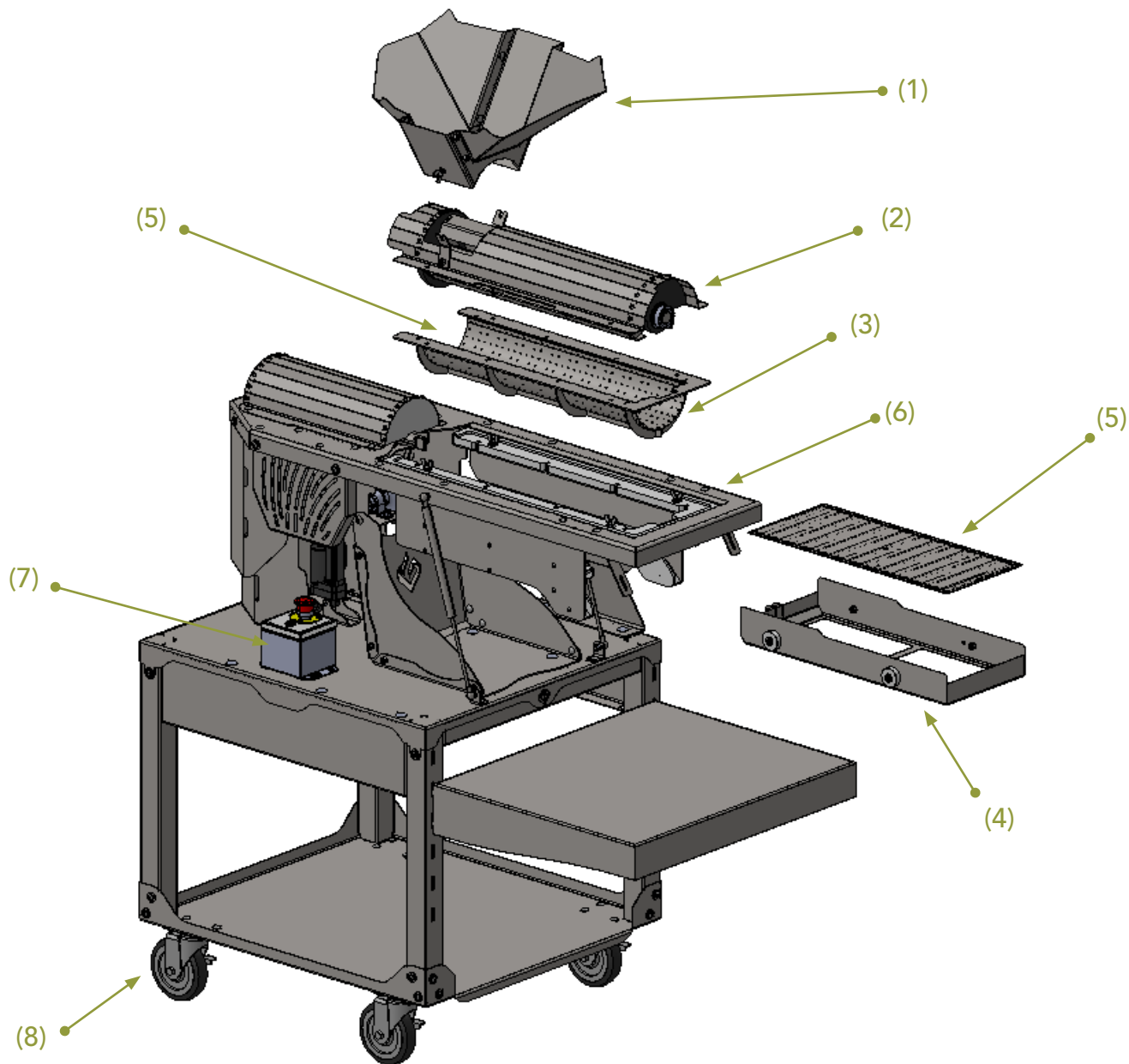
The Model G Precision Grinder is utilized in your post-harvest processing of hemp and cannabis. The Model G de-stems, grinds and sifts, it is the first machine of its kind that gives users complete control of their finished product with perfect consistency. The G's low RPM grinding preserves trichomes and separates stems from material simultaneously.

The G is composed of two primary functions identified as grinding and sifting assemblies. Each function has independent speed control and can be utilized in unison or individually. This allows complete customization in the processing of your product. Both assemblies are fully customizable with 3 interchangeable screens sizes, 1/8", 5/32" and 3/16". Functions can be manipulated and adapted further by utilizing the semi-automatic angle control via electric actuator.

INPUT VARIABLES

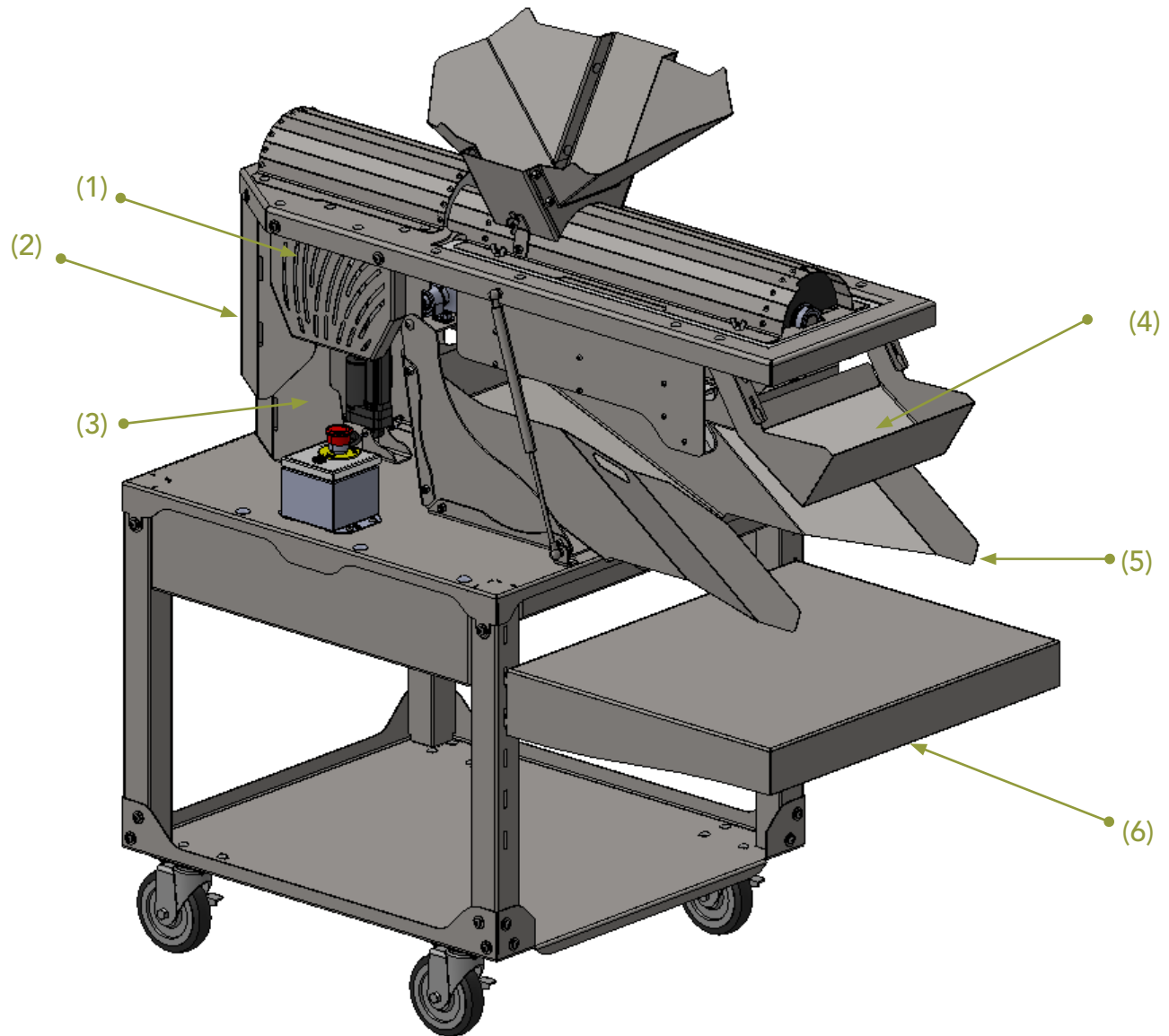
Variable	Effects	Option #1	Option #2
Speed of the blades	Machine Torque RPMs Number of stems in your biomass Throughput per hour	The SLOWER the grinding equates to higher torque and increased stem removal. Slower RPMs allow buds more time to align with the face of the blade, keeping them intact. HOWEVER, there would be less throughput.	The FASTER the grinder rotates, the less torque it has, and the more often it will cease (keep in mind, ceasing is not an issue as long as the machine is not ceased up for an extended period). The higher RPM gives the buds less time to align with the grinding blades and, in turn, will break more stems, putting them into the final product.
Size of perforated metal pieces (sifting screen)	Size of final grind Percentage of stems in final grind	The smaller the perforated metal holes, the smaller your final product will be. The smaller holes will also be more effective at removing stems. However, you will have less throughput.	The larger the perforated metal holes, the larger your final product. The larger holes will be less effective at removing stems. However, you will have a higher throughput
Humidity level of material	Number of stems in your biomass Grind consistency	INCREASING the humidity level of your biomass will DECREASE the number of stems in the final output. This is because dry stems snap and fall apart instead of bending and staying intact.	DECREASING the humidity level will INCREASE the number of stems in the final output. If your material turns into a paste, instead of being ground, it is too wet.
Angle of the grinding volume relative to machine markings	Number of stems in your biomass Throughput per hour	INCREASING the angle of the machine (going from 0 to 5, for example) will DECREASE the number of stems in your final output. This is because the material will be ground for a smaller amount of time.	DECREASING the angle of the machine (going from 5 to 0) will INCREASE the amount of stems in your final output. This is because the material will be ground for a longer period of time.

MACHINE PARTS IDENTIFIER



1. **Hopper** – Quickly detachable from the Grinding Blades Assembly for cleaning.
2. **Grinding Blades Assembly** – Motor driven assembly that is fed by the hopper.
3. **Grinding Medium Assembly** – Adjustable assembly for determining grind size. It is sandwiched between the blade and frame assemblies.
4. **Sifter Cart** – Oscillating cart below the Grinding Medium used as a secondary filtering process.
5. **Perforated Metal Inserts** – Quickly replaceable for custom final product and easy cleanability.
6. **Grinding Frame** – Everything gets fixed to this frame for operation via four studs.
7. **Secondary Emergency Stop** – The machine comes with an emergency stop on both sides of the cart to ensure the operator can immediately always halt operations.
8. **Locking Castors** – The cart is easily movable and quickly lockable via these wheels.
9. **Control Box** – Removable machine interface that the operator uses to control the machine. (not shown)

MACHINE ACCESSORIES AND GUARDS IDENTIFIER



1. **Pulley Guard** – Provides protection from the spinning pulleys for the sifter mechanism’s spinning pulleys.
2. **Motor Guard** – Provides protection against the hot motor and sections of the grinding mechanism.
3. **Wire Guard** – Provides protection against (and for) the actuator and shielded wires.
4. **Stem Catch** – Catches the rejected material from the grinding volume. Tabbed for quick removal and reinstallation, so operation interruption is kept to a minimum.
5. **Ramp** – Catches the ground material falling from the sifter cart and funnels into a container.
6. **Shelf** – Variable slot heights allow for different sizes of containers to be placed closely under the ramp.

TECHNICAL SPECIFICATIONS

Capacity: Grinds 75 Kg/hr (100 lbs/hr)

Approx. Dimensions:

127cm (50") x 92cm (36") x 135cm (53")

Weight: 136 Kg (300 lbs)

Voltage: 110V (220V upon request)

Power: 1/4HP Grinding Motor

1/15HP Sifting Motor

110lb 24V Actuator

Environmental Conditions:

0°C - 40°C (32°F - 100°F)

5% - 95% Relative Humidity

0m – 2000m Elevation (0ft – 6000ft)

Cleaning specifications: Included in cleaning and sanitation section of manual.

Construction: Made up of food safe materials

Surgical 316 stainless steel

Food safe HDPE & UHMW plastic

UNPACKING & INSTALLATION

UNPACKING

Details:

- Remove the machine from shipping crate by unscrewing 4 cart brackets placed on the sides of machine and remove all surrounding plastic and tape.
- Remove any additional packaging material from the machine.
- Ensure that the machine is on a level surface and wheels are locked in position.

Actuator Shipping Brace Removal:

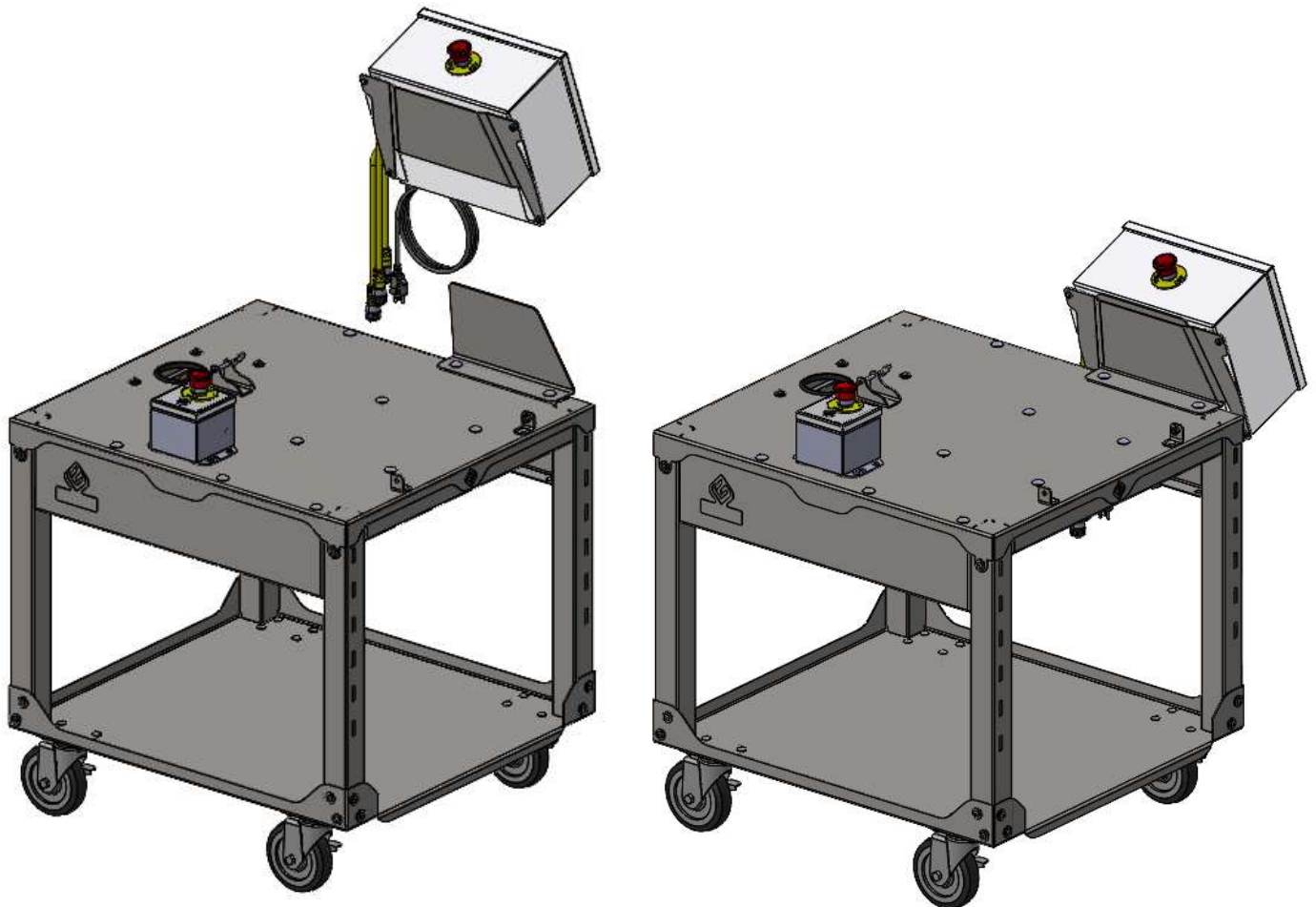
- To install the actuator, you will need to remove the black plastic shipping brace. The actuator mount and brace are located on the machine axis and are visible from the front of the unit.
- Remove the two quick pins by lightly pressing the front of the frame down and pulling pins out.
- The plastic brace will fall out and can be discarded.
- Grab the electric actuator secured next to the plastic brace and align top and bottom mounting points.
- Reinstall pins into top and bottom of actuator.
- Once fixed in place, the actuator is connected and ready for use.

CONTROL BOX INSTALLATION



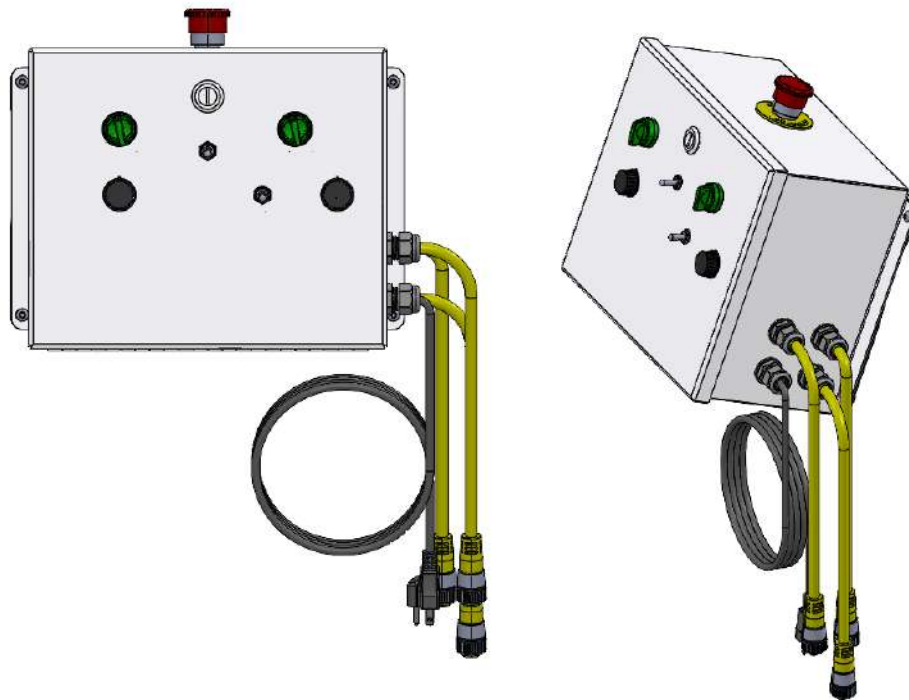
Do not plug this box into a power source until all cables have been fully fixed to their respective plugs and all assemblies and accessories are installed. Rotating equipment and pinch points can cause serious injury.

1. The control box is a 25cm (10") x 30cm (12") x 15cm (6") electrical box that is required for the operation of the machine. The box is not designed to get wet, so it can be quickly removed for cleaning. No hardware or tools are required.
 - a. As seen below, the cart of the grinder has a bracket on the left-hand side that is used to hold the control box. Simply slide the bracket between the gap on the back of the box. Be careful not to bend or pinch any of the cables.



CONTROL BOX INSTALLATION

2. The box will have three yellow communication lines and a black power cable. The yellow connections vary based on the number of pins included on the connections.
 - a. The box has 4-pin, 5-pin, and 6-pin connectors that coincide with the three female connections on the left side of the table. Each of the cables can only fit into its corresponding connection. It is not possible to connect the box to the table incorrectly.
 - b. Do not plug the machine into a power source until all three yellow cables have been fixed to their respective plugs on the table.



SIFTING CART & SCREEN INSTALLATION & DETAILS



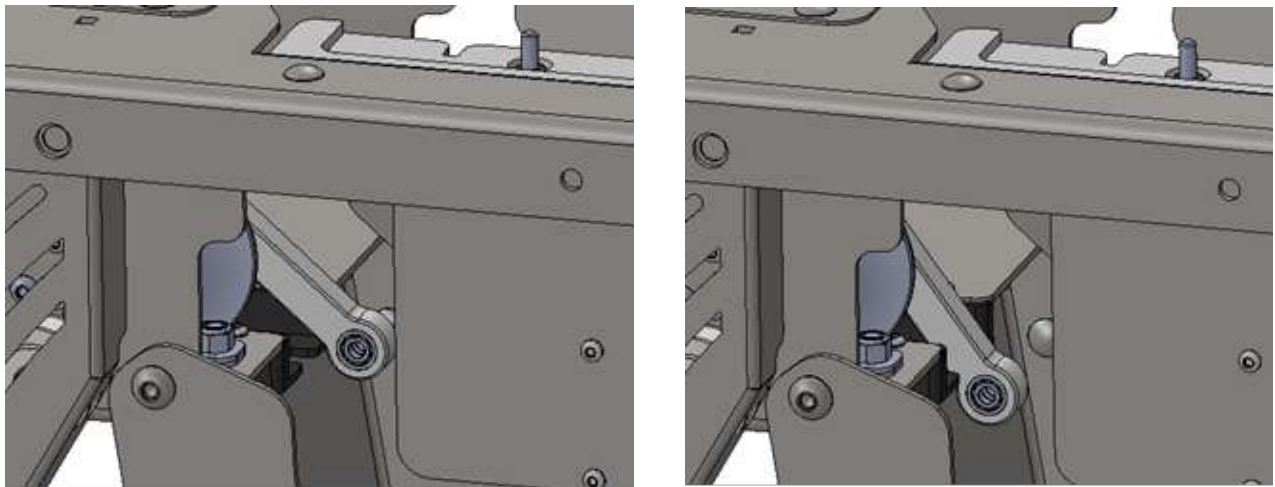
There are motorized components on this machine that can cause severe injury. When installing or removing ANY components or assemblies, ensure that the machine has an active emergency stop and is unplugged from any power source.

The Sifting Cart is held in a roller track on the Grinding Frame and fixed to the Crank Arm in the Mechanical Housing via the short ¼" quick release pin provided for toolless installation.

SIFTING CART & SCREEN INSTALLATION & DETAILS

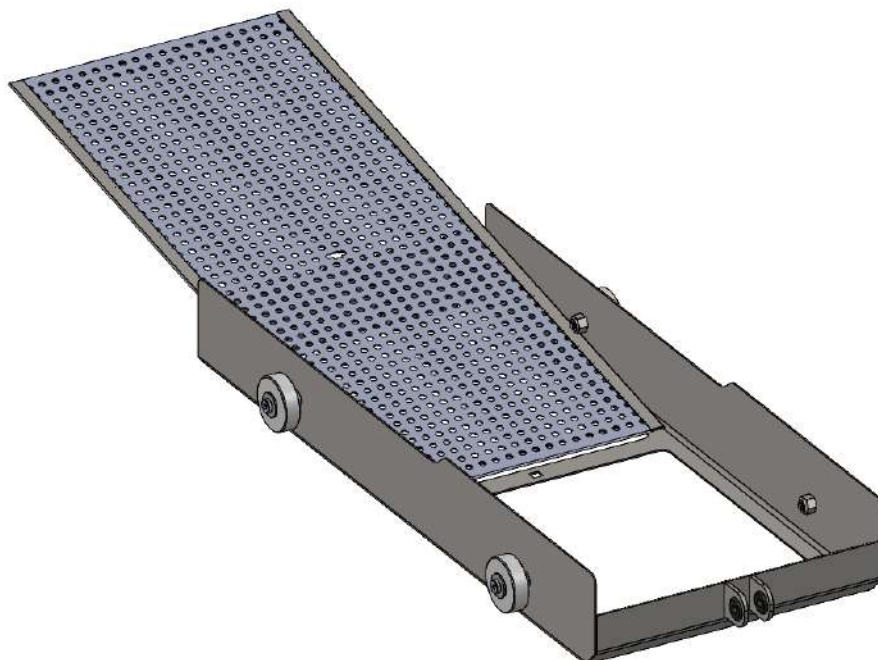
Caution: Never power the sifter's motor when the sifter cart is not installed, damage to the machine can occur.

Before installing the cart assembly, first, make sure the Crank Arm is centered in the slot of the plastic guard, as shown below. It must be centered; otherwise, the cart and crank will not align properly. If it doesn't effortlessly slide into the slot, see troubleshooting section for instructions.

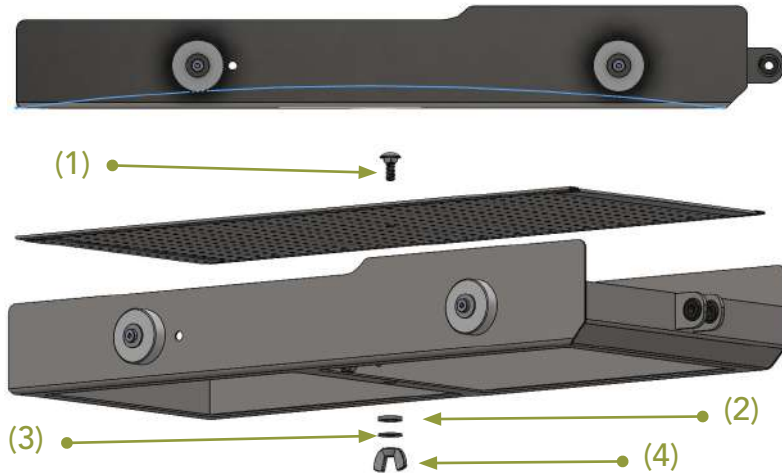


Sifting tray installation instructions:

Begin installation by placing the leading edge of your sifting screen under the hardware at the front of the sifting tray's wheels and sliding the screen to the back of the tray. When installed, the weldment should have a slight upward-facing curve to it, as shown below. Lastly, use the hardware stack shown to secure the perforated metal to the cart.

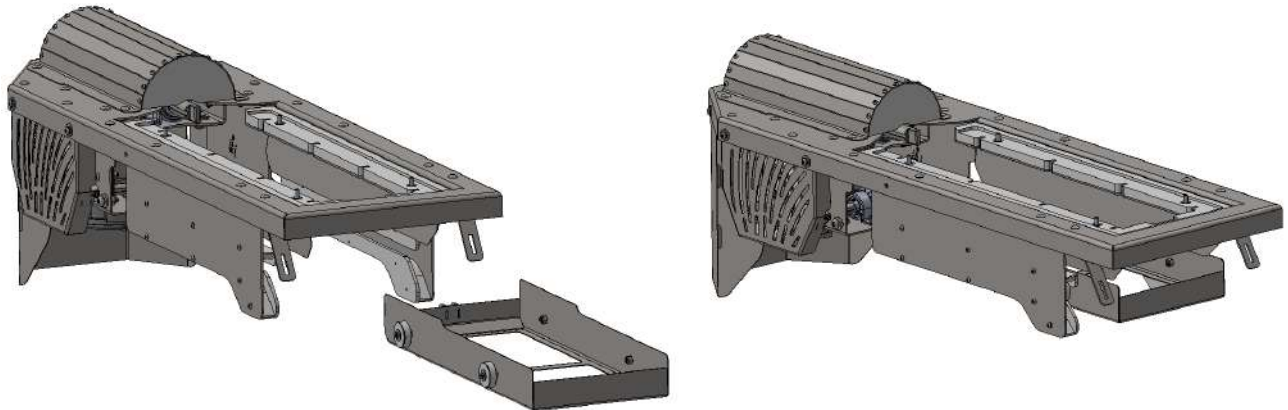


SIFTING CART & SCREEN INSTALLATION & DETAILS

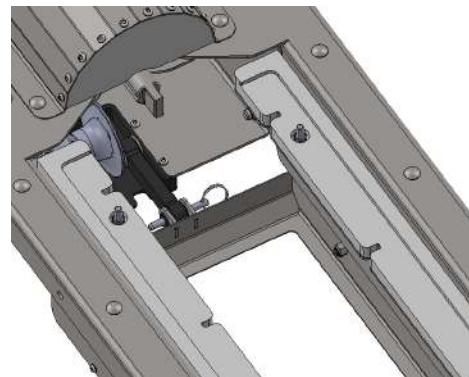
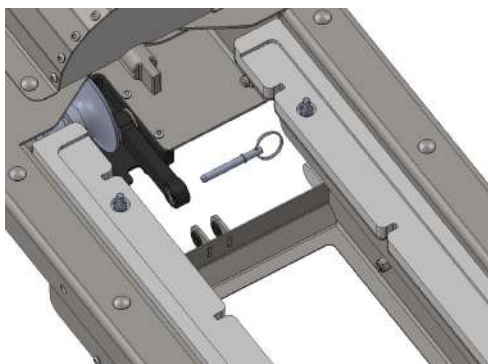


1. 1/4-20 carriage bolt
2. 3/8 split washer
3. 1/4 washer
4. 1/4-20 wing nut

Next, simply roll the cart onto the tracks of the Grinding Frame. The wheels of the cart will position the assembly for attaching it to the Crank Arm. Caution: If the frame is at a lowered angle and the cart is not fixed to the crank yet, it will roll out of the rails and may injure someone or become damaged.



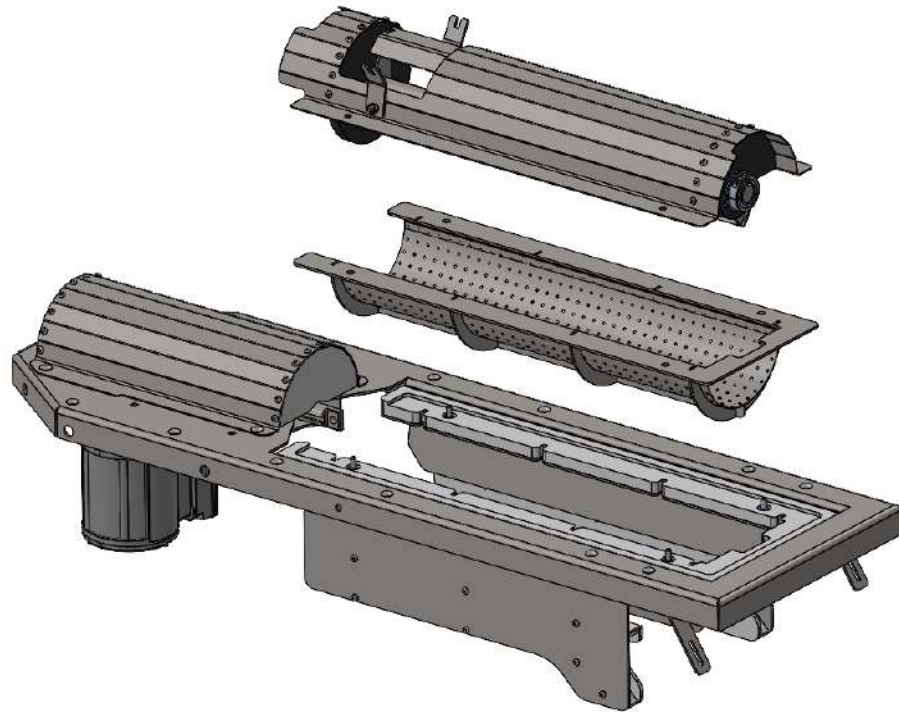
Lastly, the short 1/4-inch quick release pin is used to fix the cart to the Crank Arm. Pull the Crank Arm towards the front of the machine, putting it in its forward most position. Roll the Sifter Cart back to align the crank between the cart's tabs. The sifter tabs have rubber grommets designed to dampen the noise from the oscillating mechanical movement. Sliding the pin through both the grommets and the crank's bearings will fix the cart to the mechanical housing. Be sure to insert the quick release pin all the way to its shoulder as shown.



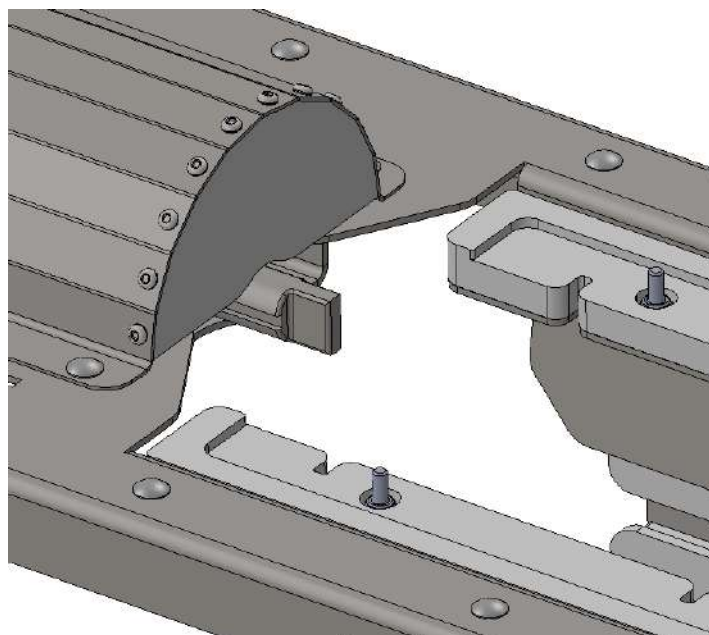
GRINDING MEDIUM & BLADES INSTALLATION & DETAILS



There are motorized components on this machine that can cause severe injury. When installing or removing ANY components or assemblies, ensure an emergency stop is engaged and the machine is unplugged from any power source.



Before installing either assembly, ensure the motor shaft's stud is positioned vertically. If it is not, use an adjustable wrench to rotate the stud until it is correctly positioned, as shown below.



GRINDING MEDIUM & BLADES INSTALLATION & DETAILS

The Grinding Medium Assembly is placed onto the Grinding Frame's studs first and is what the operator uses to control the size of the output material. The operator must choose what hole sizing they want to use. The characteristics of each of the hole sizes are outlined below. When physically installing the assembly, ensure the open end is orientated towards the motor side of the Grinding Frame, shown on the previous page.

- The 1/8" diameter hole size is the best at filtering unwanted material out of the output, however, it has the lowest throughput of the three choices.
- The 5/32" diameter hole size is in the middle ground compared to the other sizes.
- The 3/16" diameter hole size is not ideal for filtering unwanted material from the output however, it has the highest throughput of the three choices.

The Grinding Blades Assembly is the motorized portion of the Grinder and is what moves the material through the machine. This assembly also gets placed onto the four studs on the grinding frame and on top of the grinding medium.. If the shafts do not align, the blades can be spun by hand to move the slot into place. The shafts are shown isolated below to help illustrate this process. Use 4 1/4-20 wing nuts to secure to frame.



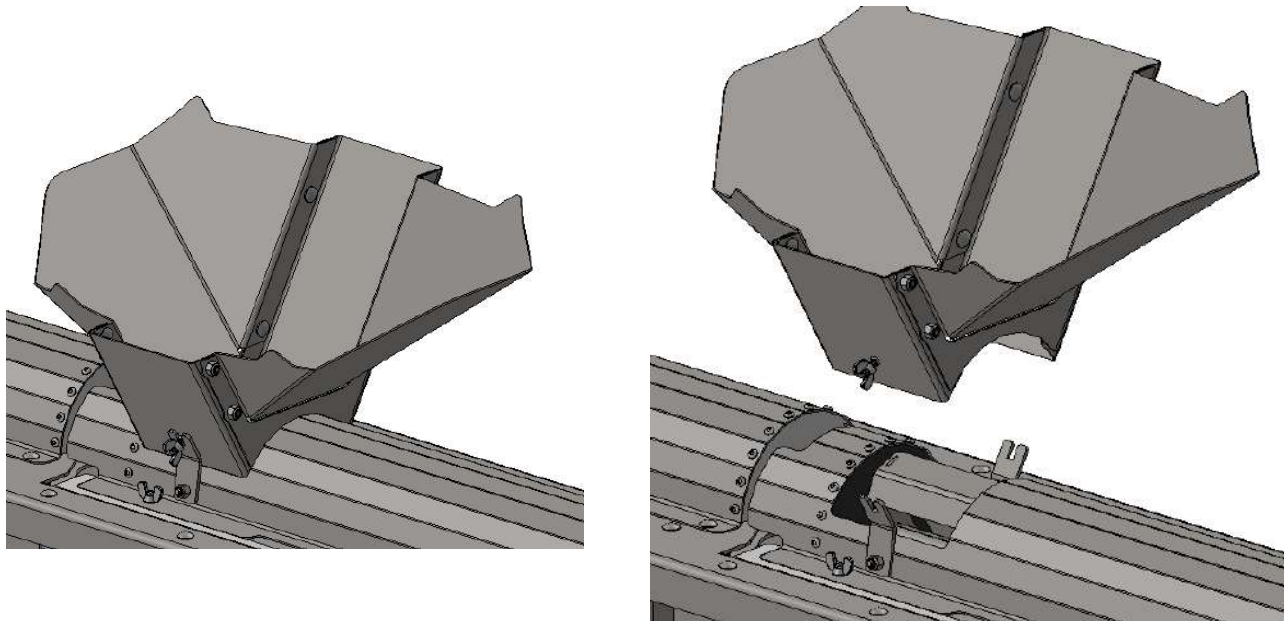
HOPPER INSTALLATION & DETAILS



There are motorized components on this machine that can cause severe injury. When installing or removing ANY components or assemblies, ensure an emergency stop is engaged and the machine is unplugged from any power source.

HOPPER INSTALLATION & DETAILS

The hopper is fixed to the Grinding Blades assembly via two ¼-20 carriage bolts and wing nuts for quick and toolless installation. This is a vital piece of the machine. It allows the operator to keep their hands away from the motorized blades when not utilizing the Rise Conveyor for feeding (highly recommended). Simply loosen the wing nuts on the bolts and slide the hopper onto the brackets on either side of the opening. Ensure to slide the carriage bolts between the slot of the brackets. Retighten the wing nuts. The bottom of the hopper's walls should be flush with the top of the Grinding Blades assembly, as shown below.



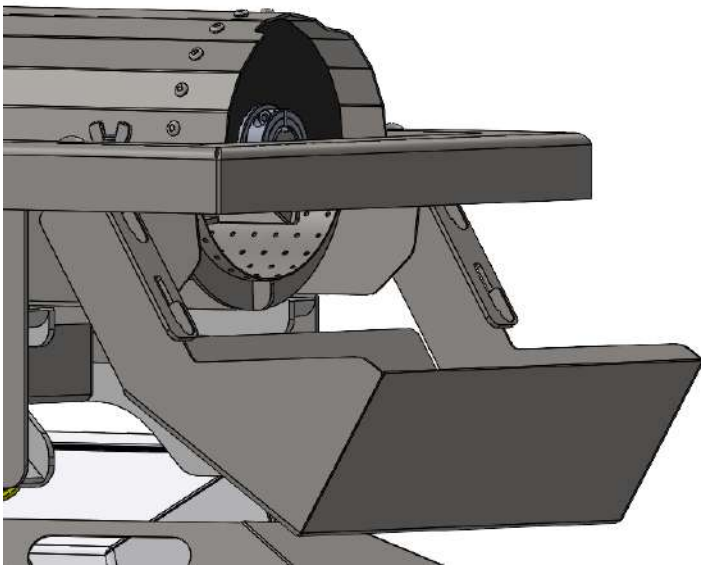
REMOVABLE ACCESSORIES INSTALLATION & DETAILS



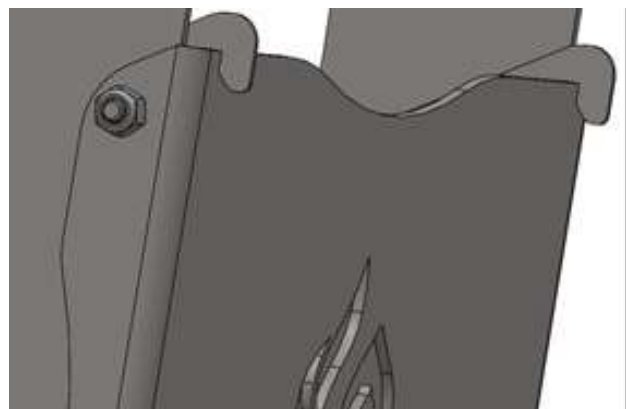
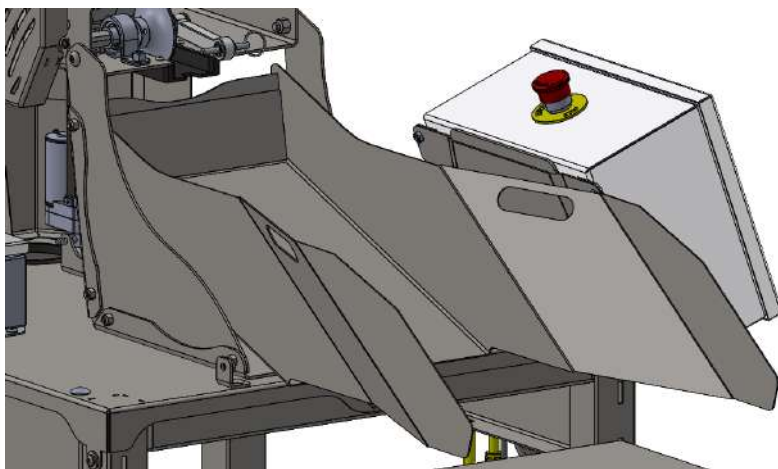
There are motorized components on this machine that can cause severe injury. When installing or removing ANY components or assemblies, ensure an emergency stop is engaged and the machine is unplugged from any power source.

The Stem Catch slides into the slots of the front rails on either side of the frame of the grinder. This is designed to catch the unwanted material coming from the grinding volume. It is recommended to clear this catch regularly as the machine is running. Removing the catch requires the sifter portion of the machine to be stopped. However, using caution, it is safe to clear it with your hands during operation.

REMOVABLE ACCESSORIES INSTALLATION & DETAILS

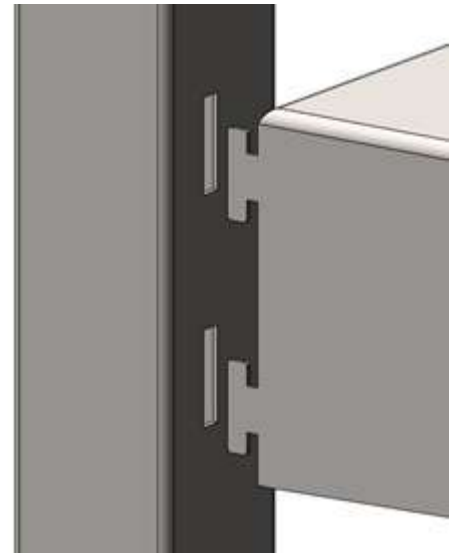
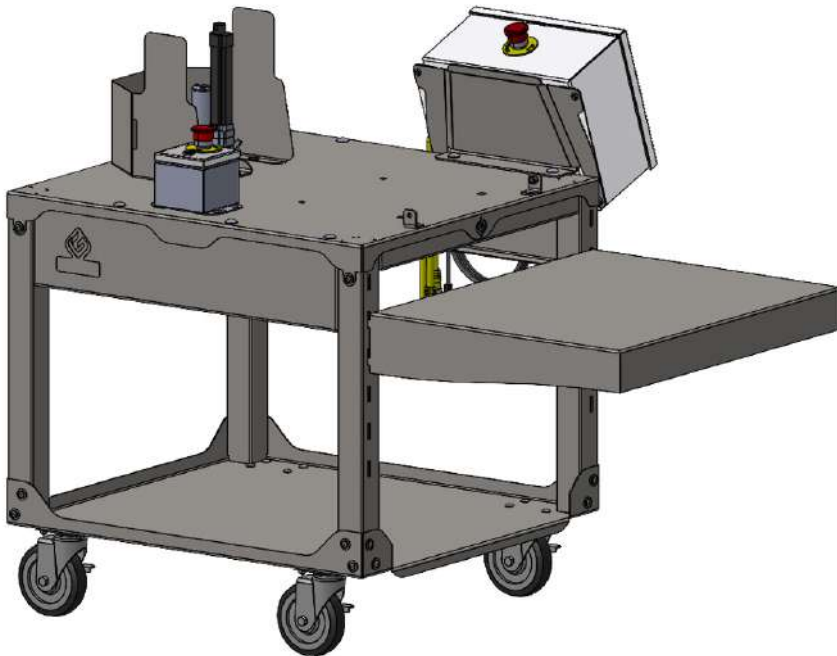


The ramp at the front of the machine slots to the back of the base frame of the grinder. This is designed to catch the raining material from the grinding volume and centralize it into the operator's receptacle. Material may build-up towards the back of the ramp and should be cleared when necessary.



REMOVEABLE ACCESSORIES INSTALLATION & DETAILS

The shelf at the front of the machine is able to slide into any two slots on the front of the legs. The tabs are double-sided because the shelf can be placed as shown or flipped to create a receptacle. The slots on the front legs allow the operator to change the height of the shelf for various sizes of containers.



LOCKING CASTORS ADJUSTMENT



SCAN QR Code

to see How to Adjust Castor Locks for Safety and Flexibility of Your Model G



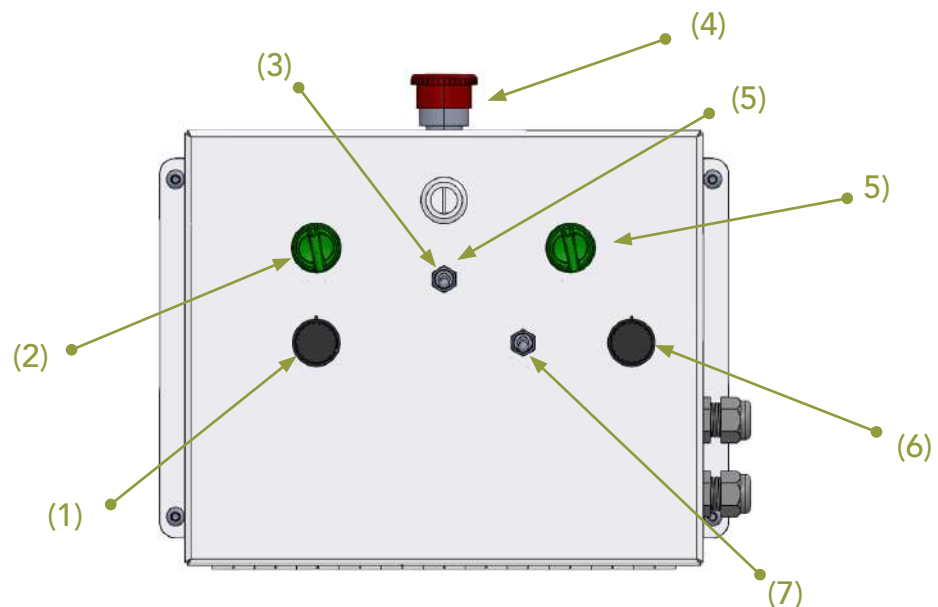
MACHINE OPERATION & DETAILS



This machine has rotating parts and pinch points that can cause serious injury. When powering the machine, ensure that all guards, assemblies, and accessories have been properly installed. Absolutely no loose hair, clothes, jewelry, or accessories permitted when operating.

To begin using your machine, plug the power cord into a power source. This should only be done once the operator is ready to begin grinding and all guards, assemblies, and accessories have been properly installed. Below is a diagram of the control box and what each of the inputs control. The red emergency stop button at the top of the box can be pressed at any time to immediately cut all power to the machine. There is also a secondary emergency stop fixed to the right-hand side of the machine's cart, so the operator always has one within reach.

1. Sifter Speed
2. Sifter Power
3. Level Control
4. E-Stop
5. Grinder Power
6. Grinder Speed
7. Clear Function



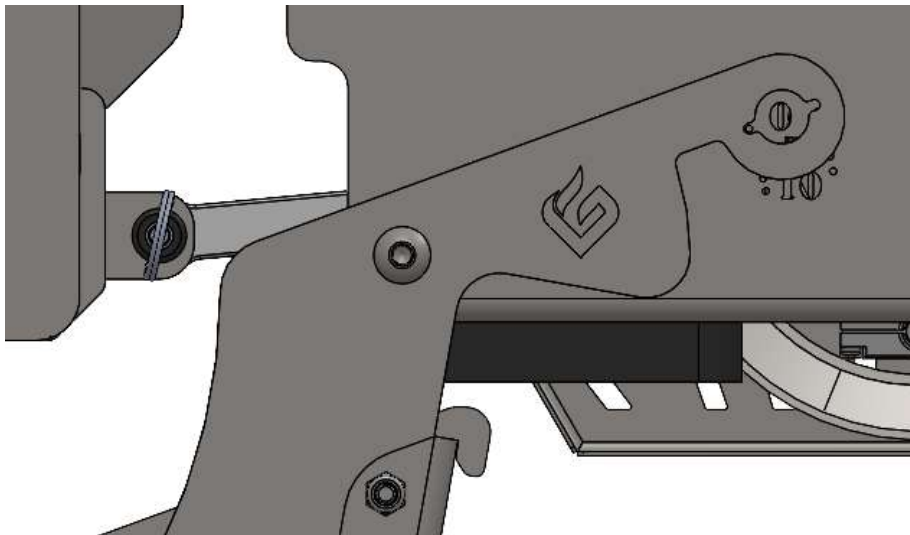
The sifter cart controls are on the left-hand side of the panel. This includes a green ON/OFF toggle switch that delivers power to the sifting motor and a black speed control dial. Turn the speed control dial counterclockwise until it stops so the mechanism does not start moving when power is supplied. Turn the green toggle switch clockwise to deliver power to the sifter motor. The illuminated light represents power delivery to the motor. Turn the black speed control dial clockwise to the desired speed. The sifter is capable of about 0-4 OPS (oscillations per second).

- The speed of the sifter is variable. However, high OPS is recommended.
- The light under the knob should stay lit when power is being delivered. If the light turns on and goes out after letting go of the knob, the emergency stop may be enabled. Turn both of the e-stops clockwise to ensure they are both released. If the issue persists, contact our customer service department.

MACHINE OPERATION & DETAILS

The actuator control is the centered toggle switch, to give the operator control over the tilt of the grinding frame. This switch has three positions, up, centered, and down. Neutral will keep the angle of the machine constant while the up and down positions will adjust the angle. Toggle the grinding platform up or down based on the angle that best suits your needs. Due to variations in your flower's moisture and density, there is no universal combination.

- The level control on the Grinder allows the operator to control how long the material spends inside of the machine. At a shallow angle the material will spend more time being ground. The opposite is true for the machine being set at a steeper angle.
- Ideally, there should only be stems and seeds falling out of the front of the machine into the stem catch. If your desired material is coming from the front of the machine, the material needs to spend more time being ground. This is accomplished by decreasing the angle of the Grinding Frame.
 - The angle finder (found on the left-hand side of the machine and marked with our logo) shows the angle of the machine from 0 to 10 degrees, where 0 degrees would be parallel with the ground.
 - Generally speaking, between 3 and 7 degrees would be optimal. Going past 10 degrees is not recommended. **WARNING: Damage to the machine or its accessories can occur if going past 10 degrees.**



SCAN QR Code
to see the
How To Operate Model G Video



MACHINE OPERATION & DETAILS

The grinders controls are on the right-hand side of the panel. This includes a green ON/OFF toggle switch that delivers power to the grinding motor, a black speed control dial, and a two-position toggle switch. The two-position toggle switch is used to clear the motor in the case of a jam. Turn the speed control dial counterclockwise until it stops so the mechanism does not start moving when power is supplied. Turn the green toggle switch clockwise to deliver power to the sifter motor. The illuminated light represents power delivery to the motor. Turn the black speed control dial clockwise to the desired speed. The motor is capable of 0-60 RPM.

- If the motor begins to cease from the material, use the two-position toggle switch to unjam the grinder. When under power, the grinder will always turn counterclockwise; however, when this switch is held down, the motor will begin to reverse. Reverse is only required for a small period to clear the blockage.
- The light under the knob should stay lit when power is being delivered. If the light turns on and goes out after letting go of the knob, the emergency stop may be enabled. Turn both of the e-stops clockwise to ensure they are both released. If the issue persists, contact our customer service department.

SHUT DOWN

- Turn both speed control knobs all the way counterclockwise to bring both mechanisms to a stop.
- Remove power from the motors by rotating the illuminated green knobs, if the light doesn't turn off, the motor is still receiving power. Both should be off now.
- Press one (or both) of the emergency stop buttons and ensure that it stays compressed. Operator should have to twist the e-stop to disengage it.
- Unplug the machine from the power source
- Disconnect the three power and communication cables
- Allow to cool

The machine is now ready for disassembly and cleaning.

CLEANING AND SANITATION



There are motorized components on this machine that can cause severe injury. When installing or removing ANY components or assemblies, ensure that the machine has an active emergency stop and is unplugged from any power source.

Required Tools:

Wrenches: 7/16"
Hex Keys: 1/8", 5/32", 3/16"

Recommended Cleaning Products:

Isopropyl Alcohol
Resin Clear (food safe cleaning agent)
Soap and Water
High Pressure Power Washer
Rough Anti-Microbial Sponge
Non-Metallic Grout Brush
Non-Metallic Scraper
Microfiber Cloth (or Similar)

Avoid the plastic components, electrical components, bearings, seals, and any other surfaces or materials that could be damaged by harsh chemicals or close proximity of high-pressure water.

The machine breaks down for general cleaning without any tools required. For a deeper clean of each of the components, the tools listed above are required. There are surfaces on the frame and components of the Model G that should be paid special attention to because they come in direct contact with your product. These assemblies listed below can be broken down into their individual components if a deep clean is desired. Keep chemicals and high-pressure water away from the plastic components and bearings when cleaning, soap and water is recommended.

Removable Machine Accessories

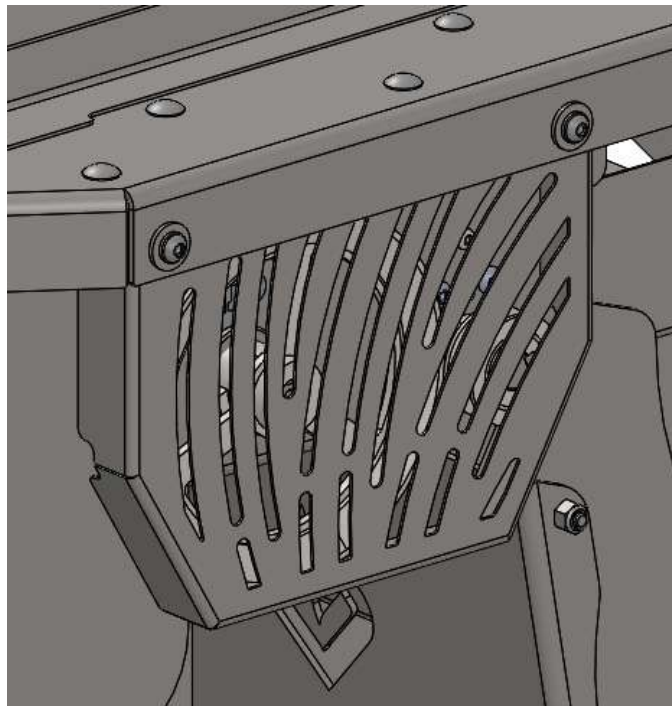
The Hopper, Stem Catch, Ramp, and Shelf don't require tools to be removed and are made of pure 316 stainless steel. These are and fully IP69K rated for convenient cleaning.

CLEANING AND SANITATION

Machines Cart and Frame

If desired, the three guards on the back of the machine can be removed using a 5/32" Hex key. These are outlined below and are pure 316 stainless steel and include a brass rivet nut for installation. It is recommended to remove the pulley guard, followed by the motor guard, and finish with the wire guard. The corresponding bolts are identified below. The machine's cart, frame, guards, and electronics do not come into direct contact with material, so it is recommended to only use compressed air followed by a damp rag for clearing any excess material. For more information on the ingress protection (IP ratings) of the electronics or components not listed below, contact our customer service department.

- The Pulley Guard has two 1/4-20 bolts with lock washers and flat washers outlined below. Taking them out with a 5/32" hex key will remove the guard from the frame.

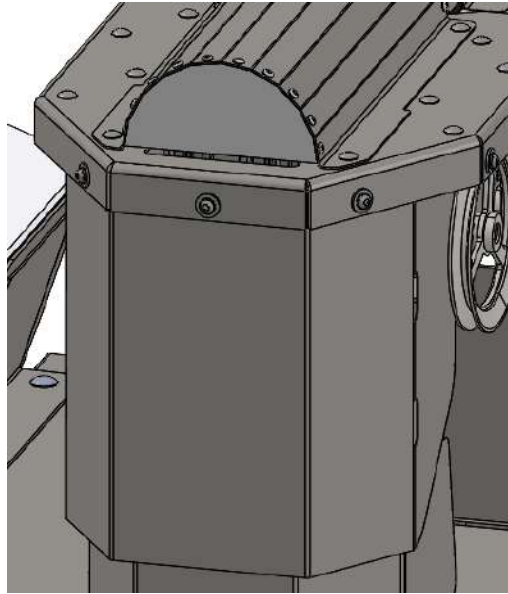


SCAN QR Code
to see the
How To Clean Model G Video

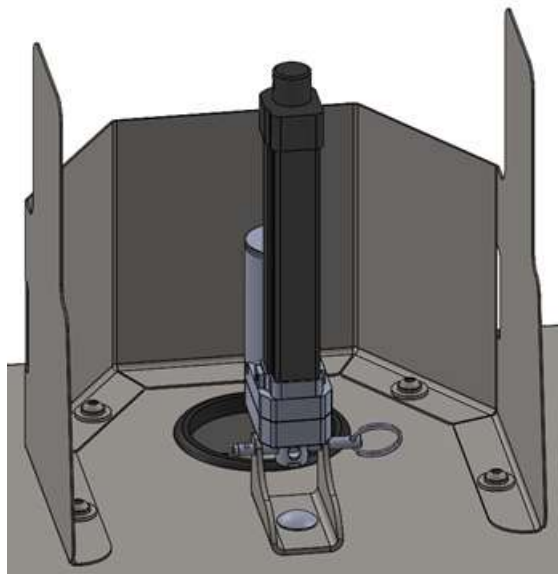


CLEANING AND SANITATION

- The Motor Guard has three 1/4-20 bolts with lock washers and flat washers outlined below. Taking them out them with a 5/32" hex key will remove the guard from the frame.



- The wire guard has four hidden 1/4-20 bolts with lock washers and flat washers outlined below. Taking them out them with a 5/32" hex key will remove the guard from the frame. This guard must be removed last, otherwise access to the bolts is limited.



CLEANING AND SANITATION

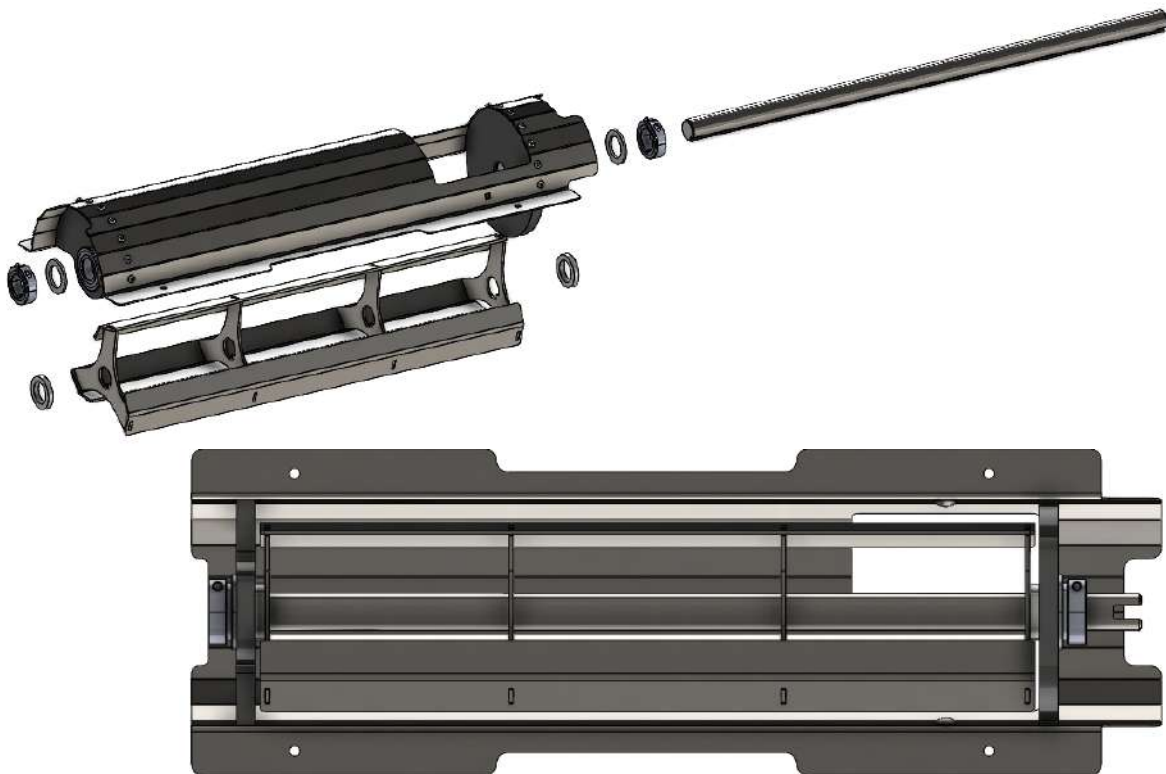
Grinding Blades Assembly

If desired, this assembly can be fully disassembled by removing one of the shaft collars with a 3/16" hex key and sliding the shaft out. Take note of the orientation of the blades with the assembly. The HDPE walls have food-safe bearings press-fit into them and are held in with friction, do not remove them. The white 1/8" spacers go between the bearings and shaft collars, on the outside of the housing. The white 1/4" thick spacers go on the inside of the housing, between the black plastic walls and the blades. After reassembling, the shaft collars should hold the assembly tight, and the shaft should be flush with the shaft collar at the front of the grinding volume. For more details see pictures below, the bottom perspective of assembly shows the spacers installed and the shaft flush with the corresponding shaft collar.

- Once taken apart, the stainless portions of this assembly are IP69K rated for quick and easy cleaning. The bearings, plastic spacers, and plastic walls are IP67 rated.



Caution: Carefully place the shaft through the components, do not slide or drop the shaft through as it can impact the plastic or the bearings and cause damage to the machine or injury to the operator.



CLEANING AND SANITATION

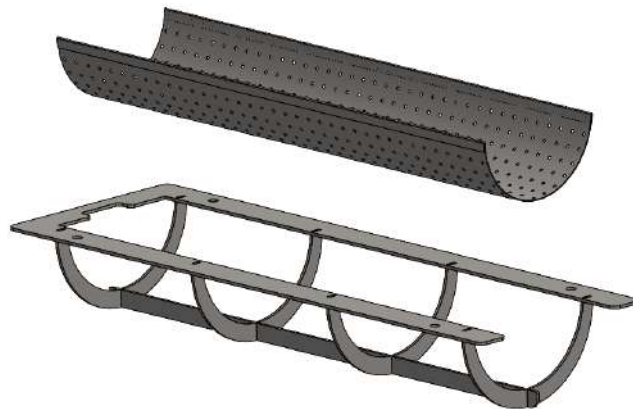
Grinding Medium Assembly

If desired, the perforated metal portion of this assembly can be removed. It is held in place with tension and can be taken out without tools by squeezing it at the long edges and releasing it from the bottom of the frame. When reinstalling the perforated metal, place the end of the perforated metal against the closed wall of the frame top while rotating and placing one of the covered edges against the lip of the frame. Then, just push the other covered edge down until it snaps into the frame.

- This assembly is pure 316 stainless steel and is IP69K rated for quick and easy cleaning.



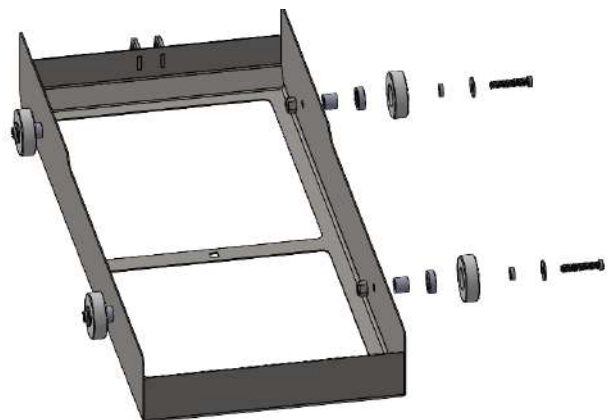
Caution: Do not crease or overbend the perforated piece or fitment issues may occur. The exposed ends of the perforated metal may be sharp.



Sifter Cart Assembly

If desired, the cart of the sifter can be fully disassembled with a 1/8" hex key and a 7/16" wrench. The hardware stack is critical and must be replaced in the same order. Take note of the orientation of the wheel and bearing. The wall of the wheel faces outwards towards the head of the bolt. The bearings are press-fit and held with friction—it is not recommended to remove them. The grommets are also removable as they are just seated in the rear tabs.

- The cart and hardware are pure 316 stainless steel and are fully IP69K rated for convenient cleaning. The bearings, wheels, and grommets are IP67 rated.



TROUBLESHOOTING

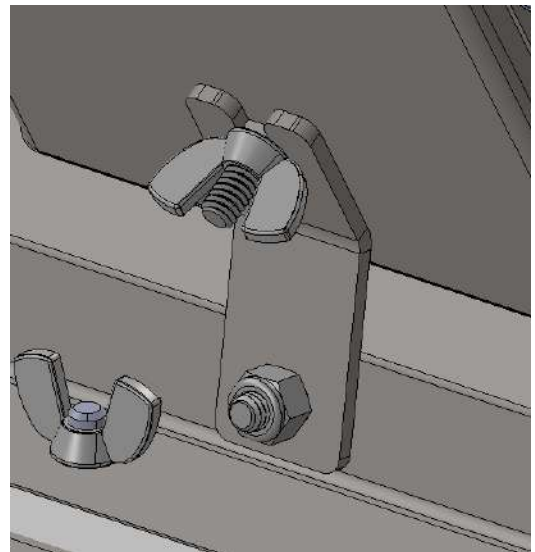
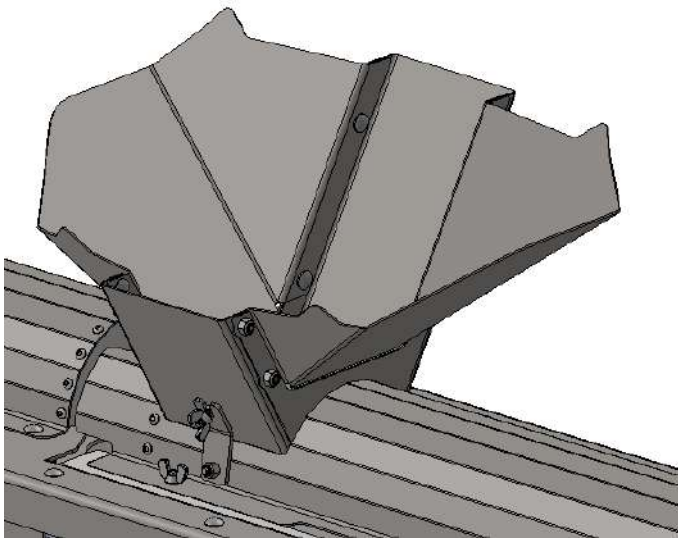


There are motorized components on this machine that can cause severe injury. When doing any type of troubleshooting, ensure that the machine has an active emergency stop and is unplugged from any power source. If possible, always remove the component from the machine for adjustment.

Hopper Not Sitting Correctly

If the operator is noticing excessive material escaping between the Hopper and the top of the grinding volume, it is likely that the Hopper, or Hopper Brackets, are misaligned. With the tight tolerances used, misalignment may happen during cleaning or transportation.

- Tools Required: 7/16" Wrench & Soft Hammer
- The Hopper Brackets are not parallel with the grinding volume.
- Double check the bottom of the Hopper Brackets are parallel with the top of the Grinding Blades. If they are not, remove the hopper and lightly tap them until they are parallel.

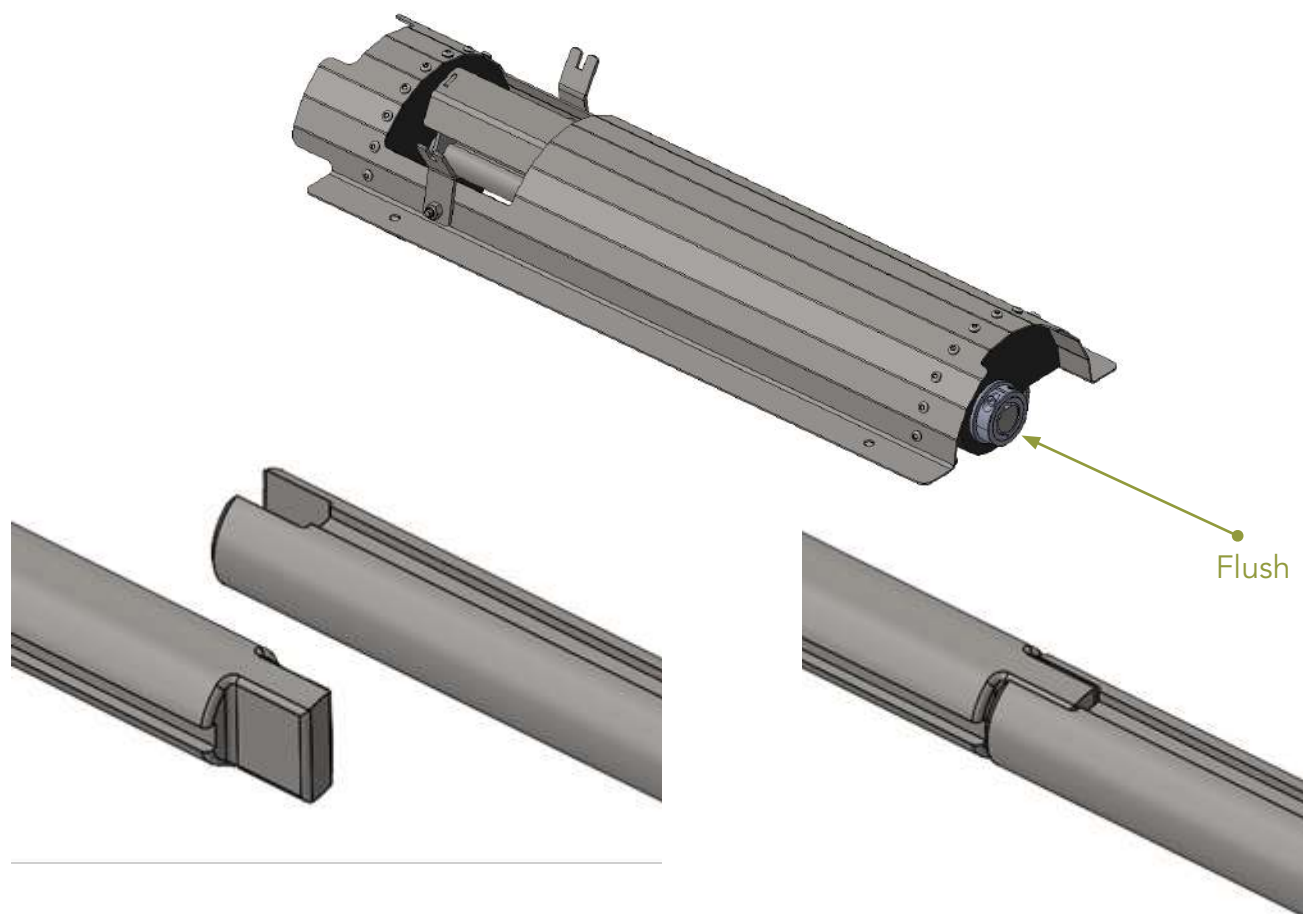


Misalignment of Shaft Tab and Slot After Deep Cleaning

If the operator is having difficulty installing the Grinding Blades assembly because the shafts tab and slot are not aligning, it is likely that the shaft collars were not placed in the correct position after deep cleaning. It is recommended that only one shaft collar is removed during deep cleaning to keep the position of the assembly precise.

TROUBLESHOOTING

- Tools Required: 3/16" Hex Key & Soft Hammer
- The shaft of the grinding assembly is not flush with the front shaft collar.
- To adjust the positions of the shaft collars, loosen both of them using a 3/16" Hex Key. Next, softly tap the slot of the shaft with a soft hammer until it is flush with the front shaft collar. Without allowing the shaft collars to migrate, retighten them and reinstall the assembly for operation.

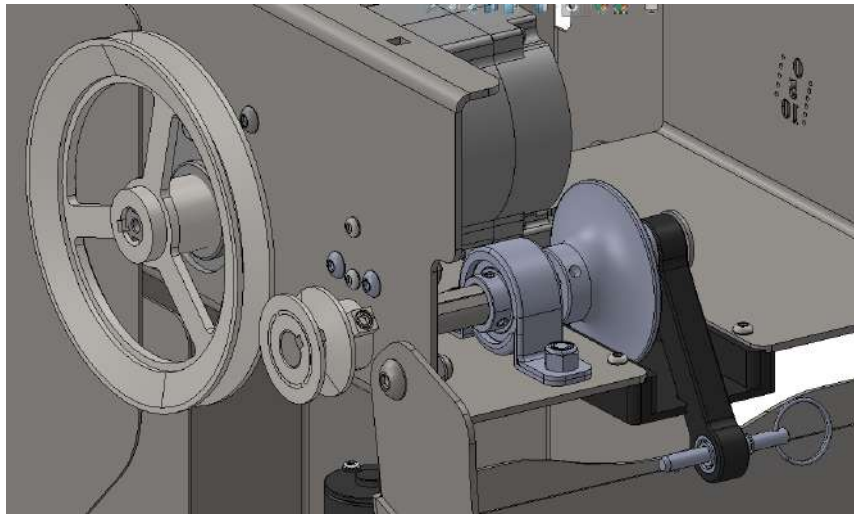


Crank Mechanism is Not Centered

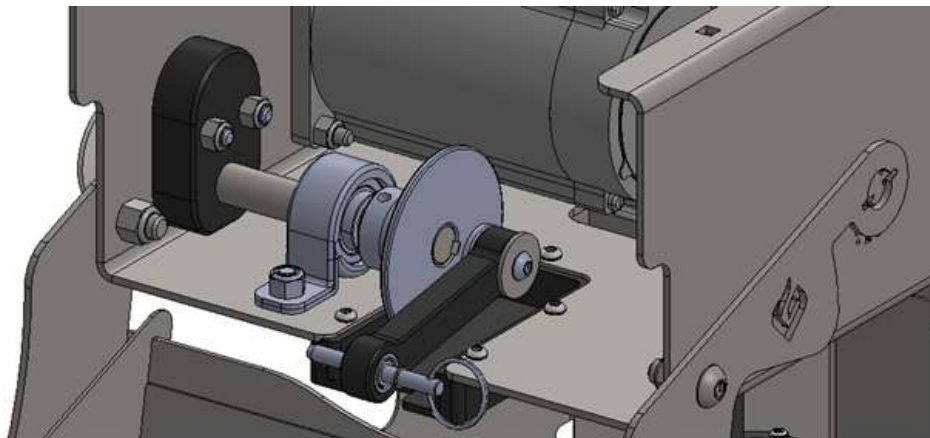
If the operator finds that the crank arm is slightly misaligned with the slot of the crank guard or the sifter's tabs, it must be adjusted. The centering of this mechanism is critical to proper operation of the machine.

- Tools Required: 1/8" and 2.5mm Hex Keys
- Adjusting the Hub Handle Crank to center the sifting assembly.
 - The Hub Handle Crank assembly will have to be slightly adjusted on the shaft it is secured to using a 1/8" Hex key. There are two set screws fixing it to the shaft, be sure to loosen both. Once the crank is loose and slides freely on the shaft, place the crank inside the slot of the guard and retighten both set screws. Be mindful of the shaft key and make sure it is reinstalled after adjustment.

TROUBLESHOOTING



Caution: Ideally the crank shaft should be flush with the face of the hub crank as shown below. After adjustment, if the hub crank was excessively misaligned, the 5/8" shaft may stick out too far past the hubs face and impact the plastic crank arm. If it does, the set screws on the Hub Handle Crank (1/8" Hex Key), 5/8" mounted bearing (2.5mm Hex Key), and small pulley (1/8" Hex Key) must be released so the shaft itself is able to be moved over relative to the rest of the assembly



Motor, Actuator, or Control Box Issues

If the operator is having issues with either of the motors, the actuator, or the control box, contact our customer service department for assistance.

MAINTENANCE



There are motorized components on this machine that can cause severe injury. When doing any type of troubleshooting, ensure that the machine has an active emergency stop and is unplugged from any power source. If possible, always remove the component from the machine for adjustment

Required Tools:

- Wrenches: 7/16"
- Hex Keys: 2.5mm, 3mm, 1/8", 5/32", 3/16"

Checking Bearings and Bearing Housings

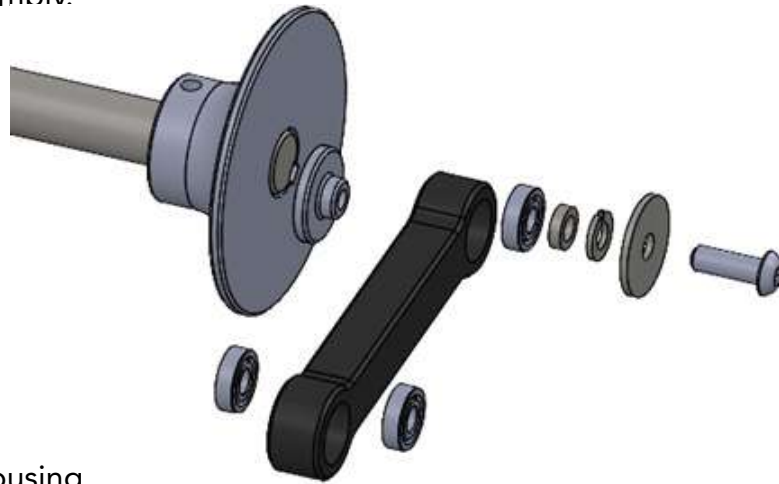
There are bearings used on the sifter cart, grinding assembly, in the mechanical housing, and parts of the grinding frame. Whenever these assemblies are uninstalled from the machine for cleaning or swapping accessories, the health of the bearings should be reviewed. There should be no noise coming from any of the bearings during operation. Even if there is no noise, it is recommended to check the bearings by hand periodically. Check them by feeling for any rough areas or spots of higher resistance while rotating them with your fingers.

- Grinding Assembly
 - Tools Required: 3/16" hex key
 - There are two 1-inch food-safe bearings press-fit into the walls of the grinding assembly. The shaft of this assembly should be able to be rotated by hand, allowing the blades to spin freely. If there is resistance, the shaft should be uninstalled and each of the bearings checked by hand.
- Sifter Cart
 - Tools Required: 1/8" hex key & 7/16" wrench
 - There are four 1/4-inch food-safe bearings press fit into the wheels of the sifting cart. Each of these wheels should be able to be spun by hand with no resistance. If there is resistance, that wheel's assembly should be taken apart and the bearing checked by hand. Hub Handle Crank Assembly

MAINTENANCE

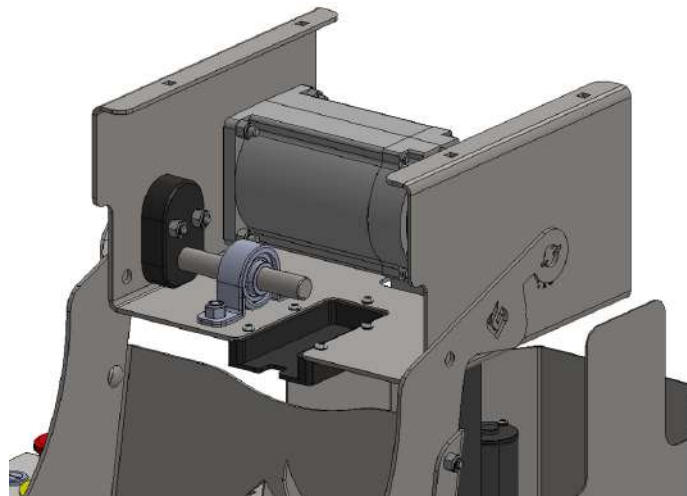
- Hub Handle Crank Assembly

- Tools Required: 5/32" hex key
- There are three 1/4-inch (5/8-inch OD) food-safe bearings press fit into the plastic crank arm of this assembly. The two front bearings are easily reachable when the sifting cart is removed. With the cart removed, the crank arm should spin freely on the hub face. If it doesn't, remove the retaining screw, using a 5/32" hex key, and check the bearing by hand. When reinstalling, replace the hardware in the correct order, shown below. It is not recommended to remove the hub of the crank assembly.



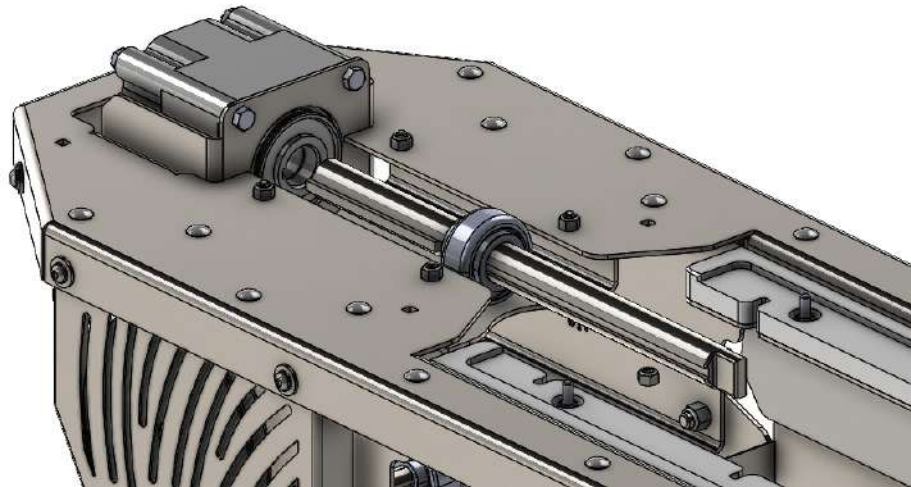
- Mechanical Housing

- Tools Required: 2.5mm & 1/8" hex keys
- The mechanical housing has two 5/8-inch food-safe bearings. One mounted to the base of the housing and the other to the wall. Both can be checked by hand by removing the v-belt and then spinning the small pulley by hand. There should be little resistance from the bearings. If there is, loosen the set screws on the mounted bearing and the hub handle crank assembly. This will allow the 5/8-inch shaft to be pulled out towards the small pulley and each of the bearings checked by hand. Caution: When rotating the pulleys without the sifter cart, pay close attention to the position of the crank arm, so no accidental damage occurs to any assemblies, and no collisions are mistaken for possible bearing issues.



MAINTENANCE

- Grinders Frame
 - Tools Required: 7/16" wrench, 5/32" and 3mm hex key
 - The grinding frame has a 1-inch food safe mounted bearing that is hidden by the motor cover. This mounted bearing can be checked by removing both the motor cover and loosening the bearing set screws (see highlighted bolt heads below). The guard covering the back of the motor will need to be uninstalled to gain access to the required nylon nuts using a 5/32" hex key. Remove the top motor cover with a 7/16" wrench and release the set screws in the mounted bearing using a 3mm hex key. The shaft will be able to slide forward and out of the motor. Once the shaft is free, it should be able to be spun by hand with little resistance.



MAINTENANCE

Pulley Belt Replacement

If the operator is noticing that the sifting assembly has sporadic changes in throw or velocity without any input from the control box, it is likely that the belt is beginning to slip on the pulleys.

- Replacing the rubber V-belt
 - Tools Required: N/A
 - To remove the old v-belt, first remove the pulley guard (detailed in the cleaning and sanitizing section). Next, use a tool to put lateral force on the belt and rotate the pulleys by hand, much like replacing a bicycle tire. Once the belt has a footing on the outside of the pulley, continue turning it and the belt will pop off. Installing the new belt works the same way. Wrap the belt around the small pulley and rotate the large one, by hand, until the belt begins to catch. Continue rotating the pulley until the belt is fully seated.



SCAN QR Code
to see the
Model G Video Showcase



MODULAR SYSTEMS

Rise-N-Grind

Coupling your Model G with a Rise Conveyor will further automate your operation. The Rise Conveyor will introduce continuous metered feeding into your pipeline, enabling you to decrease human touchpoints, free up your Model G operator to manage other processes, and reduce the chance of workplace injuries. To learn more about the Rise Conveyor, reach out to your GreenBroz territory manager.



WARRANTY REGISTRATION



GO TO GREENBROZ.COM TO REGISTER.

Click on the product registration page to register GreenBroz products. You must register within 30 days of product receipt date to activate your warranty.

UNLESS SUBPOENAED, ALL INFORMATION OBTAINED BY GREENBROZ INC. WILL BE KEPT PRIVATE AND SECURE. GREENBROZ INC. WILL NOT SHARE OR DISTRIBUTE YOUR INFORMATION WITHOUT CONSENT.

LIMITED WARRANTY

Products covered: This limited warranty is limited to products manufactured by GreenBroz, Inc. (the "products") and provides that such product is free from defects in material and workmanship.

Length of warranty: The length of this warranty shall be 36 months from the product receipt date.

To Qualify for this warranty: The product must be purchased from GreenBroz, Inc., or a dealer authorized by GreenBroz, Inc., to sell the products. This warranty only applies to the first retail purchaser and is not transferable to subsequent owners.

What GreenBroz will repair or replace under warranty: GreenBroz, Inc. will repair or replace, at its option, any part that is proved to be defective in material or workmanship under normal use during the applicable warranty period. Warranty repairs and replacements will be made without charge for parts or labor. Anything replaced under warranty becomes the property of GreenBroz, Inc. All parts replaced under warranty will be considered as part of the original product and any warranty on those parts will expire coincidentally with the original product warranty. This limited warranty does not cover normal wear and tear including, but not limited to trim blades, brush assembly, sweeper bar, hub assembly, tabletop tray, forward-reverse switch, blade tension screw.

To obtain Warranty Service: Contact GreenBroz, Inc. for a return authorization and instructions for warranty.

Exclusions: 1. Any damage or deterioration resulting from neglect of periodic maintenance as specified in any product owner's manual or any improper repair or maintenance; 2. Neglect, unauthorized alteration, modifications, misuse, incorporation of use of unsuitable attachments or parts; 3. Damage caused by dirt, pressure or steam cleaning the product, salt water, corrosion, rust, varnish, abrasives, and moisture; or 4. Any product that has ever been declared a total loss or sold for salvage by a financial institution or insurer.; 5. Damage caused by an independent third party that is not the registered owner.

Disclaimer of Consequential Damage and Limitations of Implied Warranties: This limited warranty is in lieu of all other expressed or implied warranties, including any warranty of FITNESS FOR A PARTICULAR PURPOSE OR USE and any implied warranty of MERCHANTABILITY otherwise applicable to this product. GreenBroz, Inc. disclaims any responsibility for loss of time or use of the product, transportation, commercial loss, or any other incidental or consequential damage, including lost profits. There are no warranties extended other than as provided herein. This limited warranty may be modified only by GreenBroz, Inc.

WARNING

This machine contains moving parts.
Long hair or loose clothing can be caught
up in the moving parts. Ensure that any
loose hanging jewelry, long hair or clothing
is away from the machine.

Ensure the machine is unplugged prior to any disassembly.

**FAILURE TO COMPLY WITH THE ABOVE MAY RESULT IN
SERIOUS INJURY**

VISIT GREENBROZ HQ



• WAREHOUSE TOURS • MACHINE DEMOS • MEET OUR TEAM •

Contact us to book a tour of GreenBroz HQ in Las Vegas, home of the world's first post-harvest equipment showroom. Talk to our experts, see our machines in action, and learn how our 'Made in the USA' ethos translate into beautifully crafted, purpose-built machines.

Visit GreenBroz.com/Contact to book your tour today!

YouTube
GREENBROZ





**WE DON'T TRIM FLOWER
SO MUCH AS CRAFT THEM.**



MODEL M DRY TRIMMER

- YOU control the finish
- Trim 16+ Lbs./Hr.
- The industry's leading batch dry trimmer



RISE-N-SORT™ SYSTEM

- YOU control the sizes
- Sort 360 Lbs./Hr.
- The industry's fastest & most gentle size-sorting system



844.379.8746 | GreenBroz.com



GREEN BROZ

TRUE TO THE CROP