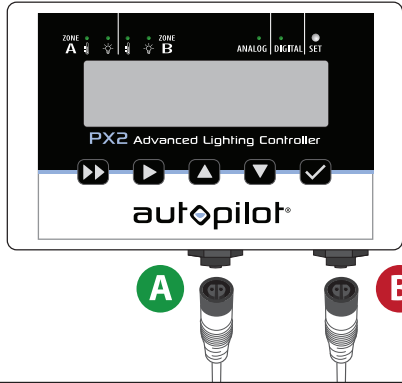


autopilot® PX2 Advanced Digital & Analog Lighting Controller (APDPX2)

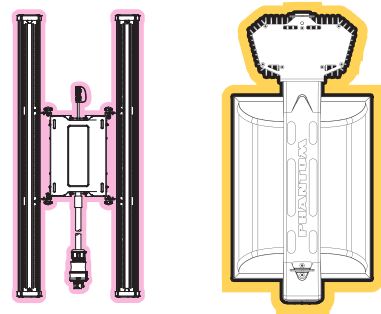


ZONE A
Controls up to 50 LED fixtures.

ZONE B
Controls up to 256 HID fixtures.

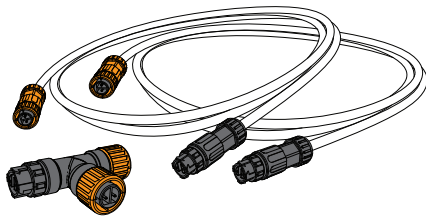
Cable Guide Checkerboard

LED + DE HPS



Fixtures are not shown to scale.

PHOTO-LOC 0-10V Cable Kit CHC882000B



- For use with PHOTOBIO X, M, T, and T Duo
- Includes 2 cables and 1 T Connector

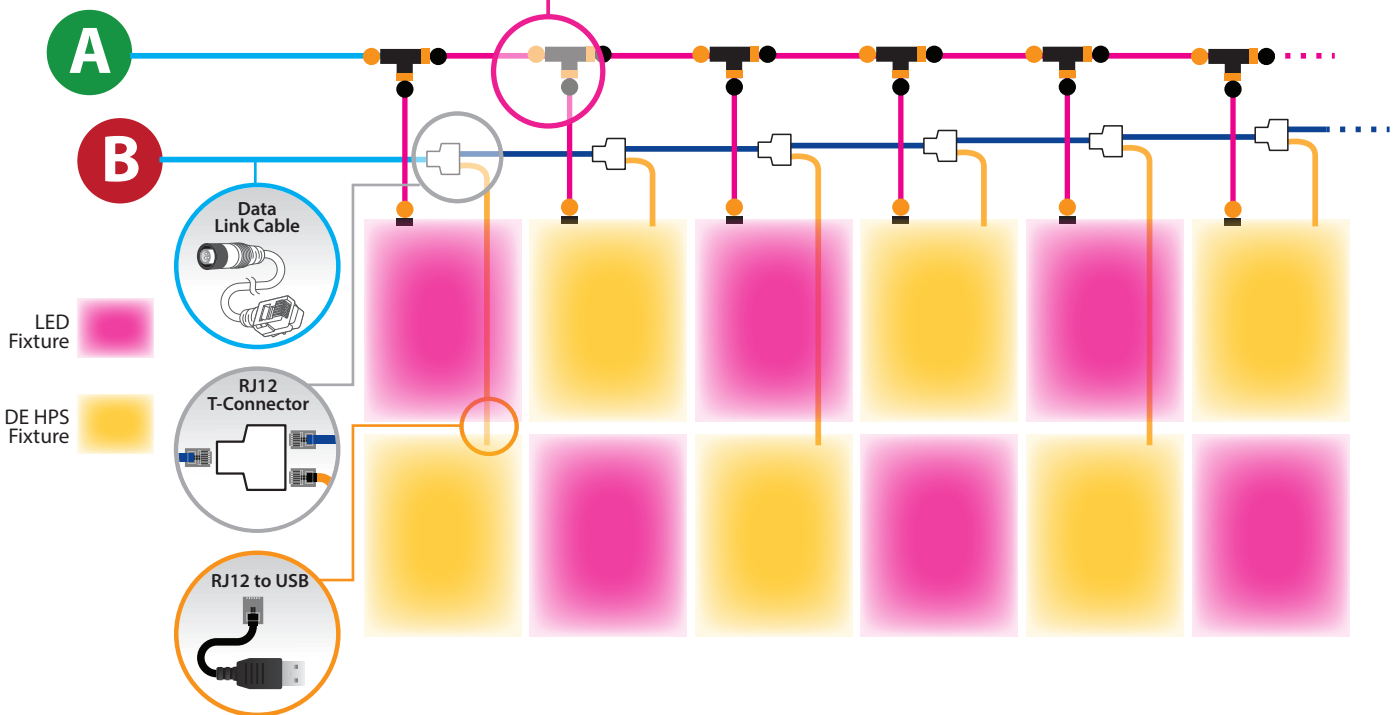
- 1 Attach **ORANGE** end of cable to the black side of the T connector.
- 2 Attach **BLACK** end of cable to the orange side of T connector.
- 3 Attach **BLACK** end of cable to the bottom orange side of the T connector.
- 4 Attach **ORANGE** end of cable to the black connector on fixture.

LEGEND: LED Fixtures

- LED Link Cable
- PHOTO-LOC Cable CHC882000B
- Female end
- Male end
- T Connector

LEGEND: HPS, MH & CMH

- Data Link Cable
- RJ12 T-Connector
- RJ12 to RJ12
- RJ12 to USB



IMPORTANT: Do not attach data link cables to AC power cable. Always keep low voltage data cables and high voltage AC power harness as far as possible from each other for stable signal transmission. Avoid coiling data cables as well as AC harnesses in tight coils. Excess cable should be managed by creating long loops as opposed to tight coils.