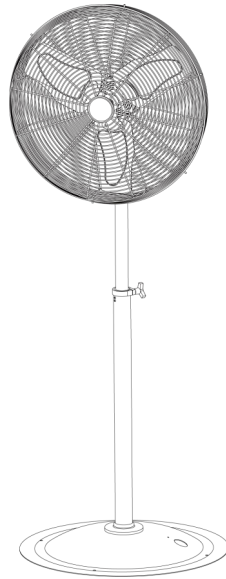


# INSTRUCTION MANUAL AND OWNERS GUIDE

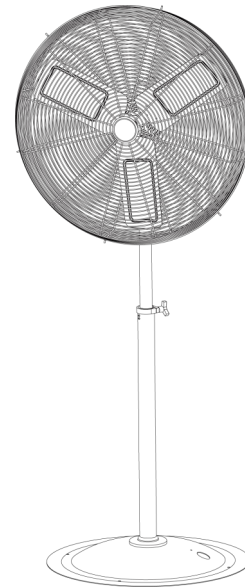


## 24/30 Inch Commercial Air Circulators

SPECIFICATIONS	
Volts	120V
Frequency	60Hz
Fan Speeds	2
Cord Length	9 ft.



**PFC-24**



**PFC-30**

## DO NOT RETURN TO STORE

If you experience any difficulties installing or operating this product.  
Call us Toll Free at: 1-800-603-5464 Ext 111 / 7:00am to 3:30pm PST Mon-Fri  
Support at [king-electric.com](http://king-electric.com) or email us at [info@king-electric.com](mailto:info@king-electric.com)



## WARNING



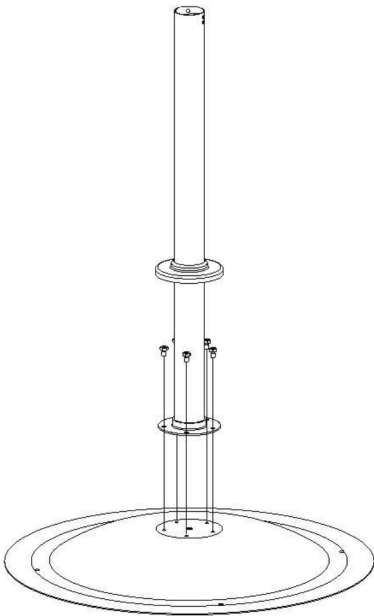
**READ CAREFULLY** - Use the fan only as described in this manual. Any other use is not recommended and could result in fire, electric shock, and personal injury. Following these instructions will prevent difficulties that might occur during the installation and use of the fan. Please study the instructions first, as they may save considerable time and trouble during use addition to providing important safety information. Make sure to save these instructions for future use.

- WARNING**
1. Read and save these instructions. Do not operate fan unless you have read these instructions.
  2. Unplug the fan before moving it or performing maintenance. Do not touch the fan when your hands are wet.
  3. Those who are not qualified electricians should not disassemble, repair or rebuild the fan.
  4. Unplug the fan when it is not in use.
  5. DO NOT unplug the fan by pulling the cable cord. Unplug by holding the plug and pulling.
  6. DO NOT use the fan when there is damage to the cable cord or plug. If the supply cord is damaged, it has to be replaced by the manufacturer, its service agent or similarly qualified persons.
  7. DO NOT use the fan with extension cord.
  8. DO NOT use the fan close to fires.
  9. DO NOT insert your hand or other objects into the grille or the movable parts.
  10. To reduce the risk of fire or electric shock, do not use this fan with any solid-state speed control device.
  11. DO NOT use this fan outdoors, this fan is designed for indoor use only.

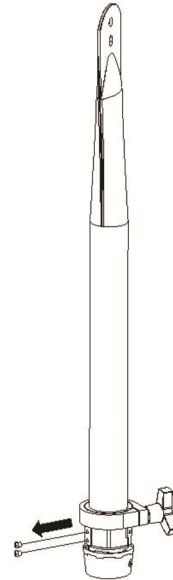
- CAUTION**
1. Unplug the fan from the socket and clean it with a soft cloth.
  2. DO NOT immerse the fan.
  3. Fit the guard onto fan before starting up the fan.
  4. This fan is not intended for use by people (including children) with reduced physical, sensory or mental capabilities or lack of experience and knowledge unless they have been given supervision or instruction concerning use of the fan by a person responsible for their safety.

# ASSEMBLY INSTRUCTIONS

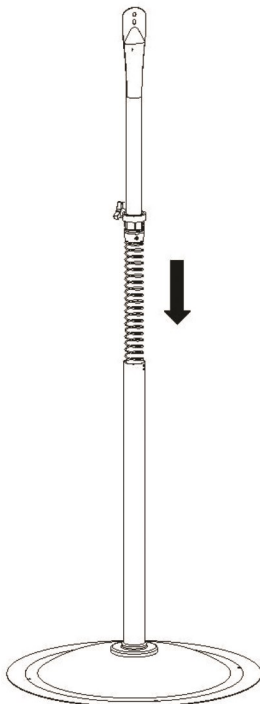
- 1.** Remove the five bolts from the base.  
Place the lower stand pole on the base and fasten with the five bolts.



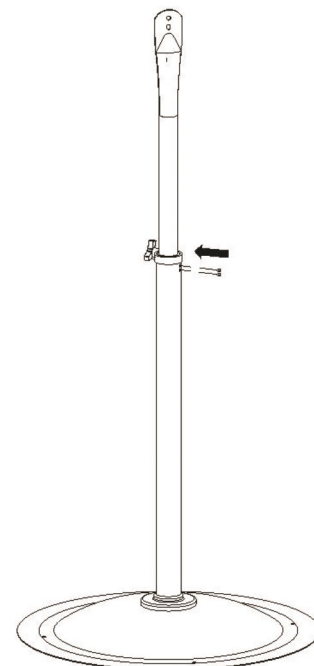
- 2.** Remove the two screws from the end cap.  
Retain for future use.



- 3.** Place the upper stand pole onto the spring and press down into the lower stand pole.

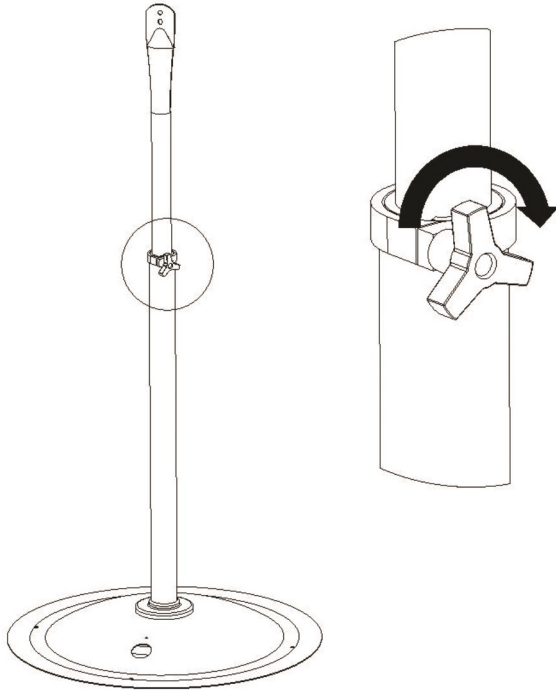


- 4.** Align the two screw holes of the end cap and stand pole. Secure the end cap with the two end cap screws.

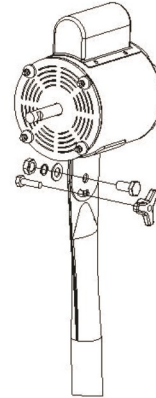


# ASSEMBLY INSTRUCTIONS

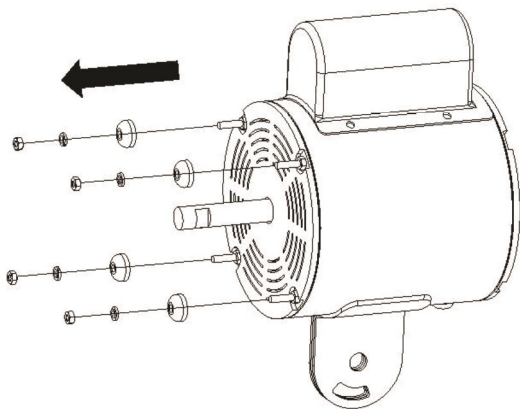
- 5.** Insert the set knob and tighten.



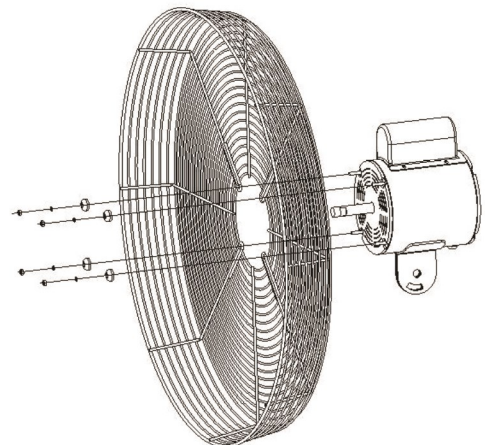
- 6.** Slide the motor bracket over the tapered end of the upper stand pole and fasten it by using the screws, washers and hex nut provided. This will be used to adjust the tilt angle of the fan head.



- 7.** Remove the four sets of hex nuts, spring washers and bowl washers from the motor. Retain for future use.

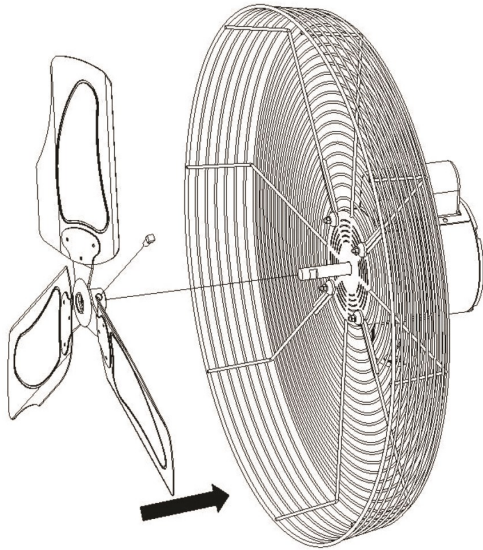


- 8.** Set the rear guard in the proper position and affix it to the motor using the hex nuts, spring washers and bowl washers.

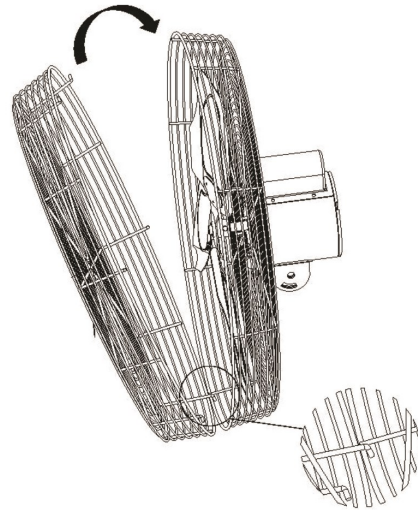


# ASSEMBLY INSTRUCTIONS

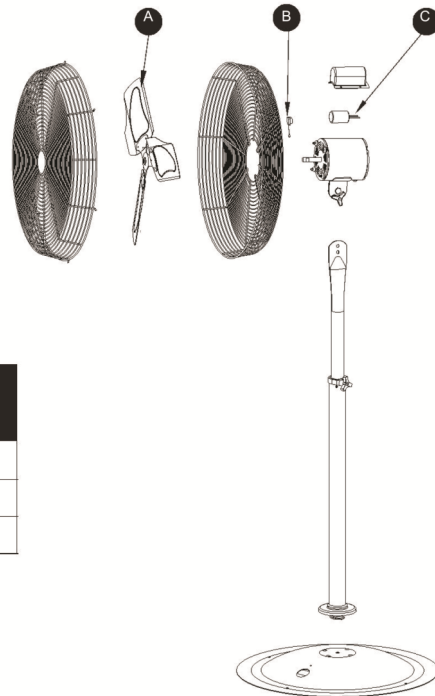
- 9.** Assemble the fan blade onto the motor shaft by tightening the one screw. Make sure the screws are tightly secured.



- 10.** Place front guard on rear guard with decal facing away from the blade. Position guard hooks between ribs of rear guards. Use a large screw driver to pry guard hooks into place. When assembled, the guard hooks should be located between the largest, outermost ring. Make sure that all hooks are engaged before operating fan.



## PARTS LIST



PART	DESCRIPTION	PART # FOR MODELS:	
		SFSI3-750/60Y	SFSI3-750Y
A	Blade	SFSI3-750/60Y-01	SFSI3-750Y-01
B	Pull chain switch	SFSI3-750/60Y-02	SFSI3-750Y-02
C	Capacitor	SFSI3-750/60Y-03	SFSI3-750Y-03

# OPERATION INSTRUCTIONS

1. Place the fan on a safe, flat surface where it can not fall or be pulled on by the cord.
2. Fans are operated, or speeds are selected using pull chain switch located at the back of motor.

# CARE AND MAINTENANCE

Unplug the appliance before cleaning. Don't use any water for cleaning metal surfaces. Slightly moisten a cloth and then wipe off the surfaces of the fan. In order to remove dust from the grill, use a vacuum cleaner or remove the front grill by removing the securing screws on the edge of the grill. After cleaning, remount the grill. After doing this, fasten the screws on the edge of the grill.

# 1-YEAR LIMITED WARRANTY

The manufacturer warrants this product to be free from manufacturing defects in the material and workmanship under normal use for a period of one year after the date of purchase by the original purchaser. This warranty does not cover transit damages. This warranty does not apply to damages from accident, misuse, alteration of any kind to the fan or where the connected voltage is more than above the nameplate voltage. This warranty does not apply to the finish on any portion of the product. Servicing performed by unauthorized persons shall render the warranty invalid. The warranty is not responsible for damages of any kind, including accident and consequential damages. Some states do not allow the exclusion or limitation of the incidental or consequential damages, so the above exclusion or limitation may not apply to you. This warranty gives you specific legal rights, and you may also have other rights which vary from state to state.