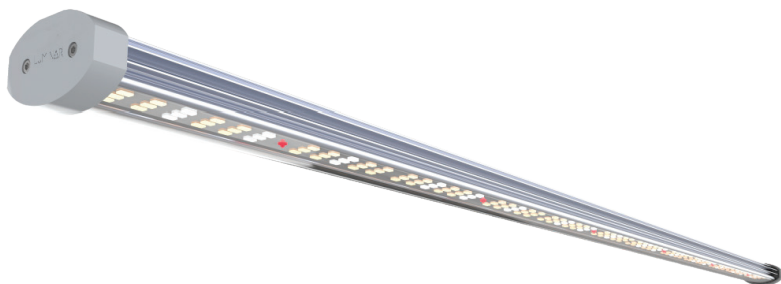




iLBAR
LED Lighting Solutions



USER MANUAL

iL23 50W

iL47 85W

iL63 130W



Intertek



IL-2325FSG-120

IL-4725FSG-120

IL-6325FSG-120

1-877-540-5588

iluminarlighting.com

sales@iluminarlighting.com



CONTENTS

Pre-Install Information	2
Technical & Physical Specifications.....	3
Hardware & Accessories	4
Hanging Instructions	5
Mounting Instructions	7
Important Cautions & Warranty	8

Please read this manual thoroughly prior to installing or operating the ILUMINAR iLBAR.

- Observe all safety precautions (see page 8), seek the services of a qualified electrician, installation professional, or call ILUMINAR Lighting technicians for assistance.
- DO NOT handle or touch the fixture while in use.
- Connect the fixture only to the power sources of the appropriate voltage using the correct AC plug type. Protect power cables from being pinched, walked on, or otherwise damaged. Be especially careful where the power cable enters the power outlet to the unit. Only connect the fixture to an electrical outlet or extension cord of comparable standard and level rating. Connect the fixture ONLY to the power sources of the correct voltage using the plug received.
- The fixture should only be cleaned as directed. Always seek service for your system by qualified service personnel if any of the following occur:
 - The fixture shows a noticeable change in performance.
 - The power-supply cord or plug is damaged.
 - The fixture has been dropped, or the exterior is damaged.



iLBAR

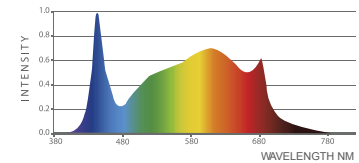
iL23 / iL47 / iL63 MODELS

MODEL: 2.5	VOLTAGE: 120-277V	3
WATTS: 50W	SKU: IL-2325FSG-120	
85W	IL-4725FSG-120	
130W	IL-6325FSG-120	



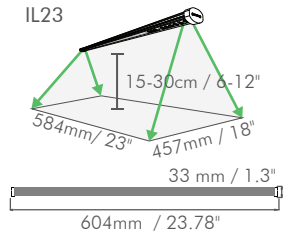
TECHNICAL SPECS	iL23	iL47	iL63
PPF	125 μmol/s	212.5 μmol/s	325 μmol/s
Input Current	0.67A	1.15A	1.8A
Input Power	50W	85W	130W
Output Power	44W	76W	118.8W
BTU	170	289	442
Output Voltage	66		
Efficacy	2.5 μmol/J		
Rated Mains Voltage	120-277V AC		
Voltage Range	100-277V (+/-10%)		
Finishing Height	> 18" to top of Canopy		
Emitter Cooling	Passive / Extruded Case		
Waterproof Rating	IP65 for Damp/Wet Conditions		
LED Lifespan (90%)	55,000+ hours		
Ambient Temperature	-20..+45°C		
Max. Temperature	75°C/167°F		
Color Temperature	4000k		
Relative Humidity	98%		
Main Frequency	50 / 60Hz		
Dimmable	1-10V Controllable		
THD	< 20%		
Color Rendering Index	88		
Min. Power Factor	0.9		
Crest Factor	0.99		
Plug Type	Power Cord Sold Separately		

ILBAR LED SPECTRUM

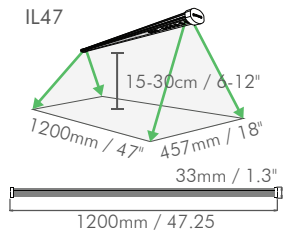


MOUNTING & COVERAGE

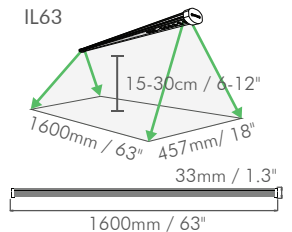
IL23



IL47



IL63



VOLTAGE AND AMPERAGE

	iL23		iL47		iL63	
120V	0.43A	51W	0.73A	86W	1.09A	129W
208V	0.25A	50W	0.42A	85W	0.64A	129W
240V	0.23A	50W	0.38A	85W	0.59A	130W
277V	0.2A	52W	0.34A	87W	0.51A	132W

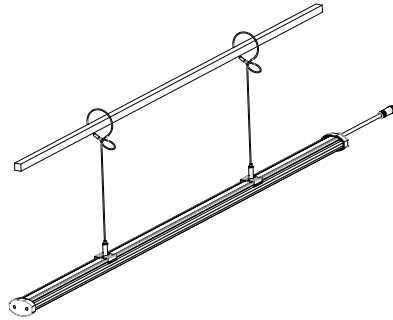
PHYSICAL SPECS

	iL23	iL47	iL63
Length	604mm / 23.78"	1200mm / 47.25"	1600mm / 63"
Width	53.6mm / 2.12"	53.6mm / 2.12"	53.6mm / 2.12"
Height	33mm / 1.3"	33mm / 1.3"	33mm / 1.3"
Weight	9.8kg/21.61lbs	12.8kg/28.22lbs	16.5kg/36.38lbs

HARDWARE AND ACCESSORIES

The iLBAR LED fixture can be hung from steel cables or can be mounted to a rack.

Before you begin installation, check that you have all the necessary parts to begin.



IN THE BOX



1 iLBAR Fixture



2 Metal Clips for Hanging Cables



2 Screws for Clips & Hanging Cables



2 Steel Hanging Cables with Cylindrical Lock



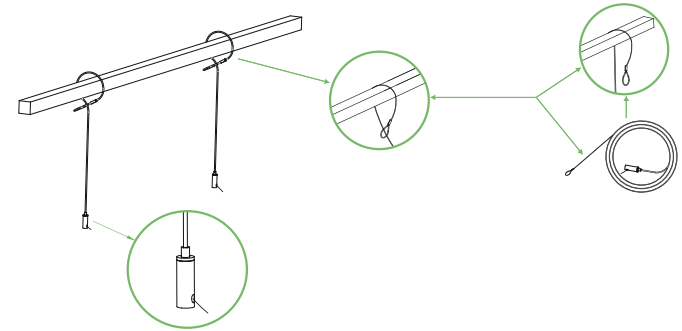
2 Screws & 2 Anchors

HANGING INSTALLATION

5

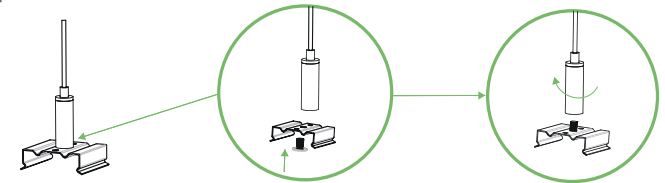
1

Loop the steel cables over the beam, feeding the wire through its loop and letting the cylindrical lock hang.



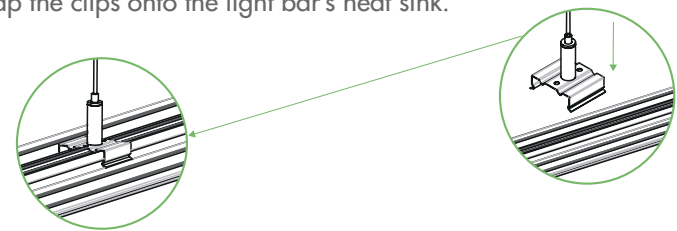
2

Using the provided screw, attach the clip to the steel cable's cylindrical lock.



3

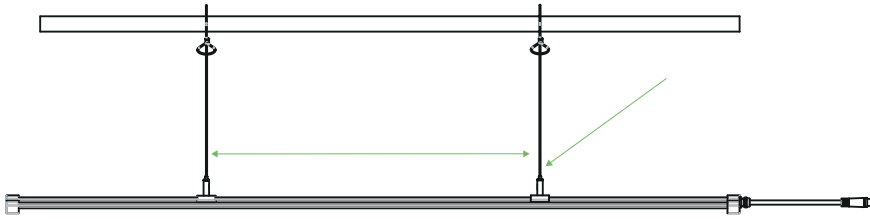
Snap the clips onto the light bar's heat sink.



(see next page...)

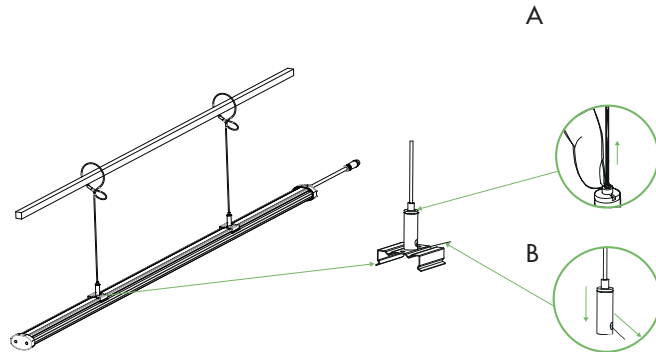
4

Adjust the spacing of the clips as needed.



5

Pull the steel cable down through the cylindrical lock to adjust the fixture height.

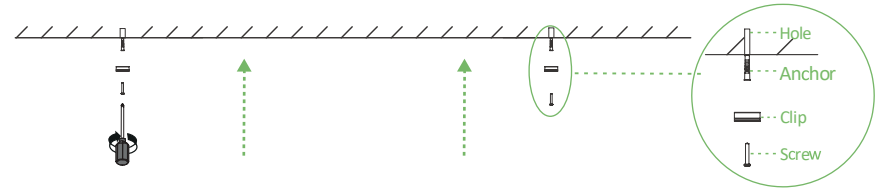


To shorten cable: Press the cable down through the cylindrical lock. (Figure A)
 To extend cable: Press metal top down and pull up on cable. (Figure B)

MOUNTING INSTRUCTIONS

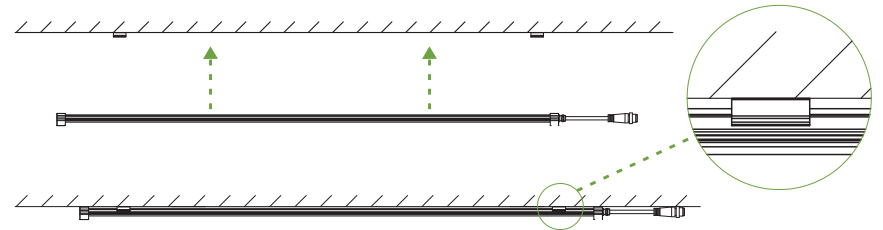
1

Drill 4 holes into an overhead structure or rack. Insert the provided mounting anchors into the holes and screw the metal clips directly into the anchors.



2

Snap the bar into the clips.



CAUTION

Please read the following list carefully prior to beginning installation.

1. Leave at least one inch of space between the fixture and the mounting area for maximum performance and lifespan.
2. ALWAYS wear protective eye wear when looking directly at the diodes to prevent eye damage.
3. The LED array should NEVER come in contact with sharp objects.
4. Do not touch or apply force to the diodes - this will cause permanent damage.
5. Only handle, clean or move fixture when it's unplugged and completely cool.
6. Keep the fixture free of dust, debris, deposits to ensure the maximum potential of the fixture.
7. NEVER use cloth to clean the diodes. This will scratch the diodes and could potentially break or dislodge them.
8. DO NOT use chemicals to clean the fixture. Use ONLY low pressure air or low pressure water to remove dust and debris.

5 YEAR
WARRANTY

GUARANTEE

At ILUMINAR, we stand behind our products and our technology as well as our customers. All ILUMINAR LED fixtures are backed by our 5-Year Guarantee. Please visit our website iluminarlighting.com/warranty for more information.