



USER MANUAL

iL1c MODEL 330W



CONTENTS

Pre-Install Information	2
Technical & Physical Specifications.....	3
Hardware & Accessories	4
Hanging Instructions	5
Mounting Instructions	7
Important Cautions & Warranty	8

Please read this manual thoroughly prior to installing or operating the ILUMINAR iL1.

- Observe all safety precautions (see page 8), seek the services of a qualified electrician, installation professional, or call ILUMINAR Lighting technicians for assistance.
- DO NOT handle or touch the fixture while in use.
- Connect the fixture only to the power sources of the appropriate voltage using the correct AC plug type. Protect power cables from being pinched, walked on, or otherwise damaged. Be especially careful where the power cable enters the power outlet to the unit. Only connect the fixture to an electrical outlet or extension cord of comparable standard and level rating. Connect the fixture ONLY to the power sources of the correct voltage using the plug received.
- The fixture should only be cleaned as directed. Always seek service for your system by qualified service personnel if any of the following occur:
 1. The fixture shows a noticeable change in performance.
 2. The power-supply cord or plug is damaged.
 3. The fixture has been dropped, or the exterior is damaged.



iL1c

LED Lighting Solution

TECHNICAL SPECIFICATIONS

PPF	858 $\mu\text{mol/s}$
Efficacy	2.6 $\mu\text{mol/J}$
Input Current	9.20A
Output Power	303.6W
Output Voltage	33
Min Power Factor	>0.9
THD	<20%
Crest Factor	0.99
Heat Output (BTU/h)	1122
Rated Mains Voltage	120-277V AC
Voltage Range (+/-10%)	100-277V
Mains Frequency	50 / 60Hz
Dimmable	0-10V Controllable
Ambient Temperature	-20.. +45°C
Max. Temperature	75°C/167°F
Relative Humidity	98%
Plug Type	Power Cord Sold Separately
Color Temperature	4000K
Color Rendering Index	88
Finishing Mounting Height	18-48" to top of Canopy
Emitter Cooling	Passive Thermal Management
Light Distribution +/- 5%	125°
Waterproof Rating	iP65 for Damp/Wet Conditions
LED Lifespan (90% of Life)	54,000+ hours

VOLTAGE AND AMPERAGE

120V	2.85A	341W
208V	1.63A	335W
240V	1.41A	332W
277V	1.22A	330W
347V	0.99A	340W
480V	0.71A	331W

PHYSICAL SPECIFICATIONS

Length	1000mm	39.38"
Width	129mm	5.1"
Height	200mm	7.9"
Weight	8.3kg	18.3lbs

VOLTAGE: 100-277V

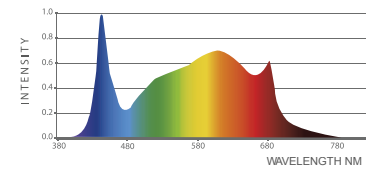
MODEL: 2.6 WATTS: 330W

SKU: IL-A133026-FSG-120

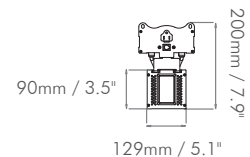
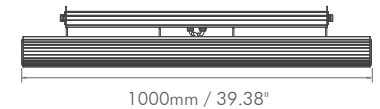
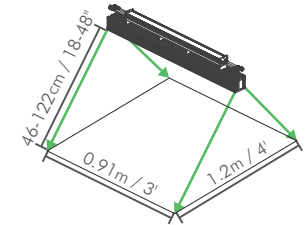
3



iL1c 330W LED SPECTRUM



MOUNTING & COVERAGE



Toll Free: 1-877-540-5588



iluminarlighting.com

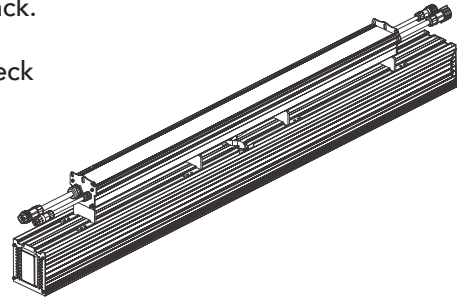


© Copyright 2020 ILUMINAR Lighting
Subject to change without notice.

HARDWARE AND ACCESSORIES

The iL1c can be hung from steel cables or can be mounted to a rack.

Before you begin installation, check that you have all the necessary parts to begin.



IN THE BOX



1 iL1c Fixture



2 Power Supply



3 Male DE Connector Cord

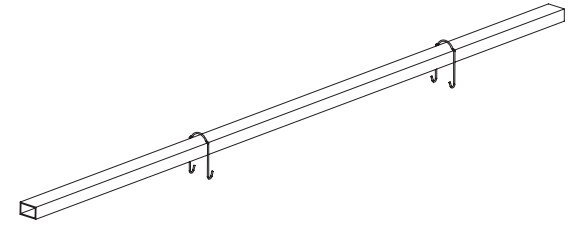


4 Controller Adaptor Cord

HANGING INSTALLATION

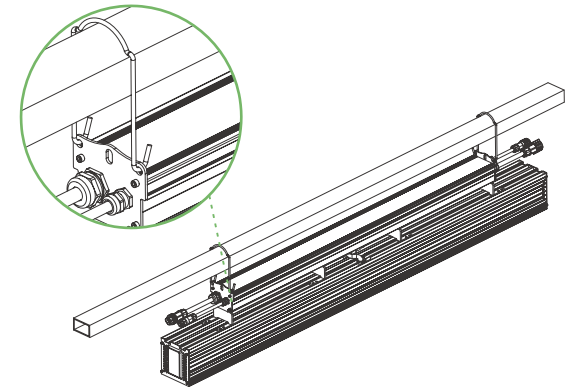
1

Set the hooks on the beam.



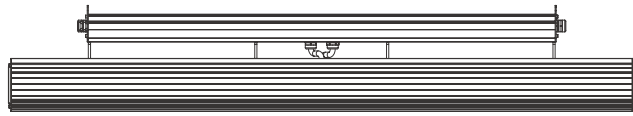
2

Hang the light into hooks.

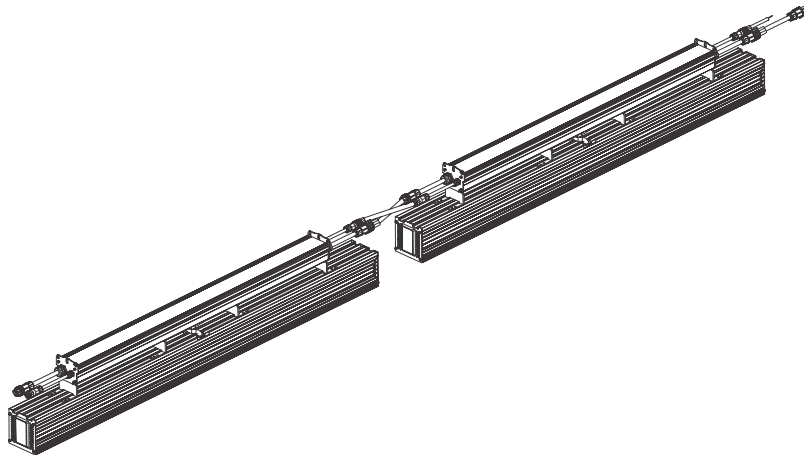


CONNECTION INSTRUCTIONS

1 Loop hanging wire as shown and attach to beam.

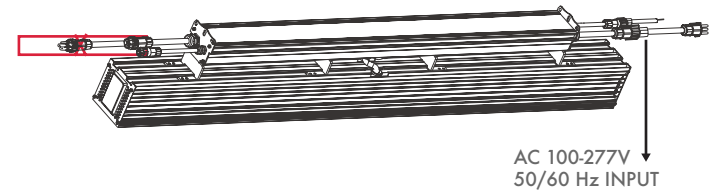


2 Gently tighten the plastic screw to secure the other side of the hanging wire.



CONNECTIONS

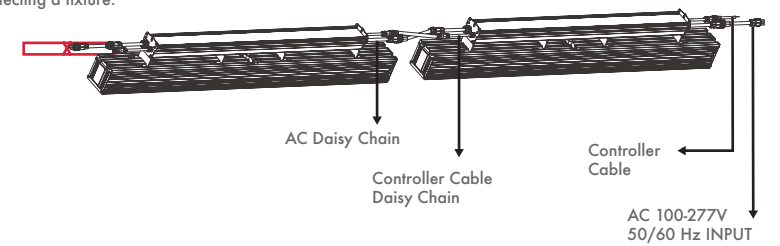
1 Once fixture is hanging with all LED bars installed, connect the power cable (blue tip) from the wall to one side of the fixture. DO NOT EVER connect two power cables from the wall to the fixture.



! NEVER attach two AC input plugs. Safely install only one AC Power Cable.

2 DAISY CHAIN - If you're planning to utilize several LEDs in your room or facility, one of the many benefits of the ILUMINAR LED grow lights is that you can "daisy chain" one fixture to another to save space and use only one outlet to run several lamps thus minimizing the amount of cords used in your space.

! Do not attach two AC input plugs, when connecting a fixture.



2 If you plan to utilize the TOUCH Controller or ILUMINAR HASH Controller, you can connect the yellow connections from the controller to the fixture and then connect the Daisy Chain Controller Cable from fixture to fixture. Please consult with our lighting layout designers to ensure proper spacing of outlets for your unique setup.

CAUTION

Please read the following list carefully prior to beginning installation.

1. Leave at least one inch of space between the fixture and the mounting area for maximum performance and lifespan.
2. ALWAYS wear protective eyewear when looking directly at the diodes to prevent eye damage.
3. Only handle, clean or move fixture when it's unplugged and completely cool.
4. Keep the fixture free of dust, debris, deposits to ensure the maximum potential of the fixture.
5. NEVER use cloth to clean the diodes. This will scratch the diodes and could potentially break or dislodge them.
6. DO NOT use chemicals to clean the fixture. Use ONLY low pressure air or low pressure water to remove dust and debris.

5 YEAR
WARRANTY

GUARANTEE

At ILUMINAR, we stand behind our products and our technology as well as our customers. All ILUMINAR fixtures are backed by our 5-Year Guarantee. Please visit our website iluminarlighting.com/warranty for more information.