

WARNING: Only use to grass or soft ground of being similar to Rugby court and Football Field, moreover must install the plastic nails to make sure the base is fixed on the ground during. To ensure the product stability.

WARNING: To reduce the risk of fire or electrical shock, do not expose to water or rain.

OPERATING INSTRUCTIONS

TO ADJUST AIRFLOW UPWARD OR DOWNWARD:

Loosen the position screw first and then loosen the pivot bolt. Tilt motor to the desired angle then firmly tighten the pivot bolt first and then tighten the position screw.

SETTING OSCILLATING MODE:

● To oscillate the fan: Loosen the screw on the oscillation rod and move to the end of the oscillation cam. Tighten the screw to lock the position. (See Figure 1)

● To stop the oscillation: Loosen the screw on the oscillation rod and move to the center of the oscillation cam. Tighten the screw again to lock the position. (See Figure 2)

CAUTION : Disconnect from mains before changing the setting.

SPEED CONTROL: Select air speed by setting switch to either high-low-off.

CLEANING

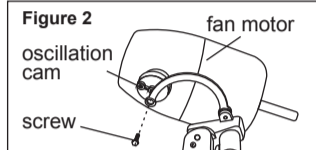
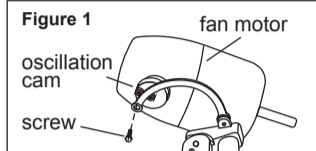
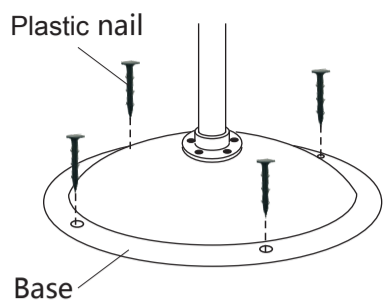
WARNING: Unplug from electrical supply source before cleaning.

1. Use soft damp cloth then wipe with dry cloth.
2. Do not use harmful cleaners to paints or plastics.
3. Do not bend the blades.

IMPORTANT: Surges in electrical power or excessive heat may cause the fan to turn off. Wait approximately 15 minutes for the fan to resume operation.

RATING

FO-65S1fOL(2H): 120V~ 60Hz 1.5A
FO-75S1fOL(2H): 120V~ 60Hz 1.8A



PEDESTAL FAN

OWNER'S MANUAL

FO-75S1fOL(2H)
FO-65S1fOL(2H)



Please read the instructions carefully before use

READ AND SAVE THESE INSTRUCTIONS

CAUTION: Read and follow all instructions before operating fan.

Do not use fan if any part is damaged or missing.

WARNING:

- To reduce the risk of fire or electrical shock, do not expose to water or rain.
- To reduce the risk of fire or electrical shock, do not use this fan with any solid state speed control device.
- Automatically operated device - To reduce the risk of injury, disconnect from power supply before servicing.
- If the power supply cord is damaged, contact your local service center or a qualified electrician to install an appropriate replacement cord to prevent any injury or damage.
- The appliance does not apply to be used in locations where special conditions prevail, such as the presence of a corrosive or explosive atmosphere (dust, vapour or gas).
- This appliance is not intended for use by persons (including children) with reduced physical, sensory or mental capabilities, or lack of experience and knowledge, unless they have been given supervision or instruction concerning use of the appliance by a person responsible for their safety.
- Children should be supervised to ensure that they do not play with the appliance.

RULES FOR SAFE OPERATION:

1. Never insert fingers or any other objects through the grill guard when fan is in operation.
2. Disconnect the fan from its power source when moving from one location to another.
3. Disconnect the fan from its power source when removing guards for cleaning.
4. Be sure fan is on a stable, flat surface when in operation.
5. Do not use fan in windows. Rain and moisture may create electrical hazard.
6. Close supervision is necessary when this fan is used near children, the elderly and pets.
7. Do not place the fan near an open flame, cooking or heating appliance, or hot surface.
8. This fan should not be operated outside.

CAUTION: Do not alter the fan's assembly.

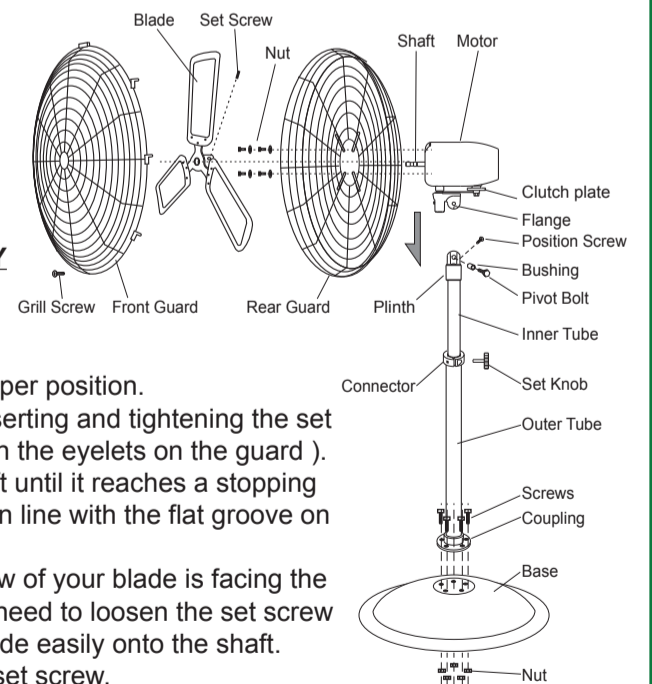
WARNING: Be sure that both front and rear guard screws are completely tightened in locking position before operation.

COLUMN ASSEMBLY INSTRUCTIONS:

1. Attach coupling to the base with the screws as shown.
2. Loosen set screw on the outer tube coupling and extend inner tube to desired height tighten.
3. CAUTION: Set screw must be fully tightened before assembling the motor to the inner tube.

COLUMN / MOTOR ASSEMBLY INSTRUCTION:

1. Align motor flange and column.
2. Insert the pivot bolt through the motor flange, column and washer, tighten firmly.
3. Insert smaller position screw through bottom radius, attach with washer, tighten firmly.



GRILL / MOTOR ASSEMBLY INSTRUCTIONS:

1. Unscrew the set screws from the motor.
 2. Set the rear guard in its proper position.
 3. Attach the rear guard by inserting and tightening the set screw to the motor (through the eyelets on the guard).
 4. Insert the blade on the shaft until it reaches a stopping point and the set screw is in line with the flat groove on the shaft.
- NOTE: Be sure the set screw of your blade is facing the motor of your fan. you may need to loosen the set screw at the rear of the blade to slide easily onto the shaft.
5. Securely tighten the blade set screw.
 6. Turn the clips on the front guard outward.
 7. Mount the front guard with the groove at the guard's top sliding into its proper position (the nameplate in its proper direction).
 8. Fastened and lightly tighten grille screws and washers on front guard and into back guard.
 9. Press both front guard and back guard together.
 10. Push front guard's clips downward into a locking.
 11. Completely tighten grill screws washers on front guard and into back guard.