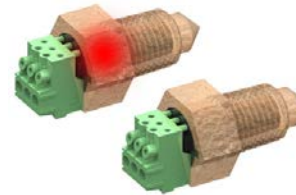


FILL CONTROL | HIGH-LOW SENSING

Electronic optical "liquid level control system" includes two liquid sensors for high and low fill control of water with a RX1 outlet relay. Simply install the sensors and wire the kit according to the instructions below. The system automatically fills the tank by turning on the outlet; no other control system is required.

How It Works

The low-level sensor turns on a outlet until the high-level sensor is reached.



Made in USA



Installation

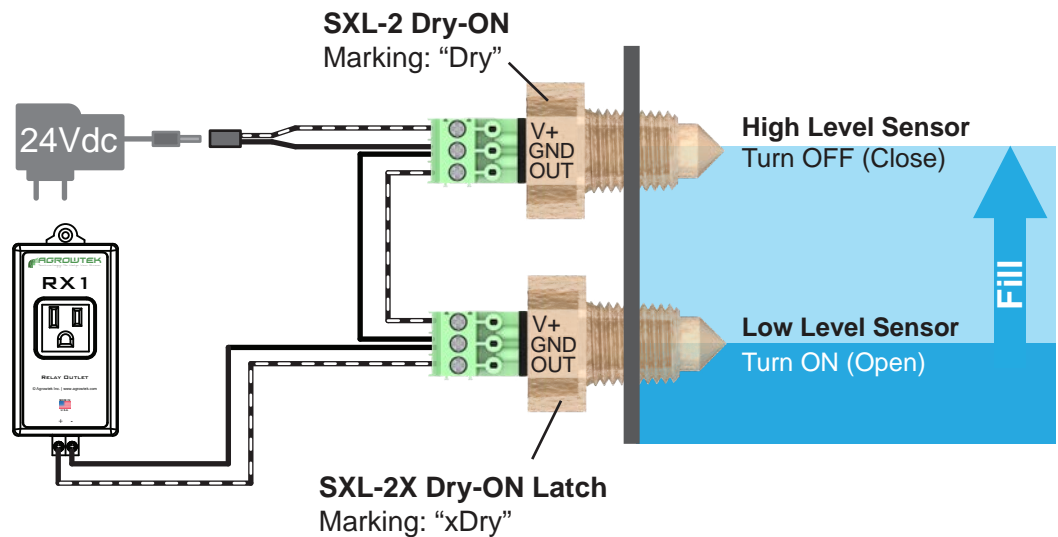
1. Mark the tank wall at the desired high and low points.
2. Thick-Wall: Drill 7/16" holes and tap with a 1/4 NPT tap. Thread sensors into holes.
Thin-Wall: (3/16" & under): Drill a 17/32" hole, place o-ring on sensor & nut inside tank.
3. Tighten sensor and check for leaks. *Use teflon tape with tapped holes.*
4. Make electrical connections according to the diagrams below.

WARNING: DO NOT USE these products as safety or emergency stop devices or in any other application where failure of the product could result in personal injury. Failure to comply with these instructions could result in death or serious injury.

Wiring Diagram

NOTES:

1. Check sensor type marking through hex head.
2. Use o-ring & nut in thin, flat-wall tanks. Locate o-ring between sensor hex head and outside tank wall.
3. Customer must provide two-conductor wire cable (minimum 22AWG) to connect valve to sensors.



Sensor/LED Status

Status	Full	Mid-Level	Low	Filling
High Sensor	Sensor OFF, LED Flash/10sec	Sensor ON, LED ON	Sensor ON, LED ON	Sensor ON, LED ON
Low Sensor	Sensor OFF, LED OFF	Sensor OFF, LED Flash/10sec	Sensor ON, LED ON	Sensor ON, LED ON FlashOFF/10sec

Specifications

Voltage Input:	5-24Vdc
Output Current:	Max 1A (sourcing)
Current Consumption:	20mA per sensor
Mounting Thread:	1/4" NPT
Hex Size:	3/4" (19mm)
Body Material:	Polysulphone
Temperature Range:	-20 to 80°C (non-freezing)
Wire Gauge:	26 - 16 AWG

See SXL and RX1 manuals or contact Agrowtek Inc. for warranty terms and conditions.

Kits

- SXLF** - High & Low FILL Sensor Kit
- VX1-K** - Kit with 12Vdc Power Supply
 - 1: 1" NPT valve
 - 2: 2" NPT valve
- Electric Water Valve

Individual Sensors

- SXL - 2**
 - 2: High Fill Sensor
 - 2X: Low Fill Sensor