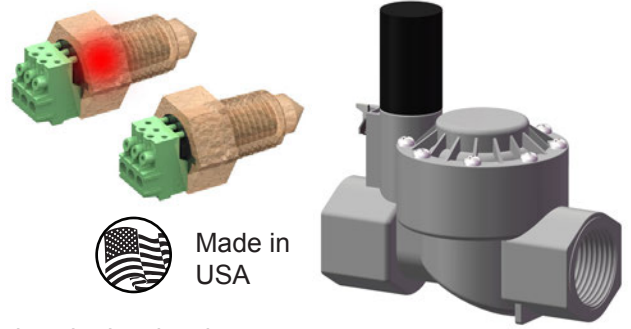


DRAIN CONTROL | HIGH - LOW SENSING

Electronic optical "liquid level control system" includes two liquid sensors for high and low drain control of water with a standard water control solenoid valve. Simply install the valve and wire the kit according to the instructions below. The system automatically drains the tank by opening and closing the valve; no other control system is required.



Made in USA

How It Works

The high-level sensor turns on the valve to operate until liquid drains below the low-level sensor.

Installation

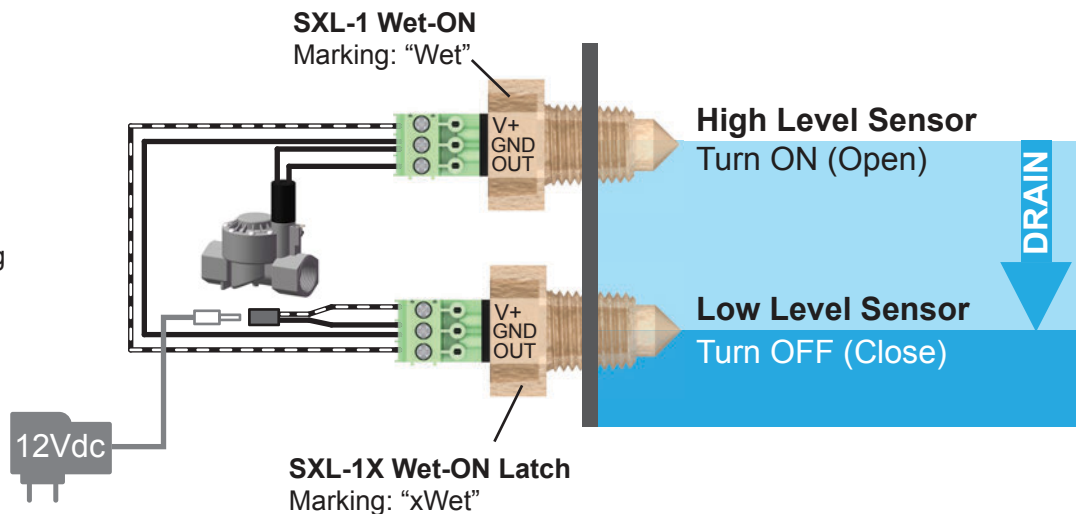
1. Mark the tank wall at the desired high and low points.
2. Thick Wall: Drill 7/16" holes and tap with a 1/4 NPT tap. Thread sensor in hole.
Thin Wall (3/16" & under): Drill a 17/32" hole, place o-ring on sensor & nut inside tank.
3. Tighten sensor and check for leaks. Use teflon tape for tapped holes.
4. Make electrical connections according to the diagrams below.

WARNING: DO NOT USE these products as safety or emergency stop devices or in any other application where failure of the product could result in personal injury. Failure to comply with these instructions could result in death or serious injury.

Wiring Diagram

NOTES:

1. Check sensor type marking through hex head.
2. Use o-ring & nut in thin, flat-wall tanks. Locate o-ring between sensor hex head and outside tank wall.
3. Customer must provide two-conductor wire cable (minimum 22AWG) to connect valve to sensors.



Sensor/LED Status

Status	Empty	Mid-Level	High	Draining
High Sensor	Sensor OFF, LED OFF	Sensor OFF, LED Flash/10sec	Sensor ON, LED ON	Sensor ON, LED ON Flash/OFF/10sec
Low Sensor	Sensor OFF, LED Flash/10sec	Sensor ON, LED ON	Sensor ON, LED ON	Sensor ON, LED ON

Specifications

Voltage Input: 5-24Vdc
 Output Current: Max 1A (sourcing)
 Current Consumption: 20mA per sensor
 Mounting Thread: 1/4" NPT
 Hex Size: 3/4" (19mm)
 Body Material: Polysulphone
 Temperature Range: -20 to 80°C (non-freezing)
 Wire Gauge: 26 - 16 AWG

See SXL and RX1 manuals or contact Agrowtek Inc. for warranty terms and conditions.

Kits

SXLD
 High & Low DRAIN Sensor Kit

VX1-K
 Kit with 12Vdc Power Supply
 1: 1" NPT valve
 2: 2" NPT valve
 Electric Water Valve

Individual Sensors

SXL - 1
 1: Low Drain Sensor
 1X: High Drain Sensor