



**AEROXPS
INSTALLATION GUIDE**

SAFETY PRECAUTIONS

PROHIBITED



- Do not use Bifarm equipment outdoors. The product is intended for indoor use only. Rain, snow, dirt and dust can damage the units.
- Do not use equipment in extreme temperatures. Freezing temperatures will cause the unit to malfunction. Only use in temperatures above 6 Degrees Celsius (43 Degrees Fahrenheit)

WARNING



- Misuse of products sold by Bifarm Tech, Inc. involves serious risks including injury, disability, and death. Purchasers assume all risks.
- To reduce the risk of electrical shock always unplug power before cleaning or performing maintenance procedures unless instructed otherwise in the instruction manual.
- Disconnect the appliance during the maintenance, assembling, and disassembling process.
- Never operate the appliance if it has damaged cords or plugs, if it is not working properly or if it has been damaged.
- Keep the appliance away from hot surfaces. Do not use the appliance for anything other than the intended purposes.
- Electrical wiring must be in accordance with local regulations.
- Do not use the appliance for anything other than Bifarm's designed purpose.
- Do not move the units during use. Disconnect the power cord, external connections, and plumbing connections unless the length of connection allows for movement.
- Keep all power cords and cables away from water

CAUTION



- Read all instructions carefully before installing, and exercise due-diligence when installing and using this product.
- The units must be installed only by a qualified person in compliance with the instructions provided. Incorrect installation may cause personal injury or damage to the product and/or property. Bifarm Tech, Inc. does not accept any responsibility for the product and/or property damage or personal injury resulting from the installation and usage of this product.
- To properly install and operate this appliance, it is important that you understand the user manual. Please read the instruction manual carefully. By following these instructions, you will be able to avoid problems in using the unit. If you have any questions, please contact us at info@bifarm.com. Do not allow anybody who is not familiar with the contents of this instruction manual to operate the unit.

BIFARM TECH, INC. WARRANTY DISCLAIMER & LIABILITY

These terms and conditions include limited warranties and disclaimers of liabilities.

Keeping, using, or allowing the use of Bifarm Tech, Inc.'s products indicates your agreement to these terms. If you do not wish to agree to these terms, DO NOT USE the products. Please contact us at info@bifarm.com.

Limited Warranty

This product is warranted against any factory defect for a period of twelve months from the date of purchase. This warranty only covers parts and does not cover shipping costs or labor. This warranty does not cover issues related to product misuse. Crop loss is not covered by this warranty. Please contact us at info@bifarm.com for more information on Bifarm Care for enhanced equipment protection.

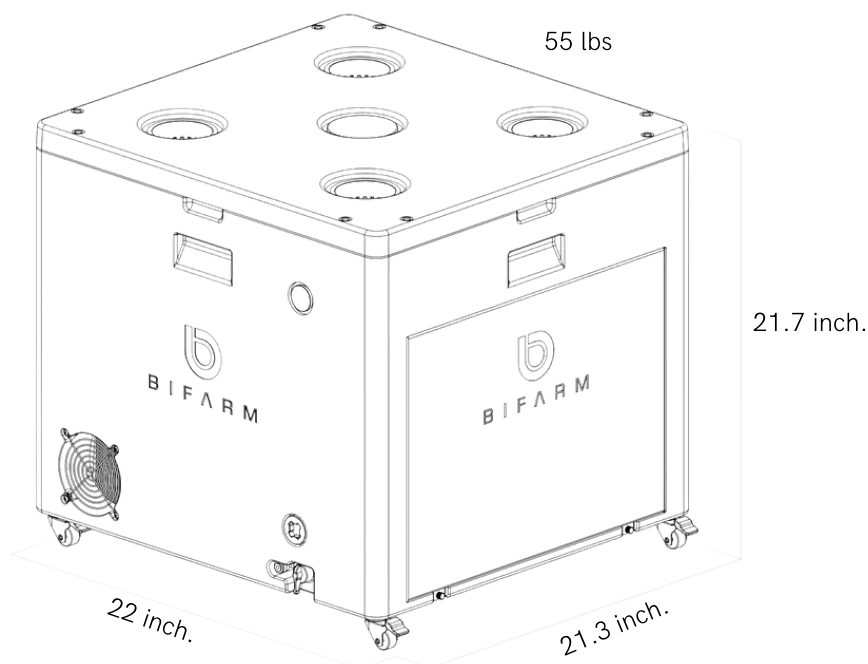
Limitation Of Liability

Bifarm Tech, Inc. liability is limited to repair or replacement of its products which are returned within 90 days from delivery. In no event shall Bifarm Tech, Inc. liability exceed the value of the product(s) sold. In no event shall Bifarm Tech, Inc. be liable for any direct, indirect, punitive, incidental, special, or consequential damages whatsoever arising out of or connected with the use or misuse of any of its products.

Inspect Before Use

This product must be inspected prior to beginning the installation to ensure it has not been damaged in shipment. If damaged, do not use it and immediately contact us at info@bifarm.com to return the product for a replacement. Be careful when opening the packaging and removing items. If a return is needed you will want to return the product in its original packaging.

PRODUCT SPECIFICATIONS



SENSORS

Nutrient pH

Measuring Range: 0-14PH

Measuring Temperature: 0-60 °C

Accuracy : ± 0.1 pH (25 °C)

Response Time : ≤ 1 min

Nutrient EC

TDS Measurement Range: 0 ~

2000ppm

TDS Measurement Accuracy: $\pm 10\%$

F.S.(25 °C)

Climate Temperature & Humidity

Temperature Range: -40°C to 80°C

Humidity Range: 0% to 100%

Accuracy: $\pm 0.5^\circ\text{C}$ and $\pm 1\%$

POWER CONSUMPTION

Controller

2 Watts

Pressure Pump

20 Watts (When activated)

Temperature Control

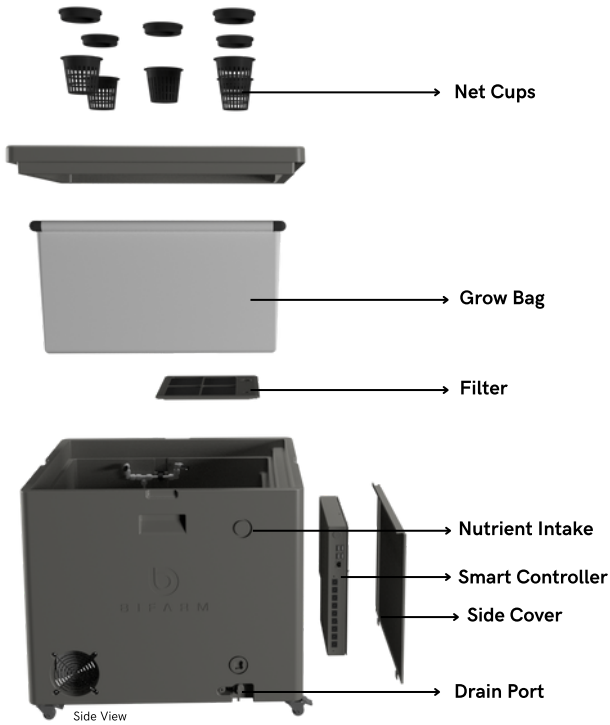
135 Watts (When activated)

POWER SUPPLY

120 VAC

60 HZ

INSTALLATION



- 1- Install wheels
- 2- Remove side cover
- 3- Plug the power cable into the AeroXPS power inlet

Sensors

- 1- Connect Climate Temperature & Humidity sensor into Smart Controller port
- 2- Insert pH sensor into Chamber Filter
- 3- Insert EC sensor into Chamber Filter

Grow Lights

- 1- Connect Aux. Cable Harness into Smart Controller
- 2- Connect the Power Switch Data Connector to cable #1 on the Aux. Cable Harness
- 3- Plug in Lights into the power switch outlet
- 4- Plug the power switch to an outlet

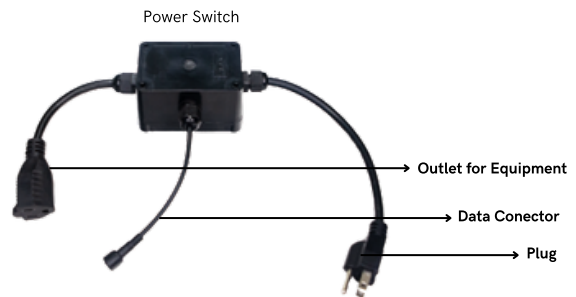
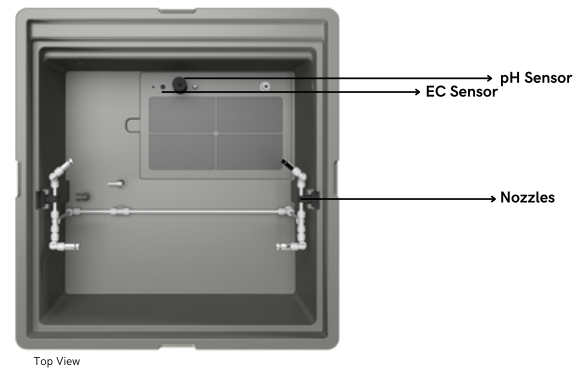
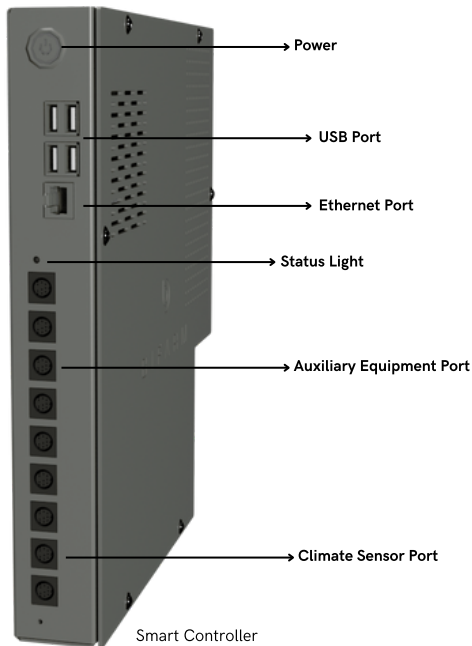
*for each additional Aux. Equipment a power switch is required

Camera

- 1- Connect camera into a USB port

Drain

- 1- Insert a 1/4 inch tube into the drain port
- 2- Open valve to drain using GrowOS



QUICK START

DOWNLOAD GrowOS PRO Mobile Application

Web application: <https://pro.growos.io>



Apple App Store



Google Play Store

GrowOS Video User Guide:

<https://bifarm.com/pages/knowledge-base>