

COMMERCIAL GRADE HUMIDIFIER

ULTRASONIC HUMIDIFIER

IDEAL FOR PORTABLE HUMIDIFICATION



#700608
#700612

#701606

USER MANUAL

This manual describes the setup and operation of the Ultrasonic Humidifier.
Before operation of your unit, please read the entire manual.

CONGRATULATIONS...

on your purchase of Ideal-Air™'s Ultrasonic Humidifier. We're proud to offer this product and believe it's the very best in its class.

READ THIS MANUAL

This manual will provide you with information on how to operate, maintain, and troubleshoot your humidifier. Following the instructions will ensure the proper function and extended lifespan of your unit.

CONTENTS

PRODUCT COMPONENT IDENTIFICATION	3
ASSEMBLY	4
PIPE LAYOUT	5
CONTROL PAD	5
SYSTEM FUNCTION	6
TECHNICAL PARAMETERS	6
ERROR CODES	6
TROUBLESHOOTING TIPS	6
MAINTENANCE	7
AFTER-SALE SERVICE	7

Pictures are for reference only, your unit may be straightly different

PRODUCT COMPONENT IDENTIFICATION

See FIG.1 and FIG.2.

FIG.3

- | | |
|-----------------------------------|---------------------------|
| 1. CONTROL PANEL | 8. PRE-SEDIMENT FILTER |
| 2. EMERGENCY SWITCH | 9. CONNECTING TUBE |
| 3. DOOR LOCK | 10. SENSOR INTERFACE |
| 4. ELECTRICAL PANEL (BEHIND DOOR) | 11. MOUNTING BRACKET |
| 5. POWER SUPPLY (115 VOLT) | 12. BRACKET MOUNTING HOLE |
| 6. WHEELS | 13. SPRAY OUTLET |
| 7. ELECTRICAL PANEL AIR INLET | 14. TANK COVER |
| | 15. FIX SCREW |

REPLACEMENT FILTER:

Unit is shipped with two pre-sediment filters.

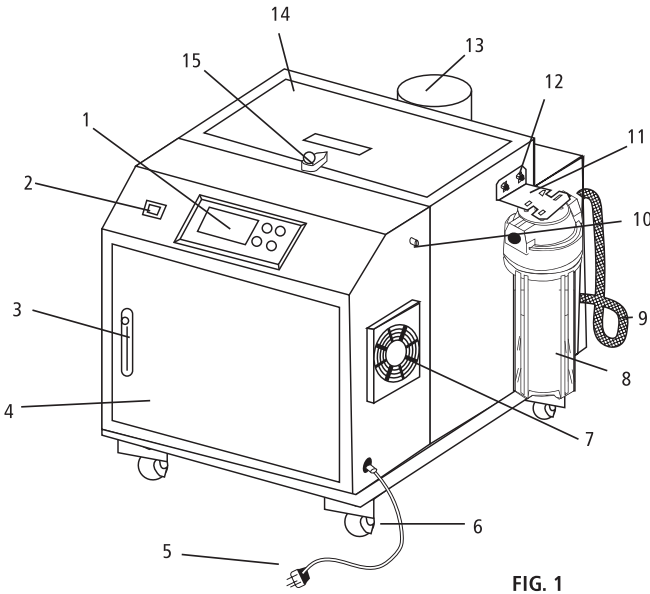


FIG. 1

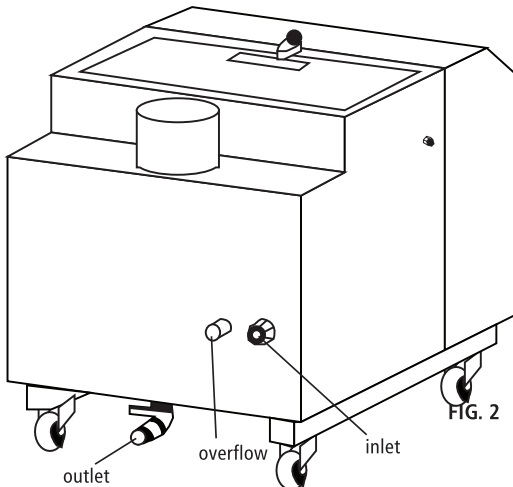


FIG. 2

ASSEMBLY

FILTER INSTALLATION

In order to keep the machine's water system running smoothly, and to prevent water impurities from flowing into the machine and blocking the solenoid valve and clogging system, be sure to install the water filter using the mounting bracket.

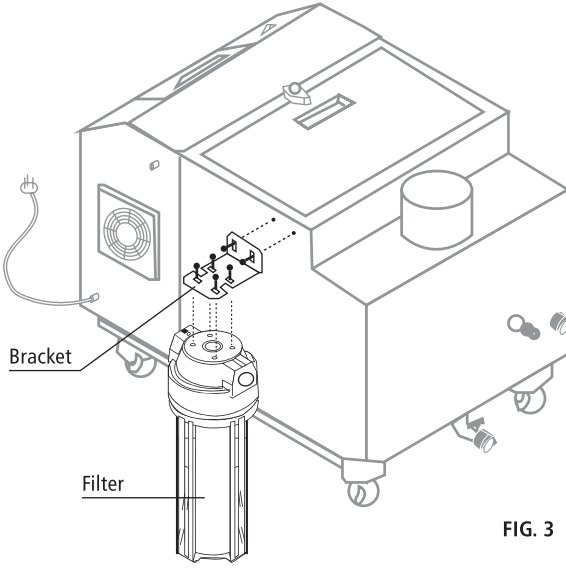


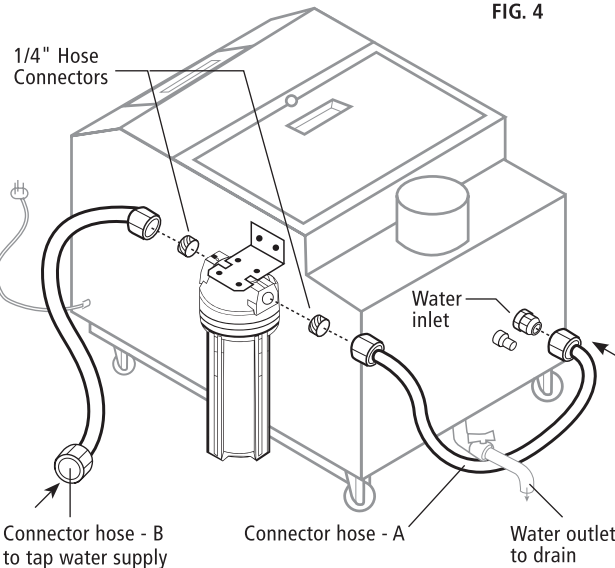
FIG. 3

1. FILTER BRACKET

- Attach bracket to the pre-drilled holes located on the side of the unit.
- Using the four supplied screws, attach the filter underneath the bracket. (see FIG. 3).

Ensure there are no impurities inside the tubing before connecting and operating the unit.

FIG. 4



2. FILTER CONNECTIONS

- Attach hose connectors onto one end of each hose.
- Connector hose - A: The end with the 1/4" hose connector now attaches to the filter. The other end is attached to the water inlet port on the unit. (see FIG. 4).
- Connector hose - B: The end with the 1/4" hose connector now attaches to the filter. The other end to your fresh water supply.

NOTE:

The height of the connector hose - A cannot be higher than the outlet.

PIPE LAYOUT

FOR OPTIMUM PERFORMANCE, INSTALL THE PIPELINE ACCORDING TO THE REQUIREMENTS IN THE OWNER'S MANUAL. SEAL ALL PIPE CONNECTIONS SO THERE IS NO AIR OR WATER LEAKS.

- To prevent water running back into the machine, the spray outlet holes must be pointing upwards at a minimum of 30 degrees.
- The diameter of the spray outlet holes must be .59".
- The distance between the spray outlet holes should be between 3.25" and 8".
- The height at the end on the pipe needs to be higher than the humidifying section, 1/8" rise per foot (see FIG. 5).
- **DO NOT** connect the water pipe with a "trap" as shown in FIG. 6.

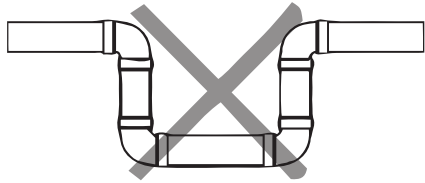
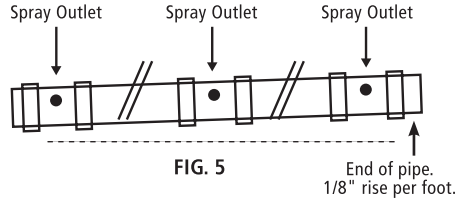


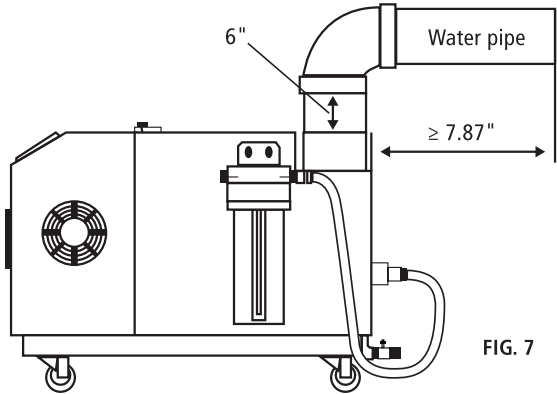
FIG. 6

NOTE:

See FIG. 7. The shortest distance from the machine to the elbow should not be less than 6" otherwise the water may run back on to the machine and effect external parts with water damage.

NOTE:

Water outlet pipe is sold separately.



CONTROL PAD

POWER SWITCH: Press "Power" to start or stop power.

HUMIDITY: Press "Set" button to adjust humidity, set through "+" or "-".

TIME: Press "Set" to set time, use "+" or "-" to set time to start or stop machine.



SYSTEM FUNCTION

HUMIDITY CONTROL: When the humidity reaches the set point, the machine will stop automatically. It will automatically start the machine when the humidity in your space rises above the set point. The humidity range is 30-90%; The machine will stop +5% of set humidity and restart below -5% of set humidity.

WATER INLET: When the water level in the water tank decreases, the float switch will activate and the water tank will refill automatically and stop filling when the water level rises to the maximum height.

LOW WATER LEVEL WARNING: When the system detects the water level is lower than the warning level, the machine will stop automatically. The system will warn if water is not refilled in 10 minutes.

FAN DELAY PROTECTION: When the humidifier is turned off the fan will continue to run for another 30 seconds to drain all the residual water and cool the unit.

TECHNICAL PARAMETERS

Model	Power Supply	Power (Watts)	Spray Capacity (pints per hour)	Control Manner	Spray Outlet Diameter (inches)	Size (inches)	N.W. (lbs)
701606	110V/60Hz	300W	6.25	Auto	4.33 Single Outlet	23.62x13.78x18.19	44.11
701608	110V/60Hz	600W	12.5	Auto	4.33 Double Outlet	24.80x18.11x22.13	66.14
701612	110V/60Hz	600W	25	Auto	4.33 Double Outlet	24.80x18.11x22.13	66.14

ERROR CODES

Code	Meaning
E1	Water level is too low
E2	Humidity sensor failure

TROUBLESHOOTING TIPS

Problem	Possible Causes	Troubleshooting
Indicator off	No power	Check the circuit and recover power supply
	Fuse is burnt	Replace fuse of same specification
	Power switch is off	Start power switch
The supply tank gets no water	No water supply from the pipe	Check water supply valve
	Water inlet solenoid valve is damaged	Replace solenoid valve
	Main control board is damaged	Replace main control board
	Inlet water pressure is not enough	Inlet water pressure shall be 5 kg
Automization indicator is on but there is no spray	Voltage is 5% less than required voltage	Check the voltage
Water flows from the case	Foreign matter in the solenoid valve	Dismantle the solenoid valve to clear foreign matter
Less spray or no spray	Scale in the water box	Clear the water box
	Voltage is too low	Keep normal voltage
	No water in the water tank	Add water to the water tank

MAINTENANCE

MAINTENANCE OF THE WATER TANK

Water should be changed regularly once every 7 days. The automatic computer flushing system helps to minimize dirt and residue remain in the water tank.

CLEAN THE WATER TANK

The water tank should be cleaned regularly once every 30 days. Please remove the electrical plug from the wall socket before changing the water tank to prevent electric shock.

METHOD TO CLEAN:

1. Remove all water from the water tank, using the water outlet (see Fig. 4 on page 4)
2. Open the top cover and remove the tank cover. Use a soft cloth or brush to clean out any impurities and/or scale on the piezo ceramic and in the water tank. Wash out with clean water.
3. Water should not be spilled on the external components and wires to prevent short circuit.
4. Do not use detergent to clean any components of atomizer.
5. Re-install the cover.

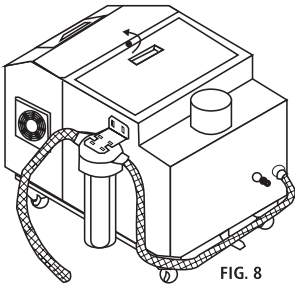


FIG. 8

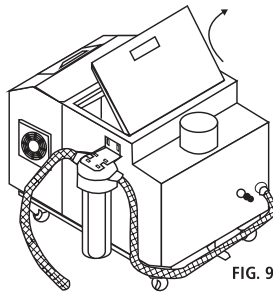


FIG. 9

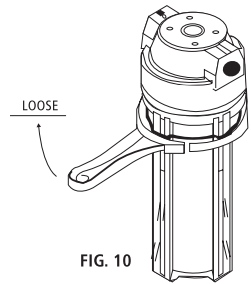


FIG. 10

CLEAN THE FILTER

The filter should be cleaned regularly at least once a month:

1. Unscrew the cover of the filter.
2. Clear the dirt on filter element.
3. Re-install the cover.

AFTER-SALE SERVICE

- The warranty period is one year for the general machine.
- Filter and filter element are consumable materials, not covered by warranty. If the filter needs to be replaced contact Ideal-Air™ and we'll either direct you to the appropriate store for purchase or sell you the proper filter.
- If the machine is not used for more than 48 hours, power supply must be cut off, drain off all the water in the water tank to avoid the water become contaminated and affect the normal use of the equipment.

IMPORTANT

Product not working properly?

**DO NOT return this product
to the store where you
purchased it.**

Contact Ideal-Air™ support directly
at support@ideal-air.com or call

1-877-943-3251

For answers to most common questions and a complete
technical support library please visit www.ideal-air.com



Exclusively distributed by:



Sunlight Supply, Inc.

www.SunlightSupply.com

All design and specifications herein are subject to change without notice for product improvement. Contact Ideal-Air™ for details, updates and other information.