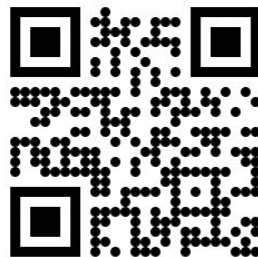




NATUFIA

Natufia[®] Kitchen Garden
**Installation
Guide**

Model version 1.1



[Link to the latest version: https://bit.ly/2V1EpeN](https://bit.ly/2V1EpeN)

Table of Contents

Safety Precautions and Warnings	4
Warnings	4
Important Safety Instructions	4
Child Safety	6
Animal Safety	6
In Case of Emergency Situations	7
Intended Use	7
Specifications / Integration / Clearance details	8
Dimensions / Specifications	8
Specifications	9
Dimensions	11
Requirements before installation	12
When Receiving the Natufia Kitchen Garden	16
Before Unpacking	16
Delivery & Unpacking	16
Delivery	16
Unpacking	16
Foot Adjustment Procedure	17
Contents of the Package	19
Contents of the Natufia Starter Kit	21
Inspection	22
Installation Instructions	23
Water Connection	23
Water Drainage Connection	23
Electrical Connection	24
Installing and Filling the Ceramic cups	24
Turning the Natufia Kitchen Garden on	25
Setting up the Natufia Kitchen Garden parameters from the touchscreen	26
Regulating the water pressure with the valve	28
Sanitation Recommendations	29
Contacts and Support	30

Thank you for choosing the Natufia Kitchen Garden. Natufia Labs aims to provide its customers with the highest quality standards. It is therefore important for us that you have a positive experience using your Natufia Kitchen Garden.

This manual was designed in order to guide you through the main steps of the installation process.

Hard copies of the manual may be ordered by e-mail info@natufia.com.

For further details and questions about the manual, please contact your local Natufia retailer or Natufia Labs customer support by email info@natufia.com or phone:

United States, Canada & territories: +1 561 288 0626

Estonia: +372 5663 0658

United Kingdom: +44 20 3290 2545

When contacting the customer support, you are asked to specify the serial number of your Kitchen Garden. You can find it on the sticker placed on the metal frame behind the water tank front panel (lower area of the machine). Remove the front water tank panel and you will see your serial number on the side of the frame.

1 Safety Precautions and Warnings

You must carefully read through this user manual before installing and using the Natufia Kitchen Garden. Although this appliance does not require any particular technical or botanical knowledge, it is not intended to use by people with limited physical, sensory, or mental abilities, or without experience and knowledge of it, unless they are supervised or instructed in its use by a person responsible for their safety.

1. Read these instructions.
2. Keep these instructions.
3. Read all the warnings.
4. Follow all the instructions.

1.1 Warnings

Warning signs used in this manual:



The lightning flash with arrowhead symbol within an equilateral triangle is intended to alert the user to the presence of uninsulated "dangerous voltage" within the product's enclosure that may be of sufficient magnitude to constitute a risk of electric shock to persons.



The exclamation point within an equilateral triangle is intended to alert the user to the presence of important operating and maintenance (servicing) instructions in the user manual.

WARNINGS:



WARNING: ELECTRIC SHOCK HAZARD

All service requiring access to non-insulated components must be performed by qualified service personnel. Failure to heed this warning may result in severe electric shock.



WARNING: ELECTRIC SHOCK / FIRE HAZARD

To reduce the risk of fire or electric shock, do not expose this appliance to rain or moisture.



CAUTION: ELECTRICAL SHOCK HAZARD

Disconnect this appliance from electrical power before performing any maintenance or service.



WARNING: Never start using a damaged machine. Servicing is required when the appliance has been damaged in any way or if it has been dropped.



WARNING: Use caution when moving the cart/machine combination to avoid injury from tip-over.



CAUTION: The contents of the nutrient or other packed liquid inputs is harmful if swallowed and may cause irritation if in contact with the skin or eyes.

1.2 Important Safety Instructions

For your safety and the proper operation of the Natufia Kitchen Garden, please follow these safety guidelines. Carefully read through this manual before installing and using the Natufia Kitchen Garden.

- This appliance is designed to be operated by adults.
- The water from your Natufia Kitchen Garden is not suitable for drinking.
- Keep the seed pods, nutrients, pH bottles, and calibration liquids in a safe and dry storage area, away from direct sunlight and heating source; at room temperature, and out of children's reach.

When using Natufia appliances basic safety precautions should be followed, including the following:

- Use the Natufia Kitchen Garden only for its intended purpose as described in the manual.
- Be familiar with the appliance's use, limitations, and associated restrictions.
- Operating instructions must be read and understood by all persons using or installing the Natufia Kitchen Garden.
- The Natufia Kitchen Garden must be grounded. Connect only to a properly grounded outlet.
- DO NOT block any ventilation openings.
- DO NOT submerge this appliance in water.
- DO NOT direct a water jet or steam jet at this appliance, or at any control panel or wiring.
- DO NOT splash or pour water on, in, or over any controls, control panel, or wiring.
- DO NOT use corrosive chemicals in this appliance.
- DO NOT store this appliance outdoors.
- DO NOT use this product near water (e.g. wet basements, pool area etc.)
- DO NOT operate this appliance if it has a damaged cord or plug, if it is not working properly, or if it has been damaged or dropped.
- Do NOT immerse the cord or plug in water, keep the cord away from heated surfaces, and do not let the cord hang over the edge of a table or counter.
- Protect the power cord from being walked on or pinched particularly at plugs, and the point where they exit the apparatus.
- Only qualified service personnel should service Natufia Kitchen Garden. The Manufacturer shall not be held liable for damages that may arise from procedures carried out by unauthorized persons.
- Installation and re-installation should be done by a certified professional in accordance with the manufacturer's instructions.
- Only use the parts or accessories specified by the manufacturer.
- For good sanitation and functioning, the Natufia Kitchen Garden and its accessories must be cleaned on a regular basis. See Chapter Maintenance.
- Unplug the power cord from the wall outlet and disconnect the water main when the machine is not in use for more than two months.

Cautions:

- Ensure that the Natufia Kitchen Garden is positioned, set up, and connected in accordance with the instructions in this user manual and/or the certified installer.
- Place the Natufia Kitchen Garden on an even floor surface.
- Leave enough space (>10 cm / 3.9") on top of the machine for adequate ventilation.
- If the Natufia Kitchen Garden has been exposed to temperatures below 5° C (40° F), leave it at room temperature and wait until the machine has regained normal room temperature before it is connected to the mains and switched on.
- Do not attempt to open or fix the machine engine, computer, pump, and electronic systems yourself. These can only be opened and repaired by service personnel certified by the manufacturer. The manufacturer shall not be held liable for damages that may arise from procedures carried out by unauthorized persons.
- Do not strike the glass with hard or pointed items.

- The product registration number is placed on the steel frame structure on the back of the appliance and on the metal frame behind the Water tank front panel.

Safety Precautions during Operation:

- Contaminated items must not be present in the Natufia Kitchen Garden.
- The machine can be switched off completely by disconnecting it from the electrical socket.
- Follow the procedures to turn off and on properly the Natufia Kitchen Garden. To prevent the spread of fire, always keep candles or other open flames away from Natufia Kitchen Garden.
- Keep the Natufia Kitchen Garden Glass door closed as often as possible.
- Do not sit, hang or stand on the open door, nursery, sliding trays, or touchscreen display. Doing so will damage the machine and is a tipping hazard.
- Do not use products containing chlorine (chlorine bleach, hydrochloric acid, etc.), even if diluted, to clean the steel parts.
- Do not place anything on top of the Natufia Kitchen Garden and respect the minimum space requirements for ventilation.
- When moving your Natufia Kitchen Garden, always empty the water tank. Water may cause issues if left in the unit while it is being moved and slosh out of the reservoir creating a slip hazard.

1.3 Child Safety

- This appliance is designed to be operated by adults.
- Keep all packaging materials away from children and please dispose of them in a responsible manner.
- The water from your Natufia Kitchen Garden is not suitable for drinking.
- Keep your seed pods, nutrient and pH bottles, pH calibration solutions, as well as any other tools or components, in a safe, dry storage area away from direct sunlight and heating source; at room temperature, and out of the reach of children.
- This appliance can be used by children aged from 8 years and above and persons with reduced physical, sensory or mental capabilities or lack of experience and knowledge if they have been given supervision or instruction concerning use of the appliance in a safe way and understand the hazards involved. Children shall not play with the Natufia Kitchen Garden. Cleaning and using shall not be carried out by children without supervision.

CAUTION: The contents of nutrient and pH micro tanks is harmful if swallowed and may cause irritation if in contact with the skin or eyes.

1.4 Animal Safety

- Keep animals away from the unit and from all packaging materials.
- Keep your seedpods, nutrient and pH bottles, pH calibration solutions, as well as any other tools or components, in a safe, dry storage area away from direct sunlight and heating source; at room temperature, and out of the reach of animals.

1.5 In Case of Emergency Situations

- Unplug the appliance from the electrical socket, if possible.

- In case of a fire, immediately pull the nearest fire alarm pull station; collect the closest extinguisher; discharge the extinguisher within its effective range using the P.A.S.S. technique (pull, aim, squeeze, sweep). Back away from an extinguished fire in case it flames up again. Evacuate immediately if the extinguisher is empty and the fire is not out.

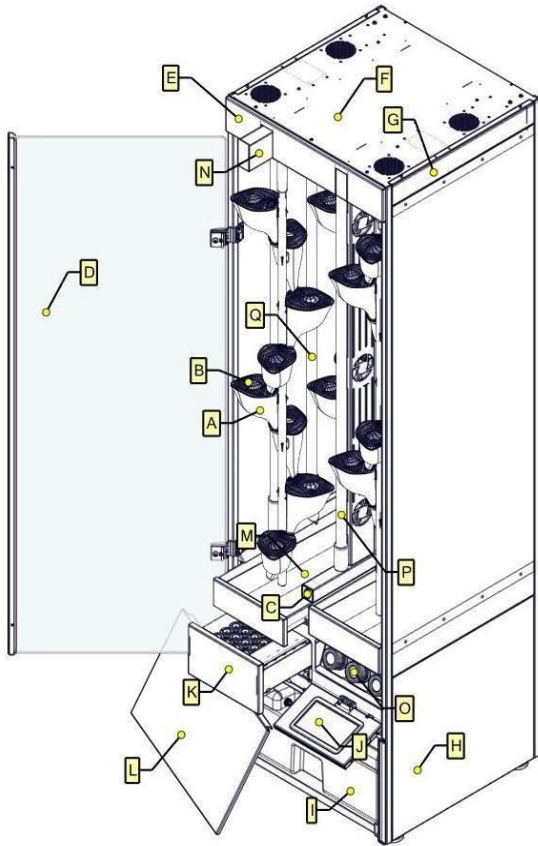
CAUTION: In case of a fire, some possible emissions or leakage of hazardous substances may be toxic and harmful if inhaled and may cause irritation if in contact with the skin or eyes.

2 Intended Use

The Natufia Kitchen Garden is intended exclusively for indoor use in a dry environment for growing salads, herbs, and microgreens. The Natufia Kitchen Garden is designed to be used at room temperature not exceeding +82° F / +32° C and not lower than +64° F / +18° C.

3 Specifications / Integration / Clearance details

3.1 Dimensions / Specifications



- A. Ceramic cup
- B. Ceramic lid
- C. Natufia leaf logo
- D. Glass door
- E. Front Top Cover
- F. Top Roof Cover
- G. Side Upper Wall
- H. Bottom Side Wall
- I. Water tank
- J. Touchscreen display
- K. Nursery
- L. Water tank front cover
- M. Main chamber bottom
- N. Sliding Tray
- O. Nutrients / pH tanks
- P. LED Middle Group
- Q. LED Side Group

3.2 Specifications

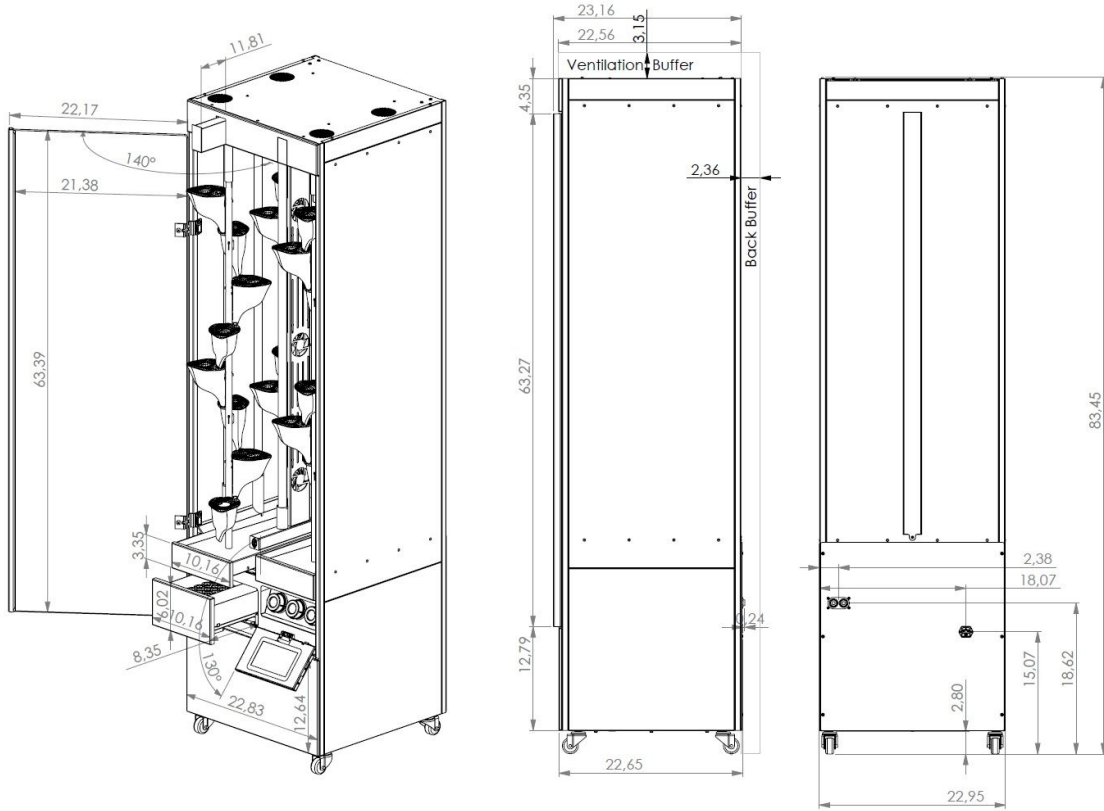
	United States	Europe
DIMENSIONS	L 22.95 x W 23.16 x H 83.45"	L 583 x W 589 x H 2120 mm
WEIGHT		
Standalone weight	352.7 lbs	160 kg
Operational weight	595.2 lbs	270 kg
MATERIALS	Stainless steel, glass, porcelain, HDPE, PET	
POWER SUPPLY	Input 100-240 V, 50/60 Hz, US power plug, EU or UK power plug	

ENERGY USAGE	
Average total annual consumption	1,500 kWh
Average LED lamps annual consumption	1,300 kWh
Power consumption in off mode	25 W
Power consumption in on mode	325 W
Main fuse	3 A
Internal voltage	24 V
WATER USAGE	
Monthly water consumption	52.8 Gallons / 200L
Tank size	8.8 Gallons / 40L
Water / Drainage connections	Machine pipe Ø M ¾
	Converter Ø F 1/2 BSP
PLANT GROWTH MAIN DATA	
Ext. Temperature	64°F - 82°F / 18°C - 32°C
Ceramic cups for plants	32
Microgreen racks	32
Nursery capacity	40 seed pods

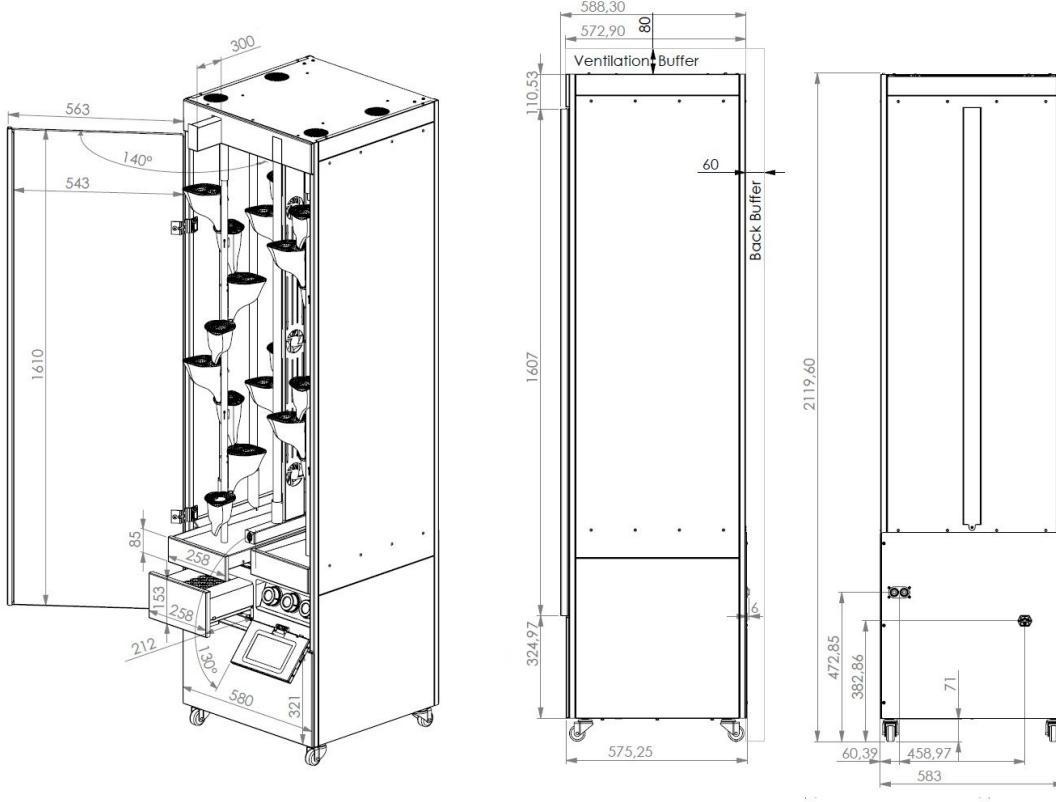
<i>Nutrient consumption</i>	<i>Average 1 bottle refill every 3 months</i>
<i>Plant growth time</i>	<i>10 to 140 days</i>
CONTROL & ALERT SYSTEMS	
<i>Remote (User / Service Center)</i>	<i>Cloud access through WiFi connection</i>
<i>Unit</i>	<i>Touchscreen</i>
INSTALLATION OPTIONS	
<i>Machine delivered with wheels (default) or feet</i>	<i>Upon final order</i>
<i>Door</i>	<i>Right or left opening upon final order</i>
<i>Plants or Microgreens</i>	<i>Upon final order</i>
MAINTENANCE	
<i>Cleaning</i>	<i>See recommended schedule in Chapter Maintenance of the User Manual</i>
<i>Noise Emission</i>	<i>~ 55 dB</i>
OTHER	
<i>Ventilation</i>	<i>Silent. Inside fans. From the top</i>
<i>Indoor music</i>	<i>Playlists available: nature sounds, classic...</i>

3.3 Dimensions

Imperial standard (inches)



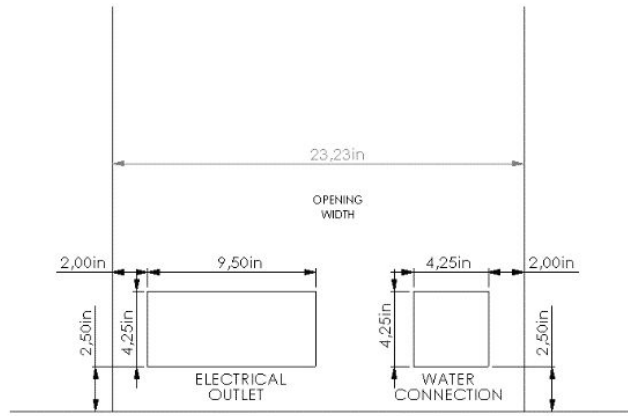
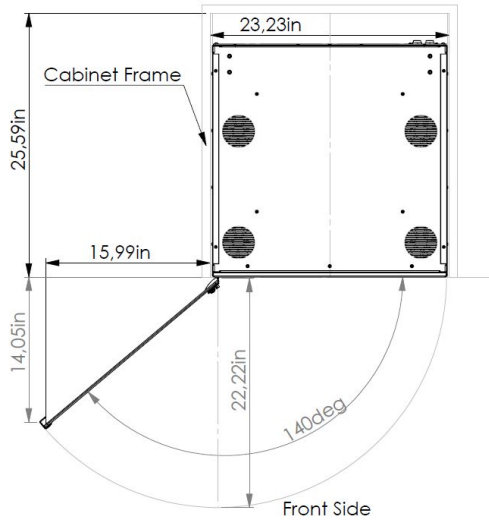
Metrics standard (mm)



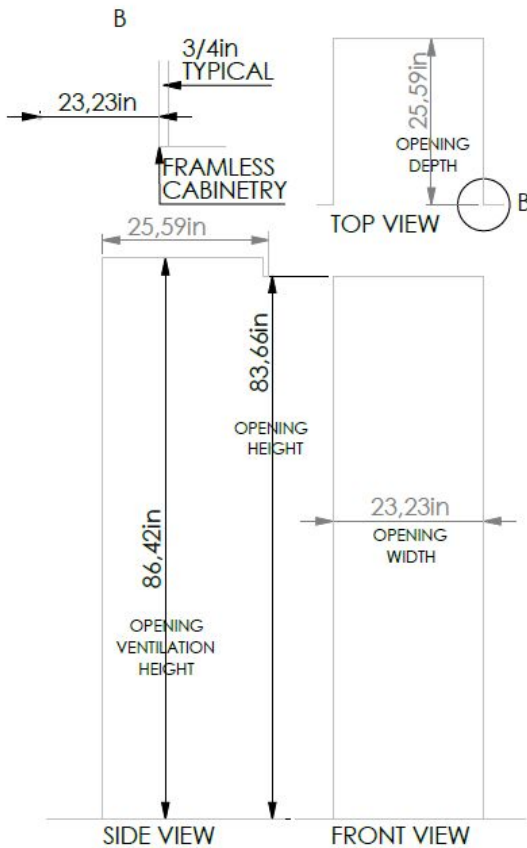
4 Requirements before installation

INTEGRATION / INSTALLATION CLEARANCE

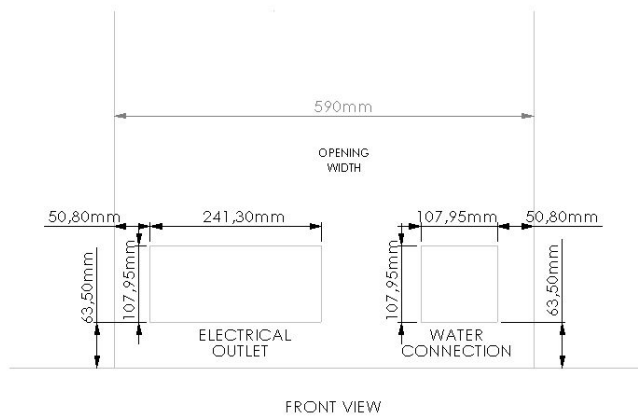
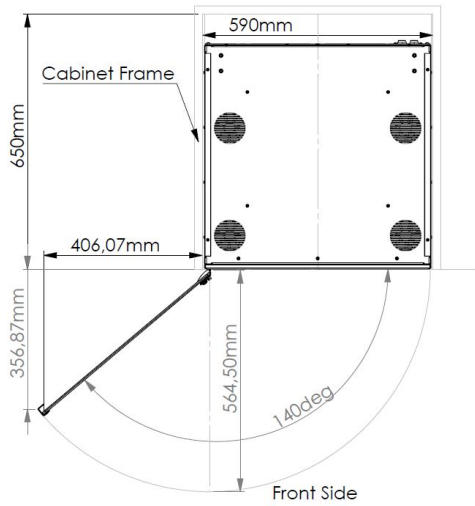
Imperial standard (inches)



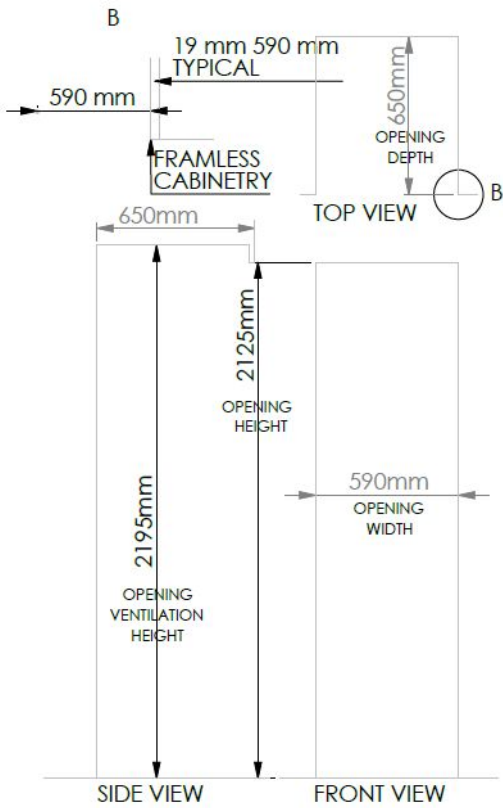
Machine Wheels Configuration



Metrics standard (mm)



Machine Wheels Configuration



Before receiving the Natufia Kitchen Garden, make sure to have the following:

- Plumbing requirements:
 - Water connection for the cold water line with water pressure between 30 and 120 psi.
 - Water main connection (female) 1/2".
 - Drainage connection: sewage pipe 32mm, or 40mm, or 50mm.

- Power supply requirement
 - Input 100-240 V 50/60 Hz. AC only 15 or 20 amps fused (or circuit breaker).
 - Grounded electrical supply.

WARNING: Improper connection of the equipment-grounding conductor can result in a risk of electric shock. Consult with a qualified electrician or service representative if you are in doubt whether the appliance is properly grounded. Do not modify the plug provided with the appliance, if it will not fit the outlet, have a proper outlet installed by a qualified electrician.

- Wireless network connection
 - Wifi network access and password.

5 Reception and unpacking of the Natufia Kitchen Garden

NOTE 1: Some locations do not permit discarding of packing material in the street. Please check the municipal regulations at your location and consult your retail operator for more information about your delivery and the recycling of your packing material.

NOTE 2: DO NOT discard any packing materials until you have inspected the appliance.

NOTE 3: Manufacturer shall not be held liable for damages that may arise to the unit, any property, persons or animals during delivery, unpacking, nor installation.

5.1 Before Unpacking

Make sure there is enough room to unpack the machine.

Dimensions of the delivery package:

- 33.1 x 30.7 x 87.5" /

W 840 x L 780 x H 2221 mm

- Gross weight 250 kg / 552 lbs

NOTE 1: Do not attempt to unpack the Natufia Kitchen Garden alone. The package weighs approx. 250 kg / 552 lbs and the machine itself 160 kg / 352.7 lbs. At least three persons are needed to safely unpack and move the machine.

Consider unpacking the device in the same room or close to where it is going to be installed. The machine is 2.04 m / 80.43" high, so it might not fit through doorways without tilting.

CAUTION: Use caution when moving the machine with a cart or furniture dolly to avoid injury from tip-over. Always use a proper cart or furniture dolly to move the Natufia Kitchen Garden.

NOTE 2: Cover the floor before moving the Natufia Kitchen Garden. Delicate floor surfaces may be damaged if the machine is pushed along it.

5.2 Delivery & Unpacking

5.2.1 Delivery

Specifics of the delivery and/or installation depend on your country. Consult your local Natufia reseller first for further details.

Your Natufia Kitchen Garden is delivered carefully packed in a hard carton box that can resist the shocks from transportation and ensures its safe arrival at your destination.

5.2.2 Unpacking

The unit will arrive in an upward position and the delivery company will place it at a reasonably short distance from its dedicated final location to be ready for installation. The unpacking procedure will likely happen either:

A - Directly in the delivery truck, with one side of the packing as a protective ground base for the machine at a horizontal position

or

B - At the destination location, using:

- An area clear by 1.5 m / 5 ft around the machine
- An area not far from the final placement of the Natufia Kitchen Garden
- A protective fabric or plastic between the floor and the machine in order not to damage the machine nor the floor during the feet attachment operation.

IMPORTANT NOTE 1: The machine should never be in contact with the floor surface before being lifted up to its vertical position on its feet/wheels. Should the foot adjustment procedure be done inside the destination location, make sure the floor area is protected in order to avoid damages or scratches to the machine and floor.

Unpacking procedure:

NB! The unit is received in an upright position attached to a wooden pallet.

1. Detach the straps holding the box.
2. Open and remove the carton box covering the unit. No tools are needed.

3. Remove boxes containing the ceramic cups and lids, cords, the nutrient and pH bottles, etc. from the sides of the machine.

NB! Keep the foam protecting the corners of the unit while moving it.

NB! Always have at least three persons available to move the machine up or down.

4. Place the unit down with the glass door facing upwards. The wooden base / pallet is still attached to the unit.

NB! Do not unseal the glass door before the machine is in place/ does not require any more lifting.

NB! Avoid forklifts, as it will seriously damage the machine.

NB! Keep children and all other people not directly involved in the operation more than 2 meters / 7 feet away from the machine.

5. Unscrew the bolts attaching the unit to the wooden base / pallet.

6. Remove the wooden base from the packaging

5.2.3 Feet Attachment Procedure

Feet Attachment Procedure (while the machine is still in a horizontal position)

1- Wheels: Advised for professional use. Machine is delivered with four wheels, height from the ground 66.90 mm / 2.64".

1. Screw the four wheels.
2. Make sure that the wheels are locked before lifting the machine up.



2- Feet: Machine standing on four feet. The feet height is 12.4 mm / 0.49".

3- Custom Made: Customized solution for feet/wheel heights must be ordered at time of reservation. The technical team will have either pre-installed the customized feet or provided detailed instructions directly posted on the machine.

Lifting the Natufia Kitchen Garden to its vertical, upright position:

NB! Always have at least three persons available to lift the machine.

NB! Make sure you have not yet equipped the machine with ceramic cups, accessories, or consumables.

NB! Do not unseal the glass door before the machine is in place/ does not require any more lifting.

NB! Avoid forklifts, as it will seriously damage the machine.

NB! Check that the designated floor space is evenly flat. Any change in floor levels can affect the proper water cycle flows.

NB! Make sure the feet are solid and stable.

NB! Make sure the floor is not wet or slippery.

1. Lift the Natufia Kitchen Garden vertically.
2. Move the unit near the location where it will stand permanently.

NB! Keep children and all other people not directly involved in the installation process more than 2 meters / 7 feet away from the machine.

Once the machine is up in its vertical position:

1. Make sure it is at a reachable distance from the planned electrical and water connections.
2. Look and test the stability of the feet/wheels.
3. Carefully remove the protective stickers covering the external metal parts of the machine. Do not use any sharp tools, as these might damage the metal surface of the Natufia Kitchen Garden.
4. Unseal the glass door.
5. Confirm that the door opens and closes properly and tightly.
6. Inside the main chamber are several zip ties to provide stability during transportation. Remove and discard them.



CAUTION: Health and safety regulations vary by jurisdiction. Prior to installation, the operator must be aware and adhere to all local and state codes, including proper installation, plumbing, and electrical connections, as well as any health certificates that may be required when growing food in your establishment. Natufia Labs is not liable for improper installation or use of this product, or failure to adhere to local regulations.

7. Make sure the main chamber sliding trays glide smoothly. Do not use any force. Make sure the nursery drawer glides smoothly. Do not use any force.

5.3 Contents of the Package

Natufia Kitchen Garden is delivered with the following attachments and accessories: see appendix 1.

5.4 Inspection

Check your Natufia Kitchen Garden for possible shipping damage. Never connect nor plug in a damaged machine. Please contact us immediately via our customer support service number or support@natufia.com if you suspect your Natufia Kitchen Garden has been damaged during transportation.

1. Make a full inspection of the Natufia Kitchen Garden and all its components.
2. If any freight damage is present, a freight claim must be filed immediately with the shipping/transportation company. Please document (pictures) any visible damages.
3. Freight damage is not covered under warranty.
4. Check to ensure that all attachments and accessories listed in the appendix 1 are included.

6 Installation Instructions



Installation of the Natufia Kitchen Garden should be performed by a certified Natufia professional.

6.1 Water Inlet Connection

WARNING: Both water drain and water inlet connections in the back of the machine look similar. Make sure to read the labels on the machine carefully to avoid faulty installation.

IMPORTANT: let water run through the pipes (to wash out any material which might block the inlet/outlet of the machine) before connecting them to the unit.

Connect your Natufia Kitchen Garden to cold water from your city main supply.

- Water line should supply water pressure between 30 and 120 psi to ensure the proper functioning of the Natufia Kitchen garden.
- The water connection is located at the rear of the unit.
- The water main connection is (female) 1/2" BSP.
- The machine is delivered with two 2-m / 6,5-ft highly resistant water hoses. One of them is for the water main connection and the other for drainage. Upon request, the machine can be delivered with 10-m / 33-ft long hoses.

The hose connects effortlessly to the kitchen pipe system via a quick fit connector.



1. Push the hose into the connector.
2. Test the connection by pulling the hose.
3. Place the water filter between the water main and the Natufia Kitchen Garden.

The machine is intended to be permanently connected to the city main water supply and not connected by a hose set.

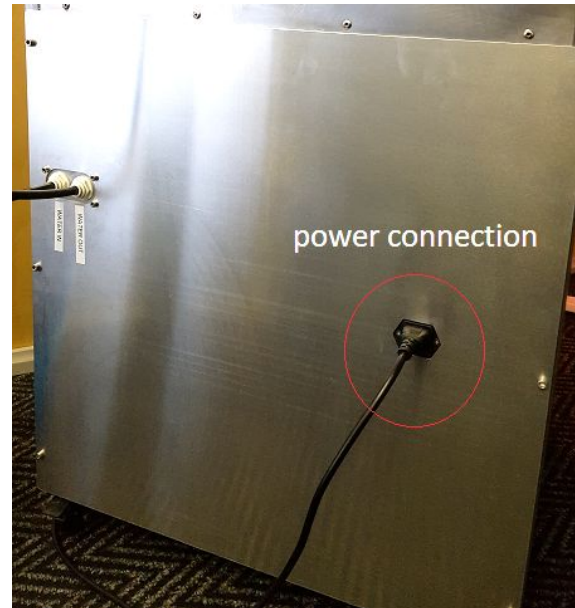
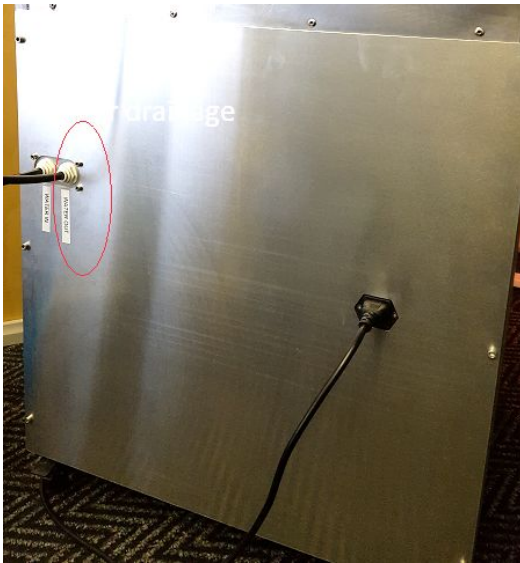
6.2 Water Drainage Connection

WARNING: Both water drain and water inlet connections in the back of the machine look similar. Make sure to read the labels on the machine carefully to avoid faulty installation.

- The water drain is located at the rear of the unit and comes with a standard 9.5 mm (3/8") connection.
- The machine is delivered with two 2-m / 6,5-ft highly resistant water hoses. One of them is for the water main connection and the other one for drainage. Upon request, the machine can be delivered with 10-m / 33 ft long hoses.
- This hose can be connected to any 25 mm /0.98" standard drainage pipe system by a special 9.5 mm/25 mm hose connector that is provided with the Natufia Kitchen Garden.

The hose connects effortlessly to the kitchen water pipe system via a quick fit connector.

1. Push the hose into the connector.



2. Test the connection by pulling the hose.

To avoid complex and expensive plumbing work, the Natufia Kitchen Garden is conveniently fitted with an inbuilt pump system that enables you to connect the machine to a drainage system that can be located up to two floors above the room where the machine is installed.

The unit is intended to be permanently connected to the city water drainage and not to a hose set.

NB! All plumbing work required to install the Natufia Kitchen Garden should be done by a certified professional plumber prior to the installation. Manufacturer shall not be held liable for damages that may arise from procedures carried out by third-party personnel.

6.3 Power Connection

Always complete the water connection before connecting power.

Always connect the Natufia Kitchen Garden to a power socket with a grounding plug to avoid electrical defects or shocks.

- Natufia Kitchen Garden requires a standard input 100-240 V 50/60 Hz power outlet to plug into.
- The power connection is located at the rear of the unit.
- The machine is delivered with a standard 2-m / 6,5 ft power cable, which can be replaced with a longer standard power cable.
- Natufia Kitchen Garden is supplied with a US, EU, or British standard plug depending on the area to which it is delivered.

NOTE 1: Electricity can be dangerous, and a defective plug inserted into a power socket could result in a serious safety hazard. It is not recommended to connect the Natufia Kitchen Garden via an extension cord.

NOTE 2: Consult a qualified electrician or service agent if the grounding instructions are not completely understood, or if doubt exists as to whether the appliance is properly grounded.

6.4 Installing and Filling the ceramic cups

NOTE 1: Install all the ceramic cups before turning on the Natufia Kitchen Garden.

Natufia Kitchen Garden accommodates 32 cups, which are delivered with the machine. The cups have two components: a ceramic cup and ceramic lid.

To install:

1. Unpack the ceramic cups carefully.
2. Fill the ceramic cups with the roots filters as shown below.



3. Pull out the sliding tray.
4. Slide the hook on the back of the cup into the hole in the support column of the sliding tray. Start from the top cup of a support column and continue the installation of the cups down, until 8 ceramic cups are placed on each column. The cups must be placed in spiral.



IMPORTANT: Make sure the ceramic cups are securely hooked to the support column.

5. Cover the ceramic cup with the ceramic lid.

6. Fill and place all 32 ceramic cups in their places to ensure proper water flow during watering.

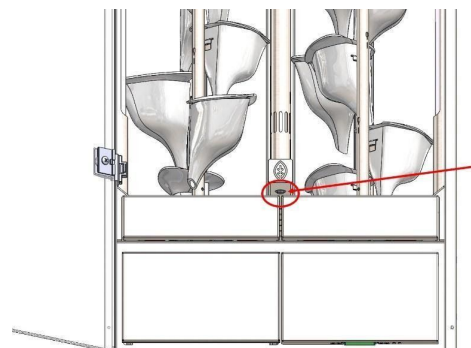
NOTE 1: Ceramic cups are fragile – please handle with care.

NOTE 2: Additional ceramic cups and root filter cloths can be ordered from the Natufia Labs online store at www.natufia.com.

6.5 Switching on the Natufia Kitchen Garden

Before you get started: Make sure your machine is properly connected to the water supply and drainage, and that the machine is in its final position before switching it on.

1. Switch on the Natufia Kitchen Garden from the power switch located inside the Natufia Kitchen Garden Main chamber below the Natufia leaf logo (see image below).



NB! The Natufia Kitchen Garden takes 3 minutes to complete its starting program.

2. Close the glass door.

NOTE 1: The power switch also works as a hard restart for the machine.

NOTE 2: Avoid turning the switch on and off repeatedly.

Initial setup

To do the initial set up, you will need the following information:

- Your WIFI network and password
- Your Product Registration Number (a 13-digit number) that you can find behind the front water tank panel or on the back of the machine.

The Natufia Kitchen Garden main touchscreen display is located to the right of the nursery. Flip down the panel; the Touchscreen display will automatically turn on once you touch it the first time.



1. Select “**SETTINGS**”;
2. Select “Continue” in the pop-up window after reading the warning message.
3. Select the Volume units, Temperature units and Time. Select “Next”.
4. Select your current Time Zone. Select “Next”.
5. Select “Continue” in the pop-up after reading the warning message.

6. Enter the Product Registration Number, your name and email address, and details about your unit location (city, country and zip code). Then select Next.

7. Next screen:

- o Select the machine purpose: Professional or Personal use;
- o Machine setting: indoor/outdoor settings;
- o Are there any plants already in the machine: If not, select First time use / if yes, select Set up for machine reconnection;
- o Growing mostly: Herbs / Salads / Microgreens / Fruits and Vegetables;
- o Do you want to receive alerts? Yes or No;
- o Do you want to receive information about plants and seeds from Natufia online shop: Yes or No.
- o Select Next.

8. Refill the nutrient and pH micro tanks.

- o 8.1. The Natufia Kitchen Garden nutrient and pH micro tanks are located on the right side of the machine, behind the Touchscreen panel.





NOTE 1: Shake the nutrient bottles before filling up the micro tanks.

NOTE 2: Wear gloves and avoid contact with the skin or eyes.

8.3. Open the cap of the first micro tank (Grow / Green Color).

8.4. Open the cap of the nutrient bottle with the same color code (Nutrient Grow green).

8.5. Fill up the micro tank until OK appears on the screen. Close the cap of the bottle. Dispose of bottle as instructed by the manufacturer.

8.6. Close the cap of the micro tank Grow.

8.7. Repeat the steps from 8.3. to 8.6 with the Bloom / purple Nutrient Bloom bottle in tank B of the Natufia.

8.8. Repeat the steps from 8.3. to 8.6. with the orange pH- bottle with the pH- tank of the Natufia.

9. Select Next after reading the confirmation message.

10. After reading the disclaimer message, if you accept it, please select "I Agree". Select Next.

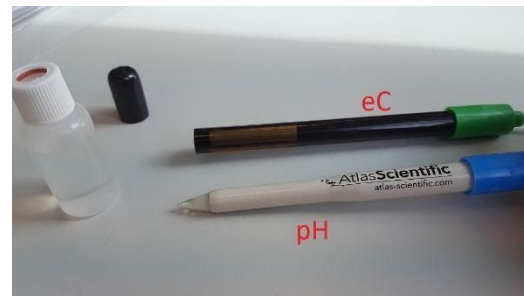
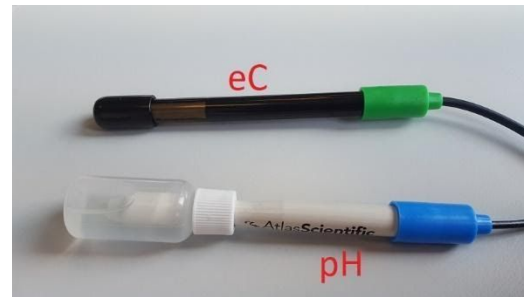
11. WIFI set-up: Enter the network name and WIFI password. Select Next.

12. Once the internet connection is confirmed, select Next.

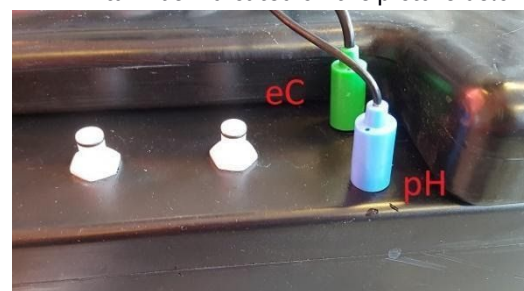
13. End of the set-up. Select Next. Select Next after reading the disclaimer message.

14. Select from the Main Menu "Growing Profiles", then select "Nursery Only" if you have no plants already growing in the unit; if you do, select "Standard"

15. Open the front panel of the unit.
16. Carefully pull out the water tank to get access to the eC and pH sensors. See below.
17. Unwrap the sensors and remove the soaker bottle the pH sensor (blue/white color) and remove the rubber cap from the eC sensor (green / black color).



18. Insert the pH and ec sensors into the water tank as indicated on the picture below.



NOTE 1: Natufia Kitchen Garden can function without a WIFI connection. However, to experience the full potential of this appliance, we highly recommend connecting the machine to your local WIFI network.

With an Internet connection, you can:

- Control Natufia Kitchen Garden's main functionalities and sensor reporting remotely from any of your computers or mobile devices.
- Automatically get the latest software updates installed for your Natufia Kitchen Garden.
- Have your Natufia constantly and remotely monitored by our technicians and have

service alerts automatically sent to the Natufia Service Center in Tallinn, Estonia. This will allow our technicians to alert you and/or our local maintenance service provider in case the machine is identified as not working properly, often some time before you may even notice anything yourself.

To connect to a WIFI network, you must have access to a wireless access point, such as a wireless router, and an active broadband Internet connection, such as DSL or a cable modem.

6.6 Regulating nursery water pressure

The water pressure coming in the nursery must be regulated.

On the display screen:

1. Select **“SETTINGS”**; select **“Technical Maintenance”**
2. Select **“Continue”** in the pop-up window after reading the warning message.
3. Open the nursery drawer so you can see the drainage hole in the back.
4. The inlet valve is located under the nursery as shown **in the picture** below.

5. Activate the **“Manual Controls”**.
6. In the section **“Inlet Valves”**, select **“Nursery”**. You should see water filling the Nursery.
7. Verify that the pressure is adjusted correctly. In case it splashes too much, reduce the water pressure by slightly closing the valve.

Make sure that the water level in the nursery drawer fully covers the small drainage opening without overflowing to the main drainage pipe. In case the water overflows into the main drainage pipe, decrease the water pressure by slightly closing the valve. In case the water does not cover the small drainage opening, increase the water pressure by slightly opening the valve.



8. Deactivate the **“Manual Controls”** by selecting **OFF** and return to **“Main Menu”**.

7 Contact and Support

Support:

- 1 – Contact your local retail operator
- 2 – Contact us directly

By email:

support@natufia.com

By phone:

The United States, Canada, and territories: +1 561 288 0626

Estonia: +372 5663 0658

United Kingdom: +44 20 3290 2545

Headquarters:

Natufia Labs PLC
Värvi 5, Unit C 216
10621 Tallinn, Estonia
info@natufia.com

Natufia is a registered trademark of Natufia Labs Ltd.

Appendix 1 - Standard packing list content

Box #0 1 NATUFIA KITCHEN GARDEN

- including 1 Water filter
- 4 long black pipes used for yearly full maintenance
- 1 Set of 4 wheels

Box #01 1 installation box

- 1 Installation guide
- 1 Power cord
- Water connection including
 - 1 1/2 inch male thread to 10mm diam pipe connector
 - 1 45mm Long piece of 10mm plastic pipe connected to a L-type connector
- Drainage fittings
 - 1 50mm
 - 1 40mm
 - 1 32mm

Box #02 1 Welcome Natufia box

- including 1 Welcome Letter
- 1 Packing list
- 1 Natufia Certificate / Warranty
- 1 Quick User Guide
- 1 User Manual

Box #03 8 Ceramic cups

Box #04 8 Ceramic cups

Box #05 8 Ceramic cups

Box #06 8 Ceramic cups

Box #07 24 Ceramic lids

Box #08 11 Ceramic cups

3 Ceramic lids

Box #09 1 Starter-Kit bottles

- including 1 Nutrient bottle Grow 1L
- 1 Nutrient bottle Bloom 1L
- 1 pH regulator bottle 1L
- 1 All purpose organic cleaning liquid
- 1 Water system cleaning liquid - Florakleen - 1L

Box #10 1 Starter-Kit seedpods

- including 1 "Discover" box of 40 seedpods
- 1 White filter cloths (40 units)
- 1 Seedpod baskets (40 units)

IMPORTANT:

- Items left post installation of the unit from the installation box (box #1) can be discarded in a recycle trash bin.
- Documents from the Welcome box (box #2) shall be safely stored with your Natufia Kitchen Garden invoice and the signed delivery confirmation.
- 4 long black water pipes and the Florakleen bottle are used for the yearly maintenance water system cleaning. They shall be stored out of reach of children. See Chapter 7 of the User Manual.
- 3 Ceramic cups and 3 Ceramic lids have been shipped as spare parts (from the box #8). They shall be stored out of reach of children.
- The remaining items from the Starter-kit (boxes #9 and #10) shall be stored out of reach of children. They will be used for the next harvest. See the User Manual.